

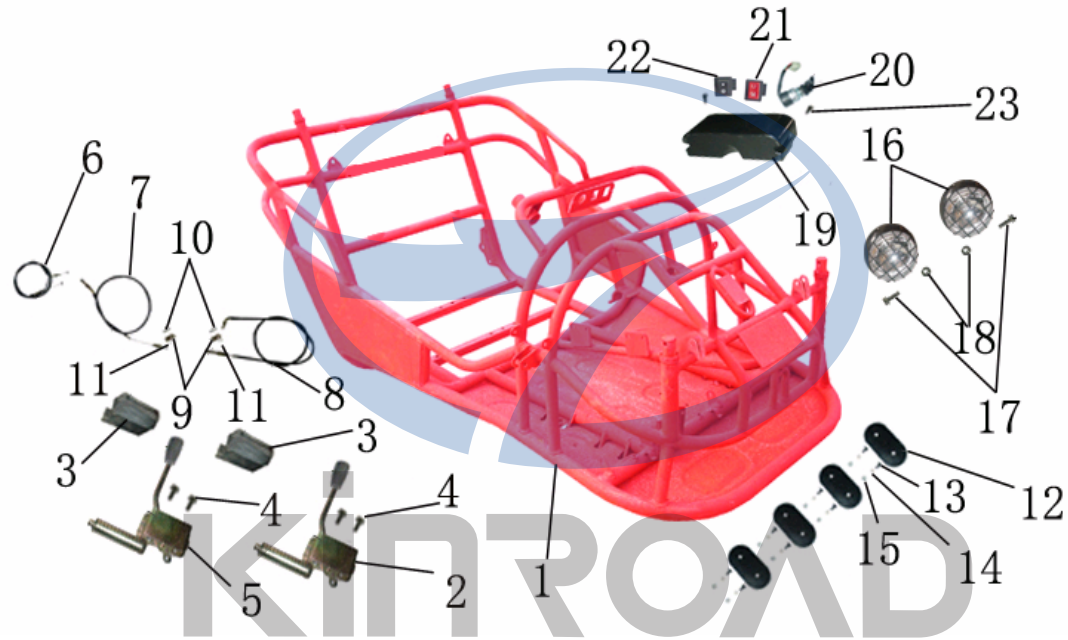
PARTS CATALOGUE

XT150GK-2C



Kinroad xintian Motorcycle Manufacture co., ltd

F-01

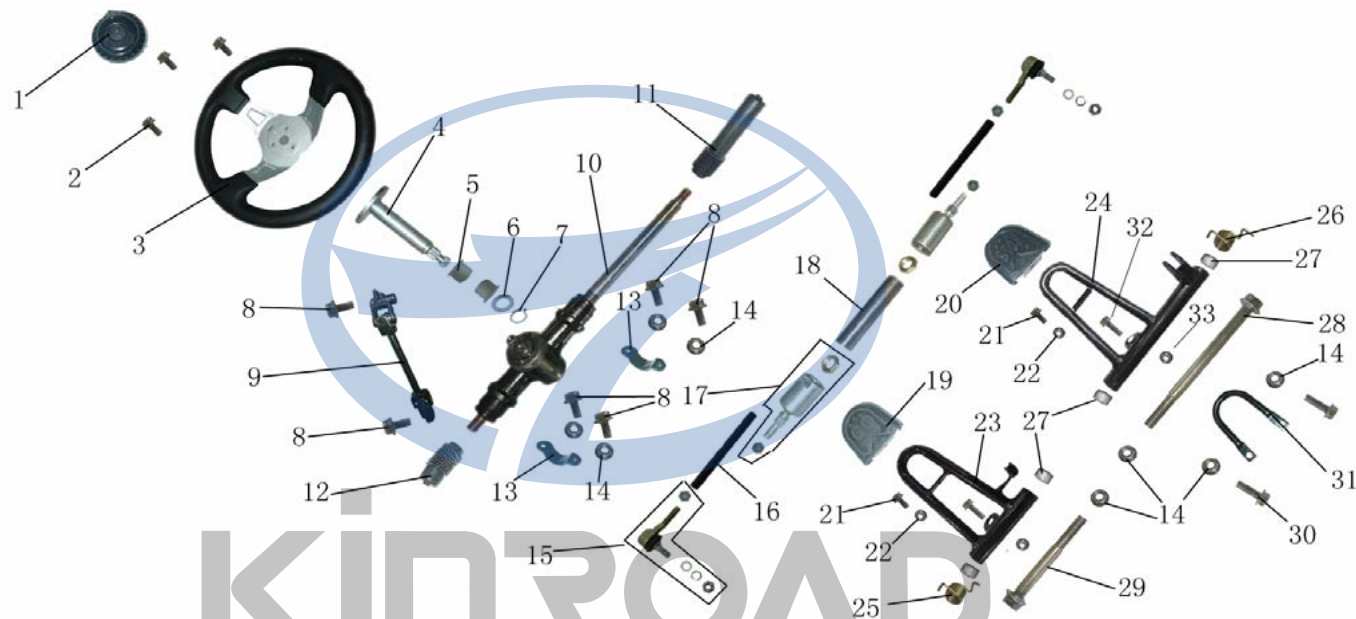


序号	功能码	中文名称	英文名称	数量	备注
Ref. No	Function Code	Chinese Description	Part Name	Reqd. No.	Remark
1	KA2C1010002	车架组件	FRAME COMP.	1	
2	KA101330030	倒档手柄	HANDLE BAR, BRAKE&REVERSE	2	
3	KA003400000	倒档器_(手刹)手柄套	COVER LEVER	2	
4	GB5787-86	六角法兰螺栓 M8×16	BOLT, FLANGE M8×16	4	
5	KA101340030	手刹手柄	SPRING CABLE	2	
6	KA106220000	油门线	CABLE COMP. THROTTLE	1	
7	KA106210000	手刹线	CABLE COMP. PARKING BRAKE	1	
8	KA106230000	倒档线	CABLE COMP. REMERSE	1	
9	KA106220100-1	支架	BRACKET	2	
10	GB/T882-86	B型销轴	PIN	2	
11	GB/T91-86	开口销 1.6×16	PIN 1.6×16	2	
12	KA003330000	脚踏橡胶板	FOOT PLATE. RUBBER	4	

13	KA003330100	脚踏橡胶板螺钉	BOLT, FOOT PLATE. RUBBER	8	
14	KA003330200	脚踏橡胶板垫片	WASHER, FOOT PLATE. RUBBER	8	
15	KA003330300	脚踏橡胶板螺母	NUT, FOOT PLATE. RUBBER	8	
16	KA2C4100000	大灯组件	HEAD LAMP ASSY.	2	
17	GB5787-86	六角法兰螺栓 M8×45	BOLT, FLANGE M8×45	2	
18	GB6187-86	六角法兰自锁螺母M8	NUT FLANGE M8	2	
19	KA003080000	开关下盖		1	
20	KA004010000	点火锁	KEY SET-IGNITION SWITCH COMP.	1	
21	KA004020000	熄火开关	ENGINE STOP BUTTON	1	
22	KA004030000	照明开关	TOPLIGHT SWITCH	1	
23	GB845-85	自攻螺钉ST4. 2×16、军绿		2	

KINROAD

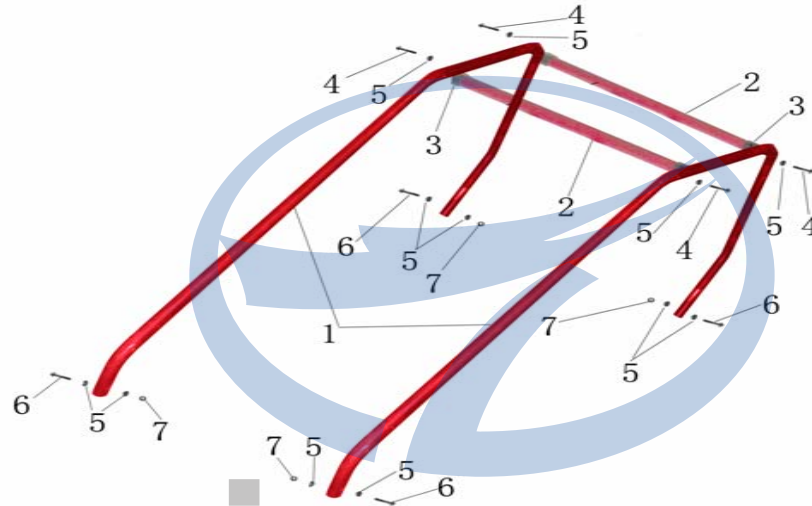
F-02



序号 Ref. No	功能码 Function Code	中文名称 Chinese Description	英文名称 Part Name	数量 Reqd. No.	备注 Remark
1	KA003020000	变向器螺栓盖	COVER STEERING COMP.	1	
2	GB5787-86	六角法兰螺栓M6×12	BOLT, FLANGE M6×12	3	
3	KA003310000	方向盘	STEERING COMP.	1	
4	KA10171001A	边向轴	STEERING SHAFT	1	
5	KA101021000	方向柱尼龙衬套	BUSH. STEERING SHAFT	2	
6	GB/T95-85	平垫Φ20	WASHER ø20	1	
7	GB/T894-86	轴用弹性挡圈	CIRCLIP ø20	1	
8	GB5787-86	六角法兰螺栓M8×25	BOLT, FLANGE M8×25	6	
9	KA006010400	转向关节轴	SEEERING KNUCKLE	1	
10	KA10601011A	变向箱	STEERING GEAR	1	
11	KA006010300	防尘盖	DUST COVER. R. BALL JOINT	1	
12	KA106010300	防尘盖I	DUST COVER. L BALL JOINT	1	
13	KA00153001A	变向器固定板	STEERING GEAR BRACKET	2	
14	GB6187-86	六角法兰自锁螺母M8	NUT FLANGE M8	8	
15	KA10601111A	连接杆球头	ROD END	2	

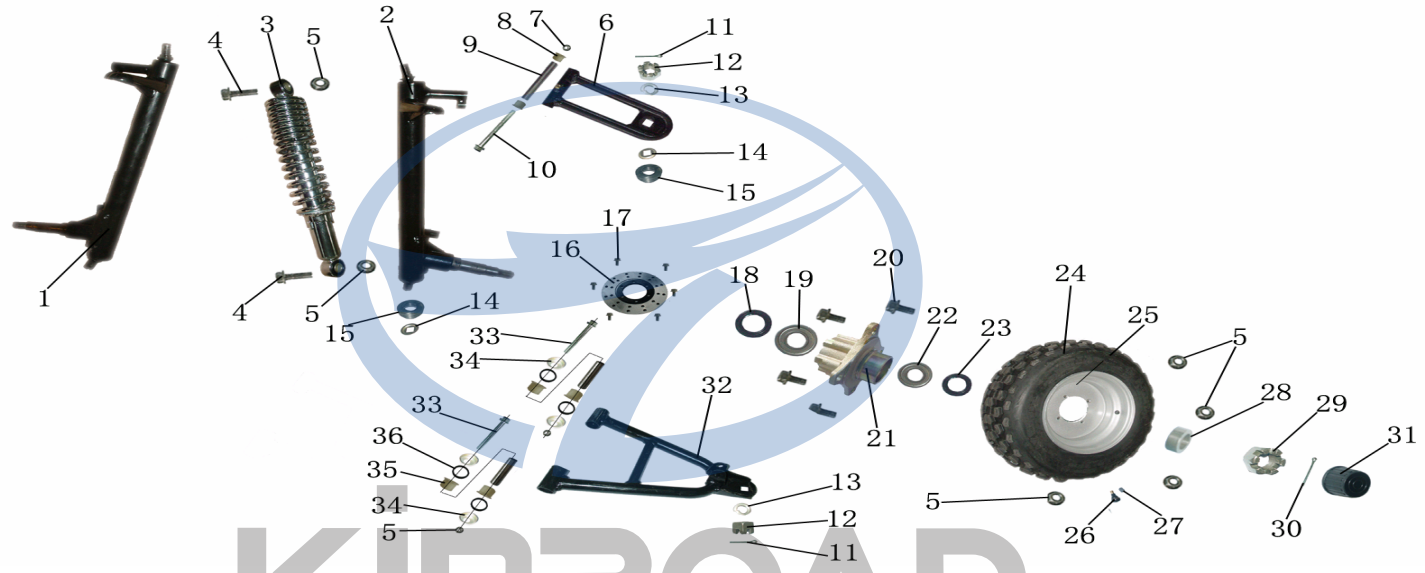
16	KA10601051A	左、右连接杆	TIE ROD	2	
17	KA006010240	万向节	STEERING BALL JOINT	2	
18	KA10601121A	限位套筒	SLEEVE	2	
19	KA003320000	油门脚踏橡胶套	PUSH ROD, MASTER	1	
20	KA003320000-1	刹车脚踏橡胶套	RUBBER, PAD	1	
21	GB5787-86	六角法兰螺栓M5×16	BOLT, FLANGE M5×16	4	
22	GB6187-86	六角法兰自锁螺母M5	NUT FLANGE M5	4	
23	KA00115001A	节气门踏板组件	PEDAL COMP., THROTTLE	1	
24	KA00116001A	刹车踏板组件	PEDAL COMP., BRAKE	1	
25	KA001820030	节气门踏杆扭簧	SPRING, THROTTLE PEDAL	1	
26	KA001810030	刹车踏杆扭簧	SPRING, BRAKE PEDAL	1	
27	KA101024000	踏板减震环	COLLAR, PEDAL	4	
28	53391-BCA0-0000-0C	刹车踏杆螺栓 M8×221	BOLT M8×221	1	
29	53393-BCA0-0000-0C	节气门螺栓 M8×145	BOLT M8×145	1	
30	GB5787-86	六角法兰螺栓 M8×35	BOLT, FLANGE M8×35	2	
31	KA101350000	刹车泵保护支架	BRACKET, CYLINDER ASSY,	1	
32	GB5787-86	六角法兰螺栓 M8×40	BOLT, FLANGE M8×40	2	
33	GB6170-86	六角螺母M8	NUTM8	2	

F-03



序号 Ref. No	功能码 Function Code	中文名称 Chinese Description	英文名称 Part Name	数量 Reqd. No.	备注 Remark
1	KA2C1010003	保险杠架	RIGHT BRUSH GUARD BAR ,MAIN	2	
2	KA101070000	保险杠横杆	BRUSH GUARD BAR ,CENTER	2	
3	KA003070000	防护杆衬套(ø 25)	BUSH, BRUSH GUARD BAR (ø25)	4	
4	GB5787-86	六角法兰螺栓 M8×55	BOLT FLANGE M8×55	4	
5	50199-BCA0-0000-0C	R-垫	R-WASHER	12	
6	GB5787-86	六角法兰螺栓 M8×50	BOLT FLANGE M8×50	4	
7	GB6187-86	六角法兰自锁螺母 (M8)	LOCK NUT FLANGE (M8)	4	

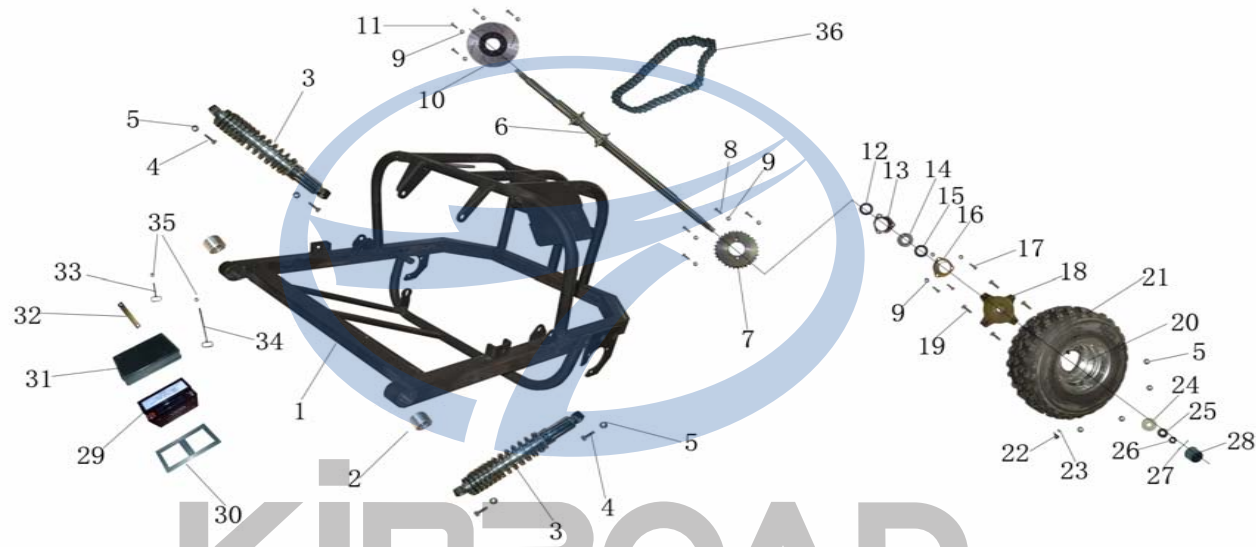
F-04



序号 Ref. No	功能码 Function Code	中文名称 Chinese Description	英文名称 Part Name	数量 Reqd. No.	备注 Remark
1	KA00603001A	右支撑轴	KNUCKLE SUPPORT, RH	1	
2	KA00602001A	左支撑轴	KNUCKLE SUPPORT, LH	1	
3	KA00631001B	前减震器	ABSORBER ASSY. FR.	2	
4	GB5787-86	六角法兰螺栓 M10×40×1.25	BOLT FLANGE M10×40×1.25	4	
5	GB6187-86	六角法兰自锁螺母 (M10×1.25)	LOCK NUT FLANGE M10×1.25	16	
6	KA10117001A	上悬挂臂组件	SUSPENSION ARM COMP, UPPER	2	
7	GB6187-86	六角法兰自锁螺母 M8	LOCK NUT FLANGE M8	2	
8	KA101023000	上摆臂尼龙衬套	BUSH, ARM ASSY., UPPER	4	
9	KA101010300	前上摆臂套筒内心管	SPACER, CENTER	2	
10	51191-BCA0-0000-0C	上悬挂臂安装螺栓 M8×105	BOLT M8×105	2	
11	GB/T91-86	开口销1.6×30	PIN 1.6×30	4	
12	GB6178-86	六角开槽螺母M12×1.25	NUT M12×1.25	4	
13	GB/T93-87	弹垫12	SPRING WASHER 12	4	
14	KA001590030	隔环	SPACER, BALL HEAD	4	
15	KA003340000	转向轴防尘罩	RUBBER DUST COVER	4	
16	KA105310100-2	刹车碟	DISC, FR. BRAKE	2	
17	GB5783-2000	六角头螺栓M6×12	BOLT M6×12	12	

18	KA005440000	油封 47×25-7	DUST SEAL 47×25-7	2	
19	KA005520000	轴承 6204	BEARING 6204	2	
20	44901-BCA0-0000-0C	辐板轮安装螺栓 M10	BOLT, TIRE M10	8	
21	KA005040030	前轮毂	HUB, FR. WHEEL	2	
22	96100-62030	轴承 6203	BEARING 6203	2	
23	91202-BCA0-0000	油封 42×27-7.3	DUST SEAL 42×27-7.3	2	
24	KA2C5030000	真空胎19×7-8	TIRE, FR. 19×7-8	2	
25	KA005010000	前辐板轮	RIM, FR.	2	
26	KA005030100	气门嘴	INTAKE, TIRE	2	
27	KA005030200	气门嘴帽	CAP, TIRE INTAKE	2	
28	44301-BCA0-0000-0C	前轮衬套	SPACER, FR. HUB	2	
29	GB6178-86	六角开槽螺母M14×1.5	NUT M14×1.5	2	
30	GB/T91-86	开口销2.5×30	PIN 2.5×30	2	
31	KA003350000	后轮轴盖	CAP, FR. WHEEL	2	
32	KA10118001A	下悬挂臂总成	SUSPENSION ARM COMP, LOWER	2	
33	51291-BCA0-0000-0C	下悬挂臂安装螺栓 M10×80	BOLT M10×80	4	
34	KA101022000	下摆臂尼龙衬套	BUSH, SUSPENSION ARM LOWER	8	
35	KA001670030	下悬挂臂防尘盖	DUST CAP, SUSPENSION LOWER	8	
36	KA003410000	O型圈 Φ20×Φ2.5	RUBBER RING Φ20×Φ2.5	8	

F-05



序号 Ref. No	功能码 Function Code	中文名称 Chinese Description	英文名称 Part Name	数量 Reqd. No.	备注 Remark
1	KA2C1030000	后摇架组件	REAR SWING ARM COMP.	1	
2	KA101010100	缓冲套	RUBBER BUSH, SWING ARM	2	
3	KA00632001B	后减震器	ABSORBER ASSY. RR.	2	
4	GB5787-86	六角法兰螺栓 M10×40	BOLT FLANGE M10×40	4	
5	GB6187-86	六角法兰自锁螺母 M10	LOCK NUT FLANGE M10	12	
6	KA005060030	后轮轴	AXLE COMP., RR.	1	
7	KA005220030	后链轮	REAR SPROCKET	1	
8	GB5787-86	六角法兰螺栓 M8×35	BOLT FLANGE M8×35	4	
9	GB6187-86	六角法兰自锁螺母 M8	LOCK NUT FLANGE M8	14	
10	KA105310200-2	后碟刹盘组件	DISC, RR. BRAKE	1	
11	GB5787-86	六角法兰螺栓 M8×25	BOLT FLANGE M8×25	4	
12	KA005430000	油封 50×34-7	DUST SEAL 50×34-7	2	
13	KA005070030	后轮轴承座	HOUSING COMP, RR. AXLE BRG	2	
14	KA005530000	轴承 6206 RZ	BEARING 6206 RZ	2	
15	KA005420000	油封28×42-7	DUST SEAL 42×28-7.3	2	
16	KA001570030	后轮轴承座盖	BEARING BASE	2	

17	GB5787-86	六角法兰螺栓 M8×40	BOLT FLANGE M8×40	6	
18	KA2C5050000	后轮毂	HUB, RR. AXLE	2	
19	44901-BCA0-0000-0C	辐板轮安装螺栓 (M10)	BOLT, TIRE (M10)	8	
20	KA005020000	后辐板轮10-8	RIM, REAR	2	
21	KA2C5040000	真空胎18×9.5-8	TIRE, RR. 18×9.5-8	2	
22	KA005030100	气门嘴	INTAKE, TIRE	2	
23	KA005030200	气门嘴帽	CAP, TIRE INTAKE	2	
24	KA001580030	后轮帽座	HOLDER, RR. WHEEL CAP	2	
25	94110-17B01-0C	平垫 (ø16)	FLAT WASHER (ø16.5)	2	
26	GB6178-86	六角开槽螺母M16×1.5	NUT M16×1.5	2	
27	GB/T91-86	开口销3.2×32	PIN3.2×32	2	
28	KA003350000	后轮轴盖	CAP, RR. WHEEL	2	
29	KA004070000	蓄电池	BATTERY	1	
30	KA003360000	蓄电池垫	CUSHION, BATTERY	1	
31	KA003030000	蓄电池盖	COVER, BATTERY	1	
32	KA001600030	蓄电池压板	PRESSURE PLATE, BATTERY	1	
33	KA001230030	蓄电池短拉杆	SHORT ROD, BATTERY	1	
34	KA001220030	蓄电池长拉杆	LONG ROD, BATTERY	1	
35	GB6187-86	六角法兰自锁螺母 M6	LOCK NUT FLANGE M6	2	
36	KA005230000	链条10A	DRIVE CHAIN	2	

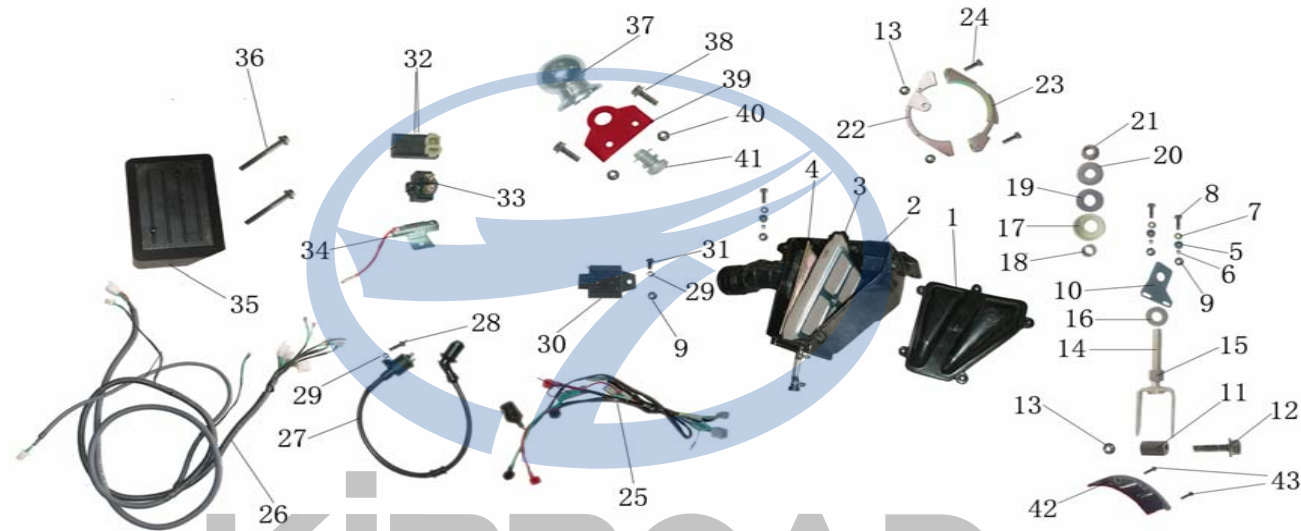
F-06



序号 Ref. No	功能码 Function Code	中文名称 Chinese Description	英文名称 Part Name	数量 Reqd. No.	备注 Remark
1	KA2C1040000	后储物架组件	CARRIER COMP., REAR	1	
2	GB5787-86	六角法兰螺栓 M8×45	BOLT FLANGE M8×45	2	
3	GB6187-86	六角法兰自锁螺母 M8	LOCK NUT FLANGE M8	10	
4	KA2C1050000	后储物架支架	SUPPORTER, CARRIER	2	
5	GB5787-86	六角法兰螺栓 M10×40	BOLT FLANGE M10×40	4	
6	GB6187-86	六角法兰自锁螺母 M10	LOCK NUT FLANGE M10	4	
7	KA004110000	后尾灯	TAIL LAMP ASSY.	1	
8	KA003100000	后尾灯绝缘垫A	INSULATING PAD A, TAIL LIGHT	2	
9	KA003110000	后尾灯绝缘垫B	INSULATING PAD B, TAIL LIGHT	2	
10	GB6187-86	六角自锁螺母 (M5)	NUT FLANGE M5	2	
11	KA107010200-1	左座垫	LEFT SEAT ASSY	1	
12	KA107010100-1	右座垫	RIGHT SEAT ASSY	1	
13	KA107080000-1	五点式保险带	BELT. SAFETY	1	
14	KA107080100-1	保险带附件	BOLT BELT. SAFETY	5	
15	KA20705001A	滑轨	RAIL SET. SEAT	2	

16	GB5787-86	六角法兰螺栓 M8×16	BOLT FLANGE M8×16	8	
17	KA202060000	油箱	TANK, COMP. FUEL	1	
18	KA002060100	油箱盖	CAP, COMP. FUEL TANK	1	
19	KA003220000	导流管	TUBE COMP. VACUUM	1	
20	KA002070000	止回阀	CHECK VALVE	1	
21	KA003370000	油箱橡胶圈	RUBBER RING	4	
22	17519-BCA0-0000-0C	安装衬套	COLLAR, INNER	4	
23	GB/T95-87	平垫 φ6	FLAT WASHER ø6	4	
24	GB5787-86	六角法兰螺栓 M6×30	BOLT FLANGE M6×30	4	
25	GB6187-86	六角法兰自锁螺母 M6	LOCK NUT FLANGE M6	6	
26	KA002080000	油箱开关	COCK, FUEL ASSY.	1	
27	KA001870050	气管卡簧	CIRCLIP, AIR PIPE	2	
28	KA002090000	过滤器	FILTER	1	
29	KA001860050	油管卡簧	CIRCLIP, FUEL TUBE	4	
30	KA003230000	气管	TUBE COMP. VACUUM	1	
31	KA001850050	保护网I	TUBE SPRING I	2	
32	KA003210100	油管I	TUBE COMP. FUEL. I	1	
33	KA003210200	油管II	TUBE COMP. FUEL. II	1	
34	KA001830050	保护网II	TUBE SPRING II	1	

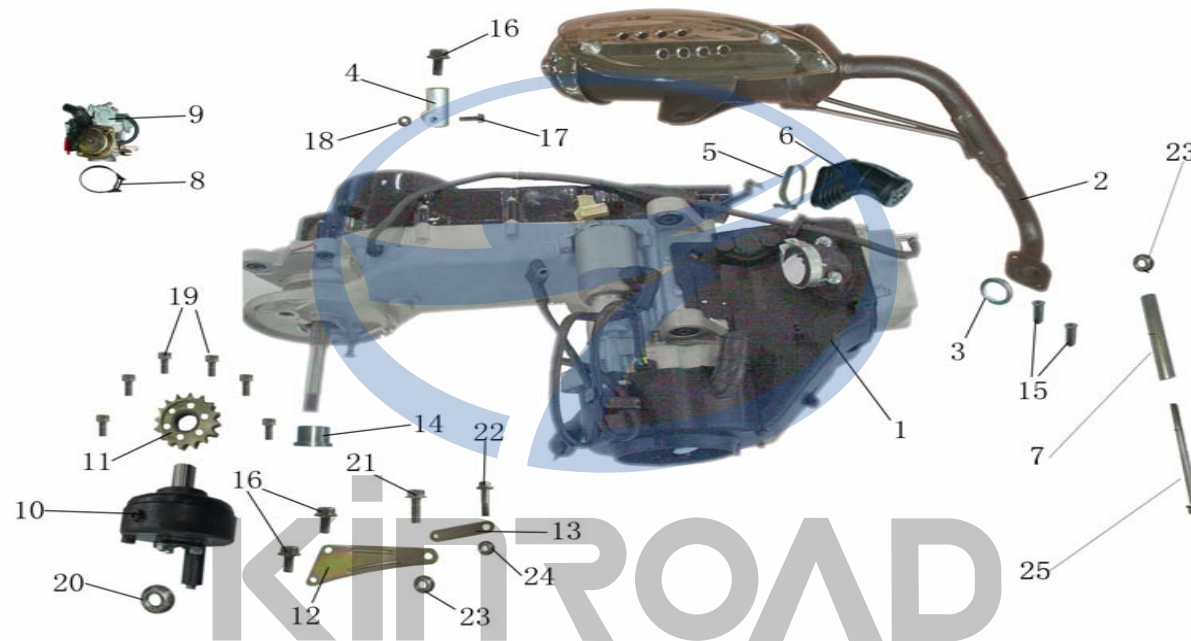
F-07



序号 Ref. No	功能码 Function Code	中文名称 Chinese Description	英文名称 Part Name	数量 Reqd. No.	备注 Remark
1	KA002030100	空滤器盖	COVER, AIR CLEANER	1	
2	KA002030000	空滤器组件	CASE COMP., AIR CLEANER	1	
3	KA002030100	海绵	ELEMENT, AIR CLEANER	1	
4	KA002030100	空滤器网	TRAP COMP, AIR CLEANER	1	
5	KA003370000	油箱橡胶圈	RUBBER RING	4	
6	17519-BCA0-0000-0C	安装衬套	COLLAR, INNER	3	
7	GB/T95-87	平垫 φ6	FLAT WASHER ø6	3	
8	GB5787-86	六角法兰螺栓 M6×30	BOLT FLANGE M6×30	3	
9	GB6187-86	六角法兰自锁螺母 M6	LOCK NUT FLANGE M6	4	
10	KA00151001A	空滤器固定板	BRACKET, AIR CLEANER ASSY	1	
11	50333-BCA0-0000	吊杆安装尼龙衬套	COLLAR, ENGINE MOUNTING LINK	1	
12	90191-BCA0-0001-0C	吊杆安装螺栓 M10×52	BOLT FLANGE M10×52	1	
13	GB6187-86	六角法兰自锁螺母 M10×1.25	LOCK NUT FLANGE M10 ×1.25	4	
14	KA2C1060000	吊杆	LINK COMP, ENGINE MOUNT	1	
15	90293-BCA0-0000-0C	调整螺母 M12×1.25	NUT, ENGINE MOUNT LINK M12×1.25	1	
16	52155-BCA0-0000	缓冲器垫圈	WASHER, BUFFER PAD	1	
17	KA001550030	缓冲器座	SPACER, ENGINE MOUNT LINK	1	

18	52152-BCA0-0000-0C	隔震环	COLLAR, ENGINE MOUNT LINK	1	
19	KA003390000	吊架缓冲橡胶圈	BUFFER PAD, ENGINE MOUNT LINK	1	
20	52155-BCA0-0000	缓冲器垫圈	WASHER, BUFFER PAD	1	
21	GB6187-86	六角法兰自锁螺母 (M12×1.25)	LOCK NUT FLANGE M12 ×1.25	1	
22	KA001740030	吊杆上压板	UPPER PRESSURE PLATE, ENGINE HANGER	1	
23	KA001730030	吊杆下压板	MOUNTING PLATE, ENGINE HANGER	1	
24	GB/T70-86	内六角螺栓M10×1.25×45	BOLT, HEX IN M10×1.25×45	2	
25	KA2C4300000	副电缆	SUB-WIRING HARNESS	1	
26	KA2C4200000	主电缆	MAIN WIRE HARNESS	1	
27	KA004090000	高压包	COIL COMP. IGNITION	1	
28	GB5787-86	六角法兰螺栓 M6×25	BOLT FLANGE M6×25	1	
29	GB/T93-87	弹垫6	WASHER ,SPRTNG ø6	2	
30	KA004040000	调压整流器	RECTIFIER COMP, REGULATE	1	
31	GB5787-86	六角法兰螺栓 M6×25	BOLT FLANGE M6×25	1	
32	KA004080000	C. D. I. 点火器	C. D. I. UNIT	1	
33	KA004050000	起动继电器	STARTING RELAY	1	
34	KA004060000	电阻	RESISTOR 10W 10Ω	1	
35	KB2S3200000	电器盒	WIRING BOX	1	
36		十字盘头螺钉M6×75	"+" HEAD BOLT M6X75	2	
37	KB2S1300000	拖车挂钩	TRAILER HATCH HOOK	1	
38	GB5787-86	六角法兰螺栓 M8×1.25×25	BOLT FLANGE M8×1.25×25	2	
39	KB2S1400000	拖车挂钩安装支架	TRAILER HATCH	1	
40	GB6187-86	六角法兰自锁螺母 M8	LOCK NUT FLANGE M8	2	
41		六角螺栓M12X25	NUT M12X25	1	
42	KA00162001A	驱动链轮罩	COVER, DRIVE SPROCKET	1	
43	GB/T818-85	十字盘头螺钉M5×8	BOLT M5×8	2	

F-08



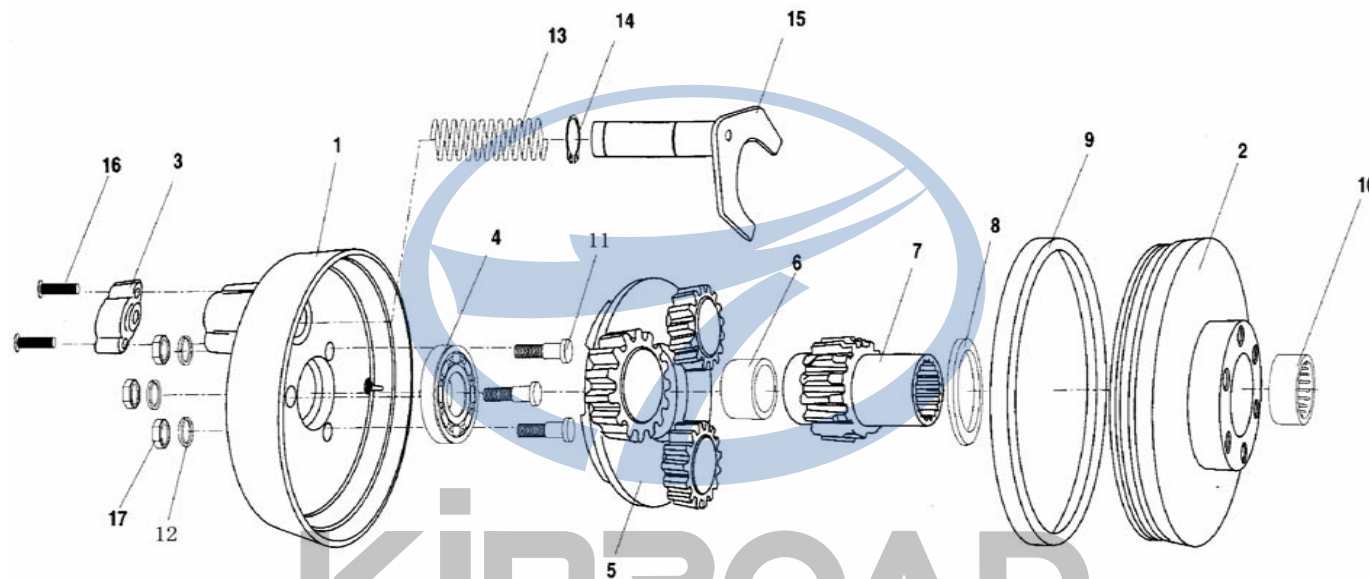
序号 Ref. No	功能码 Function Code	中文名称 Chinese Description	英文名称 Part Name	数量 Reqd. No.	备注 Remark
1	KA002010000-1	发动机	ENGINE ASSY	1	
2	KA002030000	排气消声器总成)	MUFFLER COMP., EX	1	
3	KA002040100	排气管密封垫	GASKET, EX. PIPE	1	
4	KA001710030	排气管连接衬套	RACK SUPPORT, MUFFLER	1	
5	KA002050100	吸风管卡箍	CLAMP	1	
6	KA002050000	吸风管	BOOT, SIDE CASE	1	
7	52121-BCA0-0000-0C	吊架轴衬套	SPACER, ENGINE MOUNT	1	
8	KA002030100	空滤器卡箍	CIRCLIP COMP.	1	
9	KA002020000	化油器	CARBURETOR ASSY	1	
10	KA00561001A	倒挡器总成	REVERSE ASSY.	1	
11	KA005210030	驱动链轮	DRIVE SPROCKET	1	
12	KA001650130	倒挡器安装板	BRACKET, REVERSE	1	
13	KA001650230	倒挡器挂臂	BRACKET ARM, REVERSE	1	
14	23808-BCA0-0010-0C	倒挡器安装套	SPACER, REVERSE	1	
15	90301-TCB0-0000-0C	消声器长螺母 M6×35	NUT, MUFFLER JOINT, M6×35	2	

16	GB5787-86	六角法兰螺栓 M10×1.25×25	BOLT FLANGE M10×1.25×25	3	
17	GB5787-86	六角法兰螺栓 M6×25	BOLT FLANGE M6X25	1	
18	GB6187-86	六角法兰自锁螺母 (M6)	LOCK NUT FLANGE (M6)	1	
19	GB/T70-86	内六角螺钉M8×35	BOLT, HEX IN	6	
20	GB6187-86	六角法兰自锁螺母(M16×1.5)	LOCK NUT FLANGE (M16×1.5)	1	
21	GB5787-86	六角法兰螺栓 M10×1.25×35	BOLT FLANGE M10×1.25×35	1	
22	GB5787-86	六角法兰螺栓 M8×40	BOLT FLANGE M8×40	1	
23	GB6187-86	六角法兰自锁螺母 (M10)	LOCK NUT FLANGE (M10)	1	
24	GB6187-86	六角法兰自锁螺母 (M8)	LOCK NUT FLANGE (M8)	1	
25	52129-BCA0-0000-0C	吊架轴 M10×191	BOLT M10×191	1	



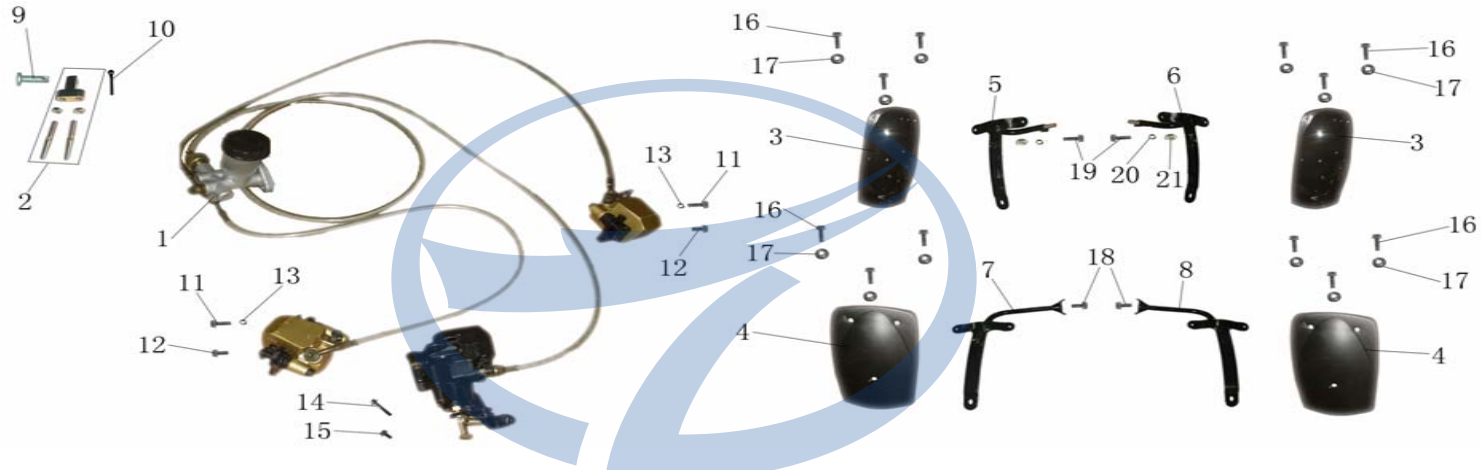
KINROAD

F-09



序号 Ref. No	功能码 Function Code	中文名称 Chinese Description	英文名称 Part Name	数量 Reqd. No.	备注 Remark
1	24810-BCA0-0000	右齿轮箱	GEAR CASE , R	1	
2	24820-BCA0-0000	左齿轮箱	GEAR CASE , L	1	
3	24840-BCA0-0000	档线固定盖	COVER, GEAR SHITING YOKE	1	
4	91001-60030-0000	轴承	BEARING 6003 DDU	1	
5	24830-BCA0-0000	齿轮轴组件	COURTER GEAR SHAFT COMP .	1	
6	24832-BCA0-0000	驱动齿轮衬套	BUSHING, DRIVE GEAR	1	
7	24831-BCA0-0000	驱动齿轮	DRIVE GEAR	1	
8	24833-BCA0-0000	驱动齿轮隔环	COLLAR, DRIVE GEAR	1	
9	24839-BCA0-0000	油封	RUBBER OIL SEAR	1	
10	91111-BCA0-0000	滚针轴承HK2820	NEEDLE BEARING 28×35×20	1	
11	90191-BCA0-0000	螺栓M8×40	BOLT, M8×40	3	
12	GB/T93-87	弹垫8	WASHER , SPRING ø8	3	
13	24838-BCA0-0000	换档弹簧	SPRING, GEAR SHIFTING YOKE	1	
14	94510-12000-0E	卡簧	CIRCLIP (φ 12)	1	
15	24837-BCA0-0000	换档拨叉	GEAR SHIFTING YOKE	1	
16	93600-06020-0B	十字盘头螺钉M6×20	BOLT, M6×20	2	
17	94010-08B01-0A	六角自锁螺母	NUT HEX 8MM	3	

F-10



序号	功能码	中文名称	英文名称	数量	备注
Ref. No	Function Code	Chinese Description	Part Name	Reqd. No.	Remark
1	KA105310000-2	制动泵总成	FOUR-CALIPER BRAKE ASSY	1	
2	KA105310100-2	主压杆	PUSH ROD, MASTER	1	
3	KA003130000	前挡泥板	BRACKKEY, FRONT FENDER	2	
4	KA003140000	后挡泥板支架	REAR FENDER	2	
5	KA00135001A	前左挡泥板支架	FRONT FENDER, L	1	
6	KA00136001A	前右挡泥板支架	FRONT FENDER, R	1	
7	KA00137001A	左后挡泥板支架	REAR FENDER, L	1	
8	KA00138001A	右后挡泥板支架	REAR FENDER, R	1	
9	GB/T882-86	B型销轴(带销孔 $\phi 2$)6×30	PIN 6×30	1	
10	GB/T91-86	开口销 1.6×16	PIN 1.6×16	1	
11	GB5787-86	六角法兰螺栓 M8×35	BOLT FLANGE M8×35	2	
12	GB5787-86	六角法兰螺栓 M8×25	BOLT FLANGE M8×25	2	
13	GB/T93-87	弹垫8	WASHER ,SPRTNG $\phi 8$	2	
14	GB5787-86	六角法兰螺栓 M8×96	BOLT FLANGE M8×96	1	
15	GB5787-86	六角法兰螺栓 M8×12	BOLT FLANGE M8×12	1	
16	GB5787-86	六角法兰螺栓 M6×16	BOLT FLANGE M6×16	12	
17	GB6187-86	六角法兰自锁螺母 (M6)	LOCK NUT FLANGE (M6)	12	
18	GB5787-86	六角法兰螺栓 M8×16	BOLT FLANGE M8×16	2	
19	GB5787-86	六角法兰螺栓 M6×35	BOLT FLANGE M6×35	2	
20	GB/T93-87	弹垫6	WASHER ,SPRTNG $\phi 6$	2	
21	GB6170-86	六角螺母M6	NUTM6	2	