

**This Owner's Manual features three sections:**

**Owner's Manual**

**Maxxam Set-up Instruction**

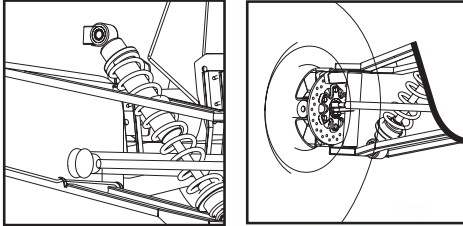
**Maxxam Starting Procedures**

READ THIS MANUAL CAREFULLY,  
IT CONTAINS IMPORTANT SAFETY INFORMATION.

# Owner's Manual Parts Manual Service Manual

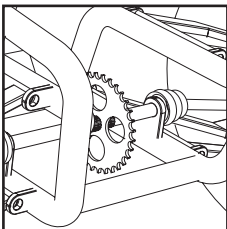
2830 MAXXAM 150

This kart is designed for off-road use only  
and does not comply with Federal Motor Vehicle Safety Standards  
Recommended for Ages 16+



# MAXXAM

150 2R





# FOREWORD

Thank you for purchasing an A.C.E. kart. We hope you will enjoy it. Before you begin operating the kart, please carefully read this Owner's Manual as it contains important safety and maintenance information. Failure to follow the warnings contained in this manual could result in serious injury or death.

Be sure to follow the recommended maintenance schedule and service your kart accordingly. Preventive maintenance is extremely important to the longevity of your kart.

If you are a beginner, please seek instructions from your dealer or qualified instructor before and during initial use of the kart. We also recommend that you practice in a large open area until you become familiar with operation of this kart.

We hope you will have a pleasant experience with our product. Thanks again for choosing our kart.



**ACE**  
*SPORTS*

239 County Road 4435  
Brundidge, AL 36081  
[www.acesportsonline.com](http://www.acesportsonline.com)

P: 1-888-562-9ACE  
F: 1-888-562-8ACE



# INDEX

## OWNER' S MANUAL

	Page
1. WARRANTY-----	1
2. WARRANTY REGISTRATION FORM -----	3
3. ABOUT SAFETY -----	4
4. IMPORTANT SAFETY INFORMATION -----	5
5. SAFETY LABELS-----	7
6. ARE YOU READY TO DRIVE? -----	8
7. IS YOUR VEHICLE READY TO DRIVE? -----	10
8. SAFE DRIVING PRECAUTIONS -----	11
9. SPECIFICATIONS -----	14
10. OPERATION -----	16
11. SERVICE INSTRUCTIONS -----	20
12. REPAIR -----	24
13. PERIODICAL CHECKS AND SERVICE -----	26
14. WIRING DIAGRAM -----	27
15. INITIAL ASSEMBLY INSTRUCTIONS-----	28

## PARTS MANUAL

	Figure
1. CYLINDER HEAD ASSEMBLY -----	Fig.1
2. CYLINDER ASSEMBLY -----	Fig. 2
3. CRANKCASE ASSEMBLY-----	Fig. 3
4. CRANKCASE ASSEMBLY(2) -----	Fig. 4
5. CRANKSHAFT CONNECTION ROD & PISTON ASSEMBLY-----	Fig. 5
6. CAMSHAFT ASSEMBLY -----	Fig. 6
7. LEFT COVER ASSEMBLY -----	Fig. 7
8. FAN COVER AND SHROUD ASSEMBLY-----	Fig. 8
9. OIL PUMP ASSEMBLY -----	Fig. 9
10. DRIVEN PULLEY AND CLUTCH SUBASSEMBLY -----	Fig.10
11. TRANSMISSION ASSEMBLY-----	Fig.11
12. ELECTRIC SYSTEM -----	Fig.12
13. ELECTRIC STARTER ASSEMBLY -----	Fig.13
14. DRIVE PULLEY SUBASSEMBLY -----	Fig.14
15. CARBURETOR-----	Fig.15
16. FRAME GROUP -----	Fig.16
17. STEERING SHAFT ASSEMBLY -----	Fig.17
18. SUSPENSION ARM ASSEMBLY -----	Fig.18
19. REAR CARGO RACK/SEAT/BELT -----	Fig.19
20. ENGINE/MUFFLER/AR CLEANER -----	Fig.20
21. REAR SWING ARM -----	Fig.21
22. REAR HOUSING -----	Fig.22
23. WIRE HARNESS/ELECTRICAL-----	Fig.23
24. REVERSE ASSEMBLY -----	Fig.24
25. TOOL KIT-----	Fig.25
26. STICKERS -----	Fig.26

# INDEX

<b>SERVICE MANUAL</b>		<b>Page</b>
1. GENERAL INFORMATION	-----	1
2. PERIODIC MAINTENANCE AND TUNE-UP PROCEDURES	-----	5
3. ENGINE	-----	9
4. LUBRICATION SYSTEM INSPECTION AND SERVICING	-----	24
5. FUEL SUPPLY SYSTEM INSPECTION AND SERVICING	-----	28
6. TRANSMISSION COMPONENTS	-----	33
7. ELECTRICAL STARTING SYSTEM	-----	34
8. REDUCTION MECHANISM	-----	37
9. CONTROLLING MECHANISM	-----	39
10. BELT DRIVEN CVT MECHANISM INSPECTION AND SERVICING	-----	40
11. CLUTCH	-----	44
12. DRIVEN BELT PULLEY	-----	46
13. REAR TRANSMISSION MECHANISM INSPECTION AND SERVICING	-----	49
14. ELECTRICAL SYSTEM	-----	54
15. PRIMARY COIL	-----	56
16. IGNITION SYSTEM INSPECTION AND SERVICING	-----	60
17. CHASSIS	-----	64
18. WIRING DIAGRAM	-----	70
19. INDEX	-----	71

# WARRANTY



## A.C.E. SPORTS KARTS LIMITED WARRANTIES

### REGISTRATION

**ALL UNITS MUST BE REGISTERED WITHIN 10 DAYS OF PURCHASE OR THE WARRANTY IS VOID**

To register your product, complete the Warranty Registration form. Fax or mail the warranty registration form with a copy of the sales receipt to A.C.E. Sports. A warranty registration form MUST be on file with A.C.E. Sports before a warranty claim can be processed.

All warranty work must be performed by an authorized dealer or service center.

### WARRANTY PERIOD

*The warranty period starts from the time that the unit is sold to the first retail purchaser for all A.C.E. products. During the warranty coverage period, we will cover warranty parts and labor only. Parts repaired and replaced under this warranty are covered only for the remainder of the kart's warranty.*

### WARRANTY PERIODS FOR ALL KARTS ARE AS FOLLOWS:

#### FRAME FOR 1 YEAR

Void if:

1. Frame is broken or bent due to abuse
2. Underside scraped abusively
3. Wheels are bent or broken due to impact
4. Spindles are bent due to impact
5. Paint is worn off of rear bumper, indicating an extra rider.
6. Axles are bent out of ordinary position either horizontally or vertically
7. Non-factory altering of engine or frame and its components

If the frame is found to be defective due to material and/or workmanship when inspected at an authorized A.C.E. Service Center, A.C.E. will - at its option - repair or replace defective parts to the original purchaser at no charge.

### MAXXAM 150 2R PARTS COVERAGE

Warranty starts from the date of purchase by the first retail purchaser.

- Engine: 90 days Limited factory warranty
- Reverse Gear Assembly: 60 days
- A-Arm, Spindles, Axles, Rack & Pinion: 90 days
- Electronics, Carburetor & Exhaust: 60 days
- Battery: 30 days

# WARRANTY

---

## **PARTS NOT COVERED**

This warranty does not cover consumable wear and tear items such as, but not limited to:

- Throttle cable
- Brake cable
- Chains
- Seats
- Fasteners
- Air Filters
- Brake pads
- Tires
- Oil changes
- Problem occurring due to lack of proper maintenance
- Problem occurring due to abuse

Modifications to your Maxxam that are not A.C.E.Sport approved will void the warranty. Defective parts are subject to recall by A.C.E. Sport upon failure, and are required to be held by the service center until the warranty claim is settled.

## **OWNER'S WARRANTY RESPONSIBILITIES**

As the kart owner, you are responsible for presenting your kart to the service center as soon as a problem exists.

All shipping and transportation charges for any items returned for warranty evaluation and/or replacement are to be provided by the kart owner. Costs from kart owner to dealer or service center are the kart owner's responsibility.

## **IMPORTANT NOTICE:**

**We do not charge for parts for authorized warranty repairs. Any defective parts from repairs are required to be returned to A.C.E. upon request. All warranties are voided if the vehicle has been altered for use in racing or competition, rented, used under abnormal conditions, or subject to abuse, misuse, neglect or improper maintenance. A.C.E. Sports is not liable for any damage claim or liability claim, personal or otherwise, resulting from operation of this vehicle in any way. A.C.E. Sports reserves the right to change product specifications, designs, and standard equipment without notice and without incurring obligation. These vehicles are not designed or manufactured for racing or use on rental tracks, public streets, public roads, highways, paved surfaces or right-of-ways. Always wear an approved helmet and eye protection when riding. Always secure loose clothing and long hair. Always wear seatbelts. Read the operations manual.**



# CUSTOMER SAFETY INFORMATION AND WARRANTY REGISTRATIN FORM MAXXAM 150

**Warranty registration must be filed with A.C.E. Sports within 10 days of purchase or warranty will be void.**

In order to validate the warranty, purchaser agrees and promises to hold A.C.E.Sports and the Dealer harmless and indemnify them from all claims and demands or causes of action which may arise or be asserted against them arising or allegedly arising from any claim related to the delivery of the Vehicle or its use by the Purchaser or any third parties, including all attorney fees and legal costs whether or not any claim or assertion is deemed or found to be valid or not. All parties agree and stipulate that any legal proceedings, which relate to or arise out of this transaction, shall be brought only in a federal or state court located in the County of Pike, State of Alabama.

This form and Owner's Manual contains vital safety information. A.C.E. Sports asks that you review the warnings and verify that you have read and understood each warning by placing your initials on the line beside it.

**I understand that I must:** (please initial beside each number)

- \_\_\_\_\_ **1. Always read the Owner's Manual carefully**, follow the operating procedures described in the Owner's Manual and pay special attention to the warnings contained in the manual and on all labels.
- \_\_\_\_\_ **2. It Is Recommended** that no one under the age of 16 operate the Vehicle.
- \_\_\_\_\_ **3. Never** allow any operation of the Vehicle before reading the Owner's Manual.
- \_\_\_\_\_ **4. Never** allow more than one operator and one passenger to ride on the Vehicle.
- \_\_\_\_\_ **5. Never** operate the Vehicle after consuming alcohol or drugs.
- \_\_\_\_\_ **6. Never** operate the Vehicle without wearing your seat belt ( Karts only ), a proper helmet, eye protection, and protective clothing.
- \_\_\_\_\_ **7. Never** operate the Vehicle on unsafe terrain or at excessive speeds.
- \_\_\_\_\_ **8. Never** do wheelies, jumps or other stunts.
- \_\_\_\_\_ **9. Never** allow anyone to ride on the back or the front of the Kart or the handlebars of the Scooter.
- \_\_\_\_\_ **10. Never** allow the Kart to be driven on a public road of any kind, even a dirt or gravel one because you may not be able to avoid colliding with other vehicles. Operating your Kart on a public road may be against the law.
- \_\_\_\_\_ **11. Never** operate the Kart on pavement. The Kart is not designed to be used on paved surfaces and may be difficult to control.
- \_\_\_\_\_ **12. Always follow the break-in period** as described in the Owner's Manual or your engine warranty will be voided.
- \_\_\_\_\_ **13. Always clean the air filter** as described in the Owner's Manual or your engine warranty will be voided.
- \_\_\_\_\_ **14. Never** operate the Kart without wearing a proper helmet, eye protection, and protective clothing.
- \_\_\_\_\_ **15. Never** operate the Kart at night. The attached lights are for ornamental purposes only. They will not provide sufficient lighting for night time operation.

In signing this document, the Purchaser acknowledges and agrees that he has read the Owner's Manual and that failure to do so voids all warranties, both implied and expressed.

**I certify that I understand all of the above warnings, warnings in the Owner's Manual, and that failure to obey these warnings could result in death or severe injury.**

Date of Purchase(mm/dd/yy)		Model Number	VIN Number
First Name	MI	Last Name	e-mail
Street Address			
City	State		Zip Code
Dealer Name		Website Address	
City	State		Zip Code
Home Telephone Number		Purchaser Signature	

**Please fill out this form and fax or mail it back to A.C.E. Sports:**

A.C.E. Sports LLC | 239 County Road 4435 | Brundidge, AL 36010 | Ph: 888.562.9ACE Fax: 888.562.8ACE |

Web: www.acesportsonline.com

C-A-WR-03-2007

# ABOUT SAFETY

---


In order to keep everyone safe, you must take responsibility for the safe operation of your kart.

To help you make informed decisions about safety, we have provided operating procedures and other information on labels and in this manual. This information alerts you to potential hazards that could hurt you or others.

It is not practical or possible to warn you about all the hazards associated with operating or maintaining a kart. You must use your own good judgment.

You will find important safety information in a variety of forms, including:

**Safety Labels** – On the kart.

**Safety Messages** – Preceded by a safety alert symbol  and one of two signal words: WARNING, or CAUTION.

**These signal words mean:**



Physical harm may result from failure to adhere to the instructions that are described within the WARNING labels.

**Safety Headings** — such as important safety reminders or important safety precautions.

**Safety Section** — such as kart safety.

**Instructions** — how to use this kart correctly and safely.

This entire manual is filled with important safety information—please read it carefully.

# IMPORTANT SAFETY INFORMATION

---

Your kart will provide you with many years of service and pleasure, provided you take responsibility for your own safety and understand the challenges you may meet while driving.

There is much that you can do to protect yourself while operating your kart. You'll find many helpful recommendations throughout this manual. The following are a few that we consider most important.

## **Follow the Age Recommendation**

Adult Supervision should be present for all operators under the age of 16.

## **Always Wear a Helmet**

It's a proven fact: wearing helmets significantly reduces the number and severity of head injuries. Always wear an approved motorcycle helmet. We also recommend that you wear eye protection, sturdy boots, gloves, and other protective gear.

## **Drive Off-Road Only**

Your kart is designed and manufactured for off-road use only. Its tires are not made for pavement, and the kart does not have turn signals and other features required for use on public roads. If you need to cross a paved or public road, shut the kart's power off, get off and walk your kart across.

## **Take Time to Learn & Practice**

Even if you have driven other karts, take time to become familiar with how this kart works and handles. Practice in a safe area until you build your skills and get accustomed to this kart's size and weight.

Because many accidents involve inexperienced or untrained drivers, we urge all drivers to take a training course approved by the Go-Kart Safety Institute. Check with your dealer for more information on training courses.

## **Be Alert for Off-Road Hazards**

The terrain can present a variety of challenges when you drive off-road. Continually "read" the terrain for unexpected turns, drop-offs, rocks, ruts, and other hazards. Always keep your speed low enough to allow time to see and react to hazards.

# IMPORTANT SAFETY INFORMATION

---

## **Drive within Your Limits**

Pushing limits is another major cause of kart accidents. Never drive beyond your personal abilities or faster than conditions warrant. Remember that alcohol, drugs, fatigue, or inattention can significantly reduce your ability to make good judgments and drive safely.

## **Alcohol, Drugs, and Driving**

Alcohol, drugs, and driving don't mix. Even one drink can reduce your ability to respond to changing conditions, and your reaction time gets worse with every additional drink. So don't drink and drive, and don't let your friends drink and drive either. Do not operate this kart if you are taking any prescriptions.

## **Do Not Operate this Kart at Night**

Lower visibility at night can greatly reduce a driver's judgment. Driving at night is dangerous and will increase the possibility of an accident.

## **Never Run Your Kart Indoors**

The exhaust from the engine contains carbon monoxide, a poisonous gas which is tasteless & odorless. Carbon monoxide kills.

## **Keep Away from Moving Parts of the Kart**

Never place your hands or any other body part near any moving part of the kart. Failure to adhere to this warning may cause physical harm to your body.

## **Skidding or Sliding**

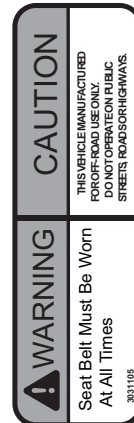
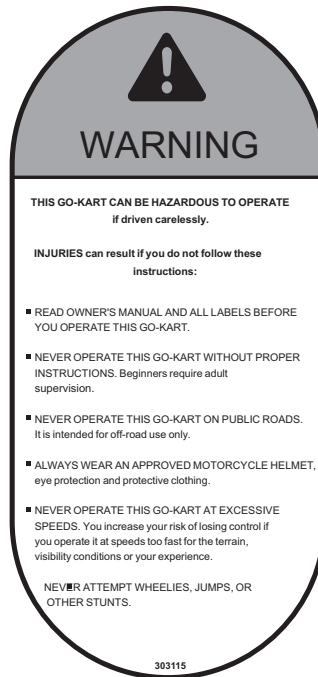
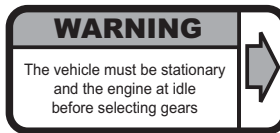
The terrain's surface can be a major factor affecting turns. Skidding in a turn is more likely to occur on slippery surfaces such as snow, ice, mud, and loose gravel. If you skid on ice you may lose all directional control. To avoid skidding on slippery terrain, keep your speed low and drive carefully.



# SAFETY LABELS

This section presents some of the most important information and recommendations to help you drive your kart safely. Please take a few moments to read these pages.

The labels should be considered permanent parts of the kart. If a label comes off or becomes hard to read, contact your dealer for warning label replacements.



# ARE YOU READY TO DRIVE ?

Before each drive, make sure you and your kart are both ready to drive. This section discusses how to evaluate your driving readiness, what items you should check on your kart, and adjustments to make for your comfort, convenience, or safety.

Before you drive your kart for the first time, we urge you to:

- Read this owner's manual and the labels on your kart carefully.
- Make sure you understand all the safety messages.
- Know how to operate all the controls.
- Have an adult present if operator is under 16 years old.

Before each drive, be sure:

- You wear your seat belt at all times while driving your kart.
- You feel well and are in good physical and mental condition.
- You are wearing an approved motorcycle helmet (with chin strap tightened securely), eye protection, and other protective clothing.
- You don't have any alcohol or drugs in your system.

## Protective Apparel

For your safety, we strongly recommend that you always wear an approved motorcycle helmet, eye protection, boots, gloves, long pants, and long-sleeved shirt or jacket whenever you drive. Although complete protection is not possible, wearing proper gear can reduce the chance of injury when you drive.

The following suggestions will help you choose the proper driving gear:

## Helmets and Eye Protection

Your helmet is your most important piece of driving gear because it offers the best protection against head injuries. A helmet should fit your head comfortably and securely.

An open-face helmet offers some protection, but a full-face helmet offers more. Regardless of the style, look for a DOT (Department of Transportation) sticker on any helmet you buy. Always wear a face shield or goggles to protect your eyes and help your vision.



**Operating this go-kart without wearing an approved motorcycle helmet, eye protection, and protective clothing could increase your chances of head and/or eye injury, and the possibility of death in the event of a severe accident.**

**Always wear an approved motorcycle helmet that fits properly and wear eye protection (goggles or face shield), gloves, boots, long-sleeved shirt or jacket and long pants.**

# ARE YOU READY TO DRIVE?

## Additional Driving Gear

In addition to a helmet and eye protection, we also recommend:

- Sturdy off-road motorcycle boots to help protect your feet, ankles, and lower legs.
- Off-road motorcycle gloves to help protect your hands.
- Driving pants with knee and hip pads, a driving jersey with padded elbows, and a chest/shoulder protector.

## Driver Training

Developing your driving skills is an ongoing process. Even if you have driven other karts, before driving take time to become familiar with how this kart works and handles. Practice driving the kart in a safe area to build your skills. Do not drive in rough terrain until you get accustomed to the kart's controls, and feel comfortable with its size and weight

### WARNING

**Operating this kart without your seat belt could cause you to be thrown from the kart, causing serious injury or death.**

## Age Recommendation

It is strongly recommended that no one under the age of 16 be permitted to operate this go-kart without adult supervision.

### WARNING

**A child driving a kart that is not recommended for his/her age could lose control of the kart resulting in severe injury or death.**

**A child under 16 should have adult supervision when operating the kart.**

## No Alcohol or Drugs

Alcohol, drugs, and karts don't mix. Even a small amount of alcohol can impair your ability to operate a kart safely. Likewise, drugs—even if prescribed by a physician—can be dangerous while operating a kart. Consult your doctor to be sure it is safe to operate a vehicle after taking medication.

### WARNING

**Operating this kart after consuming alcohol or drugs can seriously affect your judgment, cause you to react more slowly, affect your balance and perception, and could result in serious injury or death.**

**Never consume alcohol or drugs before or while operating this kart.**

# IS YOUR VEHICLE READY TO DRIVE?

Before each drive, it is important to inspect your kart and make sure any problems you find are corrected. A pre-drive inspection is a must, not only for safety, but because having a breakdown, or even a flat tire, can be a major inconvenience.

If your kart has overturned or has been involved in a collision, do not drive it until your kart has been inspected by your dealer. There may be damages or other problems you cannot see.



## WARNING

**Improperly maintaining this kart or failing to correct a problem before driving may cause a crash in which you can be seriously hurt or killed.**

**Always perform a pre-drive inspection before every drive and correct any problems.**

### Pre-drive Inspection

Check the following items before you get on the kart:

- Engine Oil

Check the level and add oil if needed. Check for leaks.

- Fuel

Check the level and add fuel if needed. Also make sure the fuel fill cap is securely fastened. Check for leaks.

- Tires

Use a gauge to check the air pressure. Adjust if needed. Also look for signs of damage or excessive wear.

- Nuts & Bolts

Check the wheels to see that the axle nuts are tight. Use a wrench to make sure all accessible nuts, bolts, and fasteners are tight.

- Underbody & Exhaust System

Check for and remove any dirt, vegetation, or other debris that could be a fire hazard or interfere with the proper operation of the kart.

- Air Cleaner Housing Drain Tube

Check for deposits in the drain tube. If necessary, clean the tube and check the air cleaner housing.

# IS YOUR VEHICLE READY TO DRIVE?

---

- Leaks, Loose Parts

Walk around your kart and look for anything that appears unusual, such as a leak or loose cable.

- Lights

Make sure the headlights, brake light and tail light are working properly.

- Throttle

Check the freeplay and adjust if needed. Press the throttle to make sure it moves smoothly without sticking, and snaps back automatically when it is released.

- Brakes

Press the rear brake pedal several times, check for proper brake pedal freeplay. Make sure there is no brake fluid leakage.

- Engine Stop Button

While the engine is running, press and hold the engine stop button for two seconds. Make sure engine stops.

- Steering Wheel

Check that the wheels turn properly as you turn the steering wheel.

- Cable

Check all cable housings for wear. Check the fittings for looseness. Replace or tighten as needed.

# SAFE DRIVING PRECAUTIONS

## Off-Road Use Only

Your kart and its tires are designed and manufactured for off-road use only, not for pavement. Driving on pavement can affect handling and control. You should not drive your kart on pavement.

### WARNING

**Operating this kart on paved surfaces may seriously affect handling and control of the kart, and may cause the vehicle to go out of control.**

**Never operate the kart on any paved surfaces, including sidewalks, driveways, parking lots and streets.**

When driving off-road, also remember to always obey local off-road driving laws and regulations. Obtain permission to drive on private property. Avoid posted areas and obey "no trespassing" signs.

You should never drive your kart on public streets, roads or highways, even if they are not paved. Drivers of street vehicles may have difficulty seeing and avoiding you, which could lead to a collision. In many states it is illegal to operate karts on public streets, roads and highways.

### WARNING

**Operating this kart on public streets, roads or highways could cause a collision with another vehicle.**

**Never operate this go-kart on any public streets, roads or highways, whether dirt, gravel or pavement.**

## Keep Hands and Feet on Controls

When driving your kart, always keep both hands on the steering wheel and both feet on the foot controls. Removing hands or feet away from the controls can result in loss of balance and reduce your ability to react and control the kart.

### WARNING

**Removing hands from steering wheel or feet from foot controls during operation can reduce your ability to control the kart or could cause you to lose your balance and fall off the kart.**

**Always keep both hands on the steering wheel and both feet on the foot controls of your kart during operation.**

# SAFE DRIVING PRECAUTIONS

## Control Speed

Driving at excessive speeds increases the chance of an accident. In choosing a proper speed, you need to consider the capability of your kart, the terrain, visibility and other operating conditions, plus your own skills and experience.

### WARNING

**Operating this kart at excessive speeds increases your chances of losing control of the kart, which can result in an accident.**

**Always drive at a speed that is proper for your kart, the terrain, visibility and other operating conditions, and your experience.**

## Use Care on Unfamiliar or Rough Terrain

Before driving in a new area, always check the terrain thoroughly. Don't drive fast on unfamiliar terrain or when visibility is limited (it's sometimes difficult to see obstructions like hidden rocks, bumps, or holes in time to react.)

### WARNING

**Failure to use extra care when operating this kart on unfamiliar terrain could result in the kart overturning or going out of control.**

**Go slowly and be extra careful when operating on unfamiliar terrain. Always be alert to changing terrain conditions when operating the kart.**

Never drive past the limit of visibility. Maintain a safe distance between your kart and other off-road vehicles. Always exercise caution and use extra care on rough, slippery and loose terrain.

### WARNING

**Failure to use extra care when operating on excessively rough, slippery or loose terrain could cause loss of traction or vehicle control, which could result in an accident, including an overturn.**

**Do not operate on excessively rough, slippery or loose terrain until you have learned and practiced the skills necessary to control the kart on such terrain. Always be especially cautious on these kinds of terrain.**

## Do Not Perform Stunts

You should always operate your kart in a safe and reasonable manner. When driving, always keep all four wheels on the ground.

### WARNING

**Attempting wheelies, jumps, and other stunts increases the chance of an accident, including an overturn.**

**Never attempt stunts, such as wheelies or jumps. Don't try to show off.**

# SPECIFICATIONS

## DIMENSIONS

Overall Length -----	85 in. (2160mm)
Overall Width -----	53 in. (1346mm)
Overall Height -----	57.4 in. (1458mm)
Wheelbase -----	59 in. (1500mm)
Front Track -----	45.7 in. (1160mm)
Rear Track -----	39.4 in. (1000 mm)
Ground Clearance -----	6.7 in. (170mm)

## ENGINE

Type -----	Forced air-cooled, 4-Stroke
Engine Capacity -----	149.8cc
Bore / Stroke -----	57.4mm x 57.8mm
Displacement -----	149.6cm <sup>3</sup>
Corrected Compression Ratio -----	9.2:1
Carburetor -----	KF,CB24J
Output Power -----	7.4Kw/7500rpm
Maximum Torque -----	13/5500 foot lbs/r/min
Starting -----	Electric
Ignition -----	C.D.I.
Lubrication -----	Force & Splash
Transmission -----	Automatic (C.V.T system)
Spark Plug -----	C7HSA(NGK)
Plug Gap -----	0.6-0.7mm
Fuel Type -----	RQ90 (unleaded)
Lubricate Oil -----	SAE-10W/40

## CAPACITIES

Maximum Load-----	Double Seat/400lbs
Fuel Tank -----	1.75 Gal
Engine Oil -----	600 mL
Starting -----	<5s
Climbing -----	20° -25°
Battery -----	12V 10Ah
Head Lights -----	12V 35W/35W
Tail Light -----	12V 21W/5W
Fuse -----	10A



# SPECIFICATIONS

---

Brake Track ----- < 7 m@20miles/h  
Top Speed ----- 30 miles/h (or limited as customers require)

## CHASSIS

Front, Rear Brake ----- Hydraulic disc, left foot control  
Front Tire ----- 20 x 7-8  
Rear Tire ----- 22 x 10 -10  
Front Suspension ----- Independent Dual A-Arm  
Rear Suspension ----- Swing Arm/Double Oil Damped Shock  
Restraint System ----- Dual 4-point Harness  
Final Drive Chain ----- (KMC) O-Ring Chain

## TIRE PRESSURE

Front -----68.95kPa/cm<sup>2</sup> 0.7kgf/cm<sup>2</sup> 10psi  
Rear -----68.95kPa/cm<sup>2</sup> 0.7kgf/cm<sup>2</sup> 10psi

## WEIGHT

Net Weight ----- 539 lbs

# OPERATION

## A. Operation controls

**WARNING** - Do not attempt to start or operate the engine until you are completely familiar with the location and use of each control necessary to operate this vehicle. The operator must know how to stop this machine before starting and driving it.

### a. Throttle

The right foot pedal is the throttle that controls the kart speed. As the engine speed increases above idle, the clutch automatically engages and moves the vehicle forward. To disengage the clutch at any time, allow the throttle to return to the idle position.

(See Fig. 1)

### ! WARNING

Each time prior to starting the engine, check the throttle assembly to ensure that when the pedal is pushed all the way forward the assembly is working smoothly and returns to idle when released. Do not operate if pedal or engine throttle linkage fail to return to idle. If unable to correct the problem through lubrication, adjustment or replacement of worn parts, contact your dealer for assistance.

### b. Brake

The brake is located on the left side of the kart (See Fig.1). Applying pressure to the pedal draws the brake caliper around the brake pump at the rear wheel and slows or stops the kart.

### c. Start Engine

Insert the key into key-switch, turn the key clockwise, release the key when the engine starts. The engine will warm up within 5 minutes and the engine choke will close automatically and operate at the normal RPM (Warning: Don't crank starter more than 5 seconds at one time).

### d. Engine Stop Button

Important-stop button test. Before driving this vehicle, test the engine stop button to assure that it is operating properly. With the engine running, push and hold the engine stop button for two seconds for the engine to shut down.

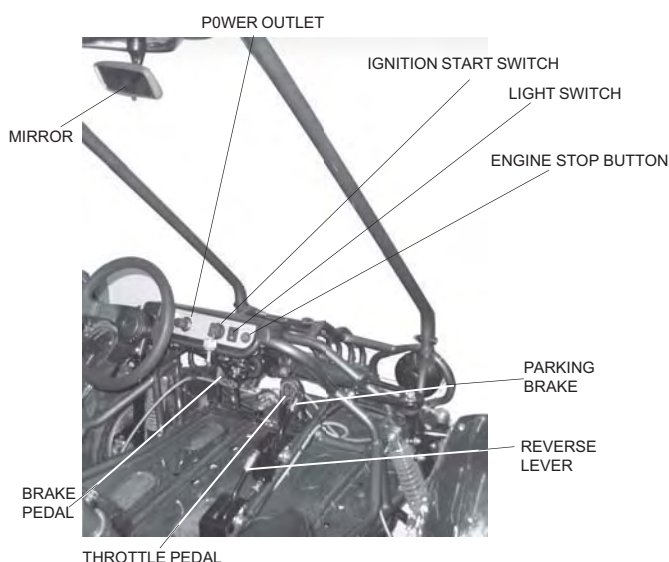


Figure 1

# OPERATION

## B. Pre-Drive Inspection



**Perform this pre-drive inspection everyday before driving vehicle. If not performed, serious damage to the vehicle or personal injury may result.**

- a. Check engine oil level. Check for leaks, add oil if required.
- b. Check fuel level. Add fuel as necessary and do not overfill. Check for leaks.
- c. Check brakes. Depress the rear brake pedal several times, then check for proper brake pedal freeplay. Make sure there is no brake fluid leakage. Adjust if necessary.
- d. Check tires. Check tire condition and pressure. The pressure on both front and rear tires should be 10 psi.
- e. Check drive chain. Check drive chain's condition and tension. Lubricate if necessary.
- f. Check throttle. Check for smooth operation. Assure throttle "snaps" back to idle.
- g. Check engine stop button. Perform engine stop button test. Repair as necessary.
- h. Check all nuts, bolts, and fasteners. Check wheels to see that all axle nuts and lug nuts are tightened properly. Check and tighten as necessary all other fasteners to specified condition.
- i. Check occupant protection bar. Ensure all occupant protection bars are in place before operating the kart.
- j. Check brake light. Check for proper operation.
- k. Check wheels. Check for tightness of wheel nuts and axle nuts; check that axle nuts are secured by cotter pins.
- l. Check steering. Check for free operation for any unusual looseness in any area.



**Always follow rules for safe operation and wear a helmet.**

# OPERATION

## Component locations

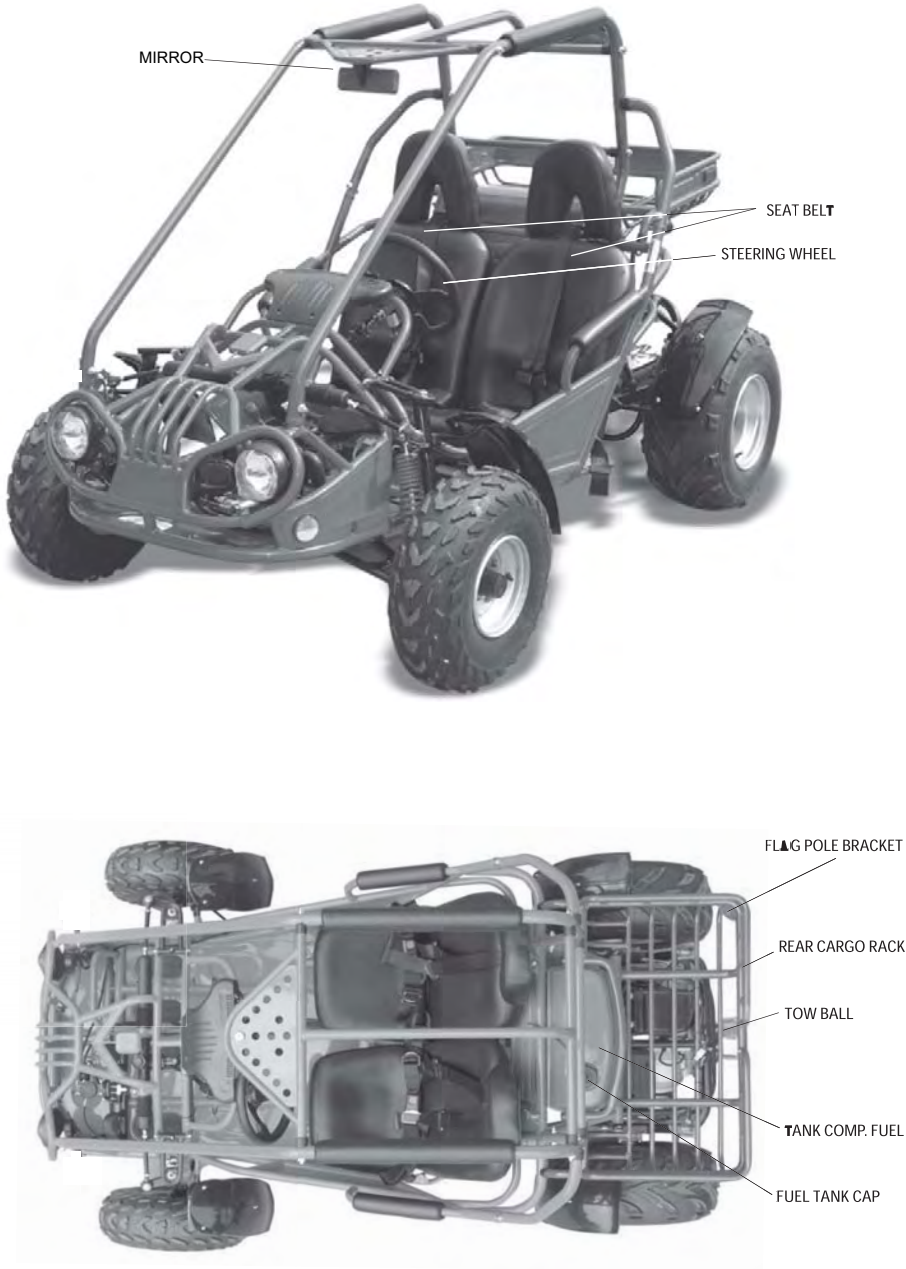


Figure 2

# OPERATION

## C. Passengers

The vehicle allows for two riders only. Combined maximum weight of driver and the passenger should not exceed 180kg or 400lbs.

## D. Seat Adjustment

The seat must always be securely fastened in the position which best affords the operator control of the foot pedals, steering wheel, and the remote stop button.

- Pull seat adjustment handle upward to disengage seat slide.
- Move seat to desired position.
- Be sure seat adjustment handle snaps back into place and that seat is locked into position.



Figure 3



Before attempting to adjust the seat, ensure that kart engine is stopped.



Never operate this kart when the provided seat is not securely fastened, to do so could result in a strong possibility of severe personal injury or loss of life. Before attempting to adjust the seat, ensure that kart engine is stopped.

## E. Reverse Adjustment

a. Push forward the reverse lever to the "D" position so that the unit can move forward, pull back the lever to "R" so that the unit can move backward. (See Fig.4)

b. When reverse lever is in the forward position, there needs to be 1/2 inch of freeplay in the reverse position. If the adjustment is not correct, loosen the lock nut #2, then adjust lock nut #1 to the proper amount of freeplay. The freeplay may vary, loosen or tighten the lock nut to work properly.

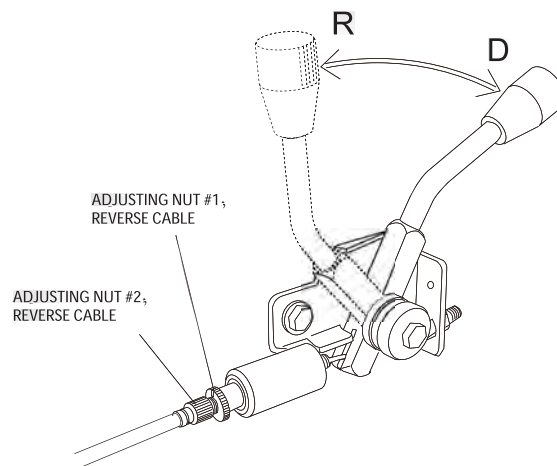


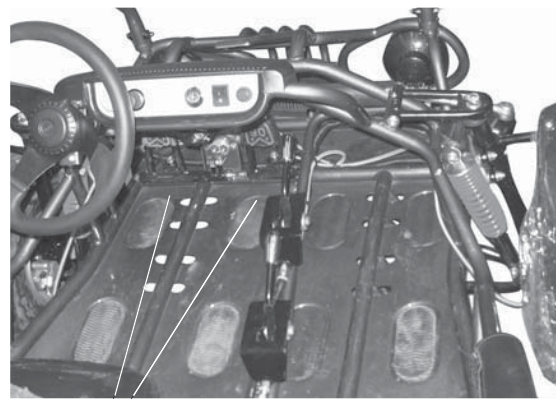
Figure 4

Always stop the kart before changing gears.

# OPERATION/SERVICE INSTRUCTIONS

## F. Starting And Operating Instructions

- a. Before starting the engine, be sure that the driver is seated properly in the kart with the seat belt.
- b. Test the kart in an open space at the beginning to learn how to start, turn and stop.
- c. Operate the kart slowly until you are familiar with it.
- d. The turning radius of this kart is small and agile, so the centrifugal force is very high when turning at high speed. Slow down to a more controllable speed when turning to prevent the kart from rolling over.
- e. Always turn the vehicle at a slow, controllable speed to prevent the vehicle from turning over. Keep your left heel on the ramp of the main board when turning. Keep your right foot on the accelerator. If at any time the vehicle feels unstable, reduce your speed.



POSITION FOR HEEL

Figure 5

# SERVICE INSTRUCTIONS

## A. Service Air Cleaner

Service air cleaner every 20 hours

NOTE: Service more often under dusty conditions.

- a. Remove cleaner cover.
- b. Remove air cleaner element 2 (see Fig.6).
- c. Blow clean with compressed air or replace as needed.

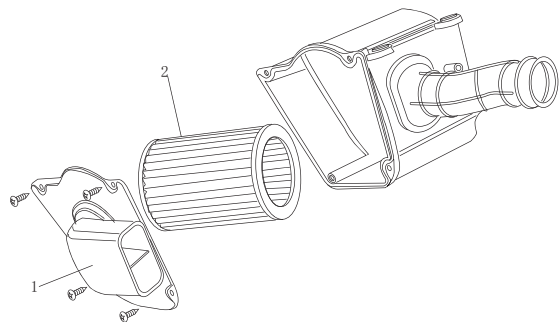


Figure 6

# SERVICE INSTRUCTIONS

## B. Engine Lubrication

You must change the oil in the crankcase after the first 5 hours of operating your new engine (see Fig. 7) and after 10 hours of use thereafter. This will insure proper lubrication of internal parts and prevent costly repairs due to excessive wear.



a. Remove drain plug located on the right rear side of engine. Tip kart backwards slightly by blocking the front tires and drain oil into suitable container.

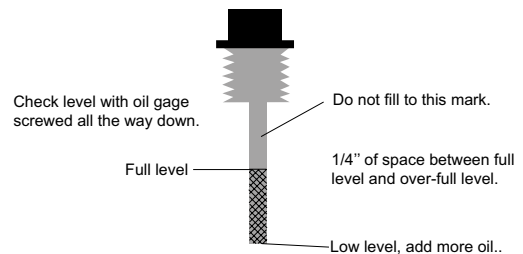
b. Remove and clean oil screen.

c. Replace drain plug and tighten securely.

Place kart in a level position.

d. Refill crankcase (approximately 1-1/4 quarts) to top of filler neck with SAE 10W40 oil.

e. Check oil level before each use of kart or after each 10 hours of operation. Add oil to bring up to proper level. Do not mix various grades of oil.



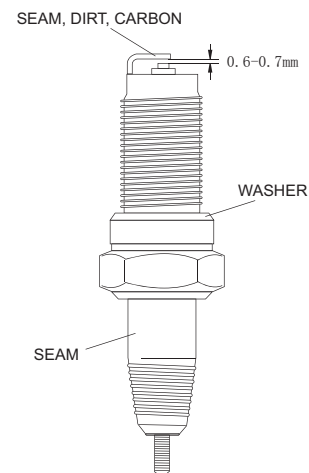
**Figure 7**

## C. Spark Plug

a. Remove the spark plug and inspect it each time you change the oil. (Use a spark plug wrench.) Keep the electrodes clean and free of carbon. The presence of carbon or excess oil will greatly reduce proper engine performance. If possible, check the spark plug gap (area between electrodes) using a wire feeler gauge. This specification is 0.6~0.7mm.

b. Before installing the spark plug, coat threads lightly with graphite grease, if possible, to ensure easy removal in the future.

c. It is advisable to replace the spark plug at least once



**Figure 8**



# SERVICE INSTRUCTIONS

## D. Carburetor Adjustment

Never make unnecessary adjustments. The factory recommended settings are correct for most applications.

- a. Warm up the engine (5~10min)
- b. Tighten the air screw gently. Backout 2-3/8 turns counter clockwise.
- c. Connect the tachometer, adjust the throttle to limit the idle speed. The standard value is 1400RPM.
- d. Turn the air screw counter clockwise slowly and observe the RPM of the engine, stop adjusting as the RPM reaches the top speed.
- e. Adjust the screw and adjust the idle speed to an ideal value.
- f. Recheck and readjust the idle speed if necessary.

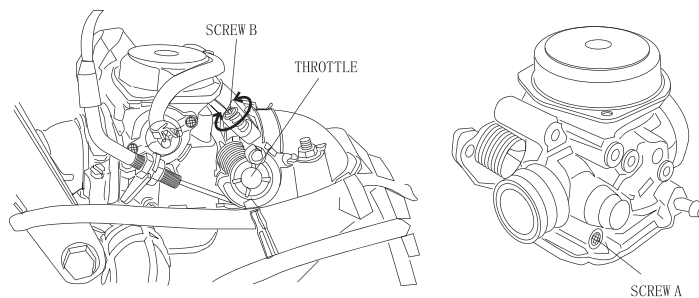


Figure 9

## E. Cleaning Instructions

Keep your kart clean. With a clean rag, wipe off dirt and oil from around controls. Wipe off any spilled fuel and oil. Keep the engine clean of foreign objects, and be sure to check that air intake fan is free of debris for proper cooling.

## F. Kart Lubrication

Lubricate vehicle every 90 days of use. Lubrication should be done sooner if kart is used everyday. See maintenance schedule.

## G. Chain Lubrication

Lubricate chain with a spray-on type chain lubricant to increase the life of the chain (see Fig. 10).

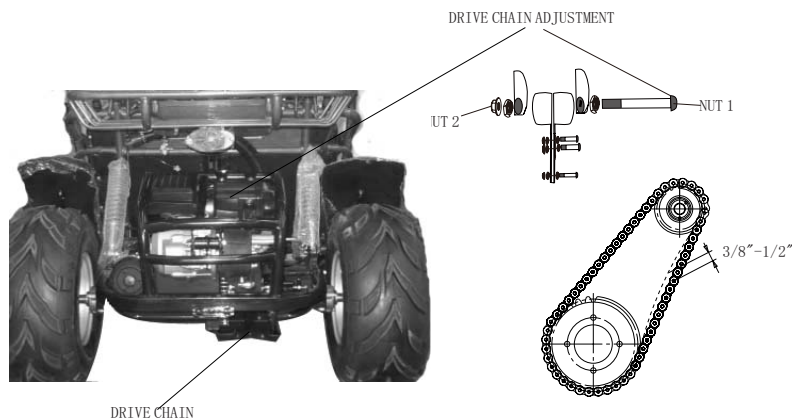


Figure 10



# SERVICE INSTRUCTIONS

## H. Chain Adjustment

Check the chain adjustment after the first two hours of use. Readjust if it has more than 1/2" flex.

- Loosen Nut #1.
- Adjust Nut #2. Turn Nut #2 clockwise in 1/2 turn increments, then turn nut #1 until tight.  
Follow this procedure until chain is at proper tension (see Fig. 10).
- Repeat the above two steps until chain is adjusted to desired fit.

## I. Adjustment of Front And Rear Shocks

There are five adjustable positions on each shock.

The default position is in the middle (see Fig. 11).

Use a round nut wrench or a spanner wrench to adjust the shock. The tension of the shock spring will increase as you screw to the left, and will decrease as you screw to the right. Adjust accordingly to the weight of the riders.

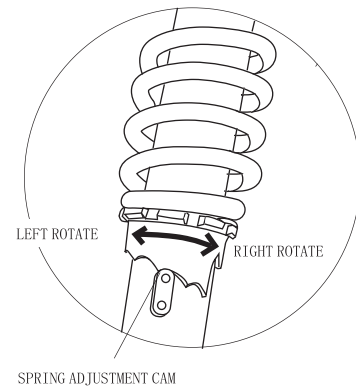


Figure 11

## J. Storage Instruction

In the event that your kart is not to be operated for a period exceeding 30 days, or at the end of each driving season, prepare for storage as follows:

- Drain fuel tank and carburetor by allowing engine to run out of fuel, and use a fuel stabilizer.
- Lubricate engine cylinder by removing the air cleaner, then spray engine fogging oil through the carburetor until motor dies.
- Do not save or store gasoline over winter. Using old gasoline, which has deteriorated from storage, will cause hard starting and affect engine performance.

### WARNING

Do not drain fuel while engine is hot. Be sure to move kart outside before draining fuel.

# REPAIR

## A. Front Wheel Replacement

Do not disassemble the castle nuts when you replace the front wheels.

It is only necessary to remove the four (4) lug nuts to remove the wheel. (See Fig. 12)

Tighten the nuts after replacing the wheels.

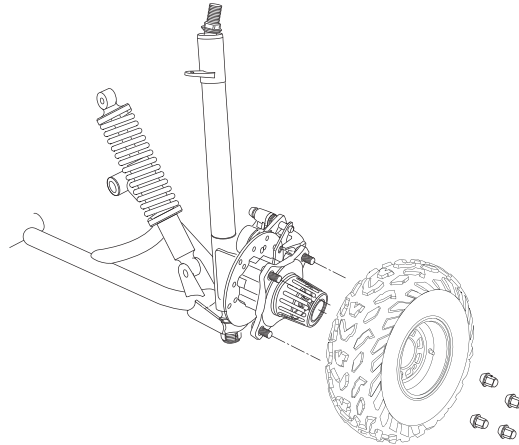


Figure 12

## B. Rear Wheel Replacement

Do not disassemble the castle nuts when you replace the rear wheels and hub assembly.

Remove the cotter pin and the 24mm nut. Then slide off wheel and hub assembly.

It is only necessary to remove the four (4) lug nuts to remove the wheel by itself.

(See Fig. 13).

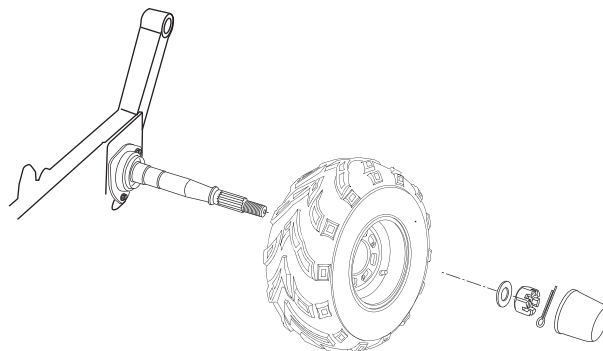


Figure 13

# REPAIR

## C. Front Wheel Alignment

a. The front wheels should have a “toe-in” from 1/8” to 1/4”. To check for alignment, measure distance A and B between the centerline (CL) of the wheels. The proper toe-in dimension A should be 1/8” – 1/4” greater than dimension B.

b. To adjust the alignments, loosen the lock nuts on both sides of Front Tie Rods. To make Dimension B smaller, turn the rod to the left. Adjust the rod to the right direction to make Dimension B larger. After adjusting to the desired length, tighten the lock nut against the rod end. Recheck the dimensions for proper alignment.

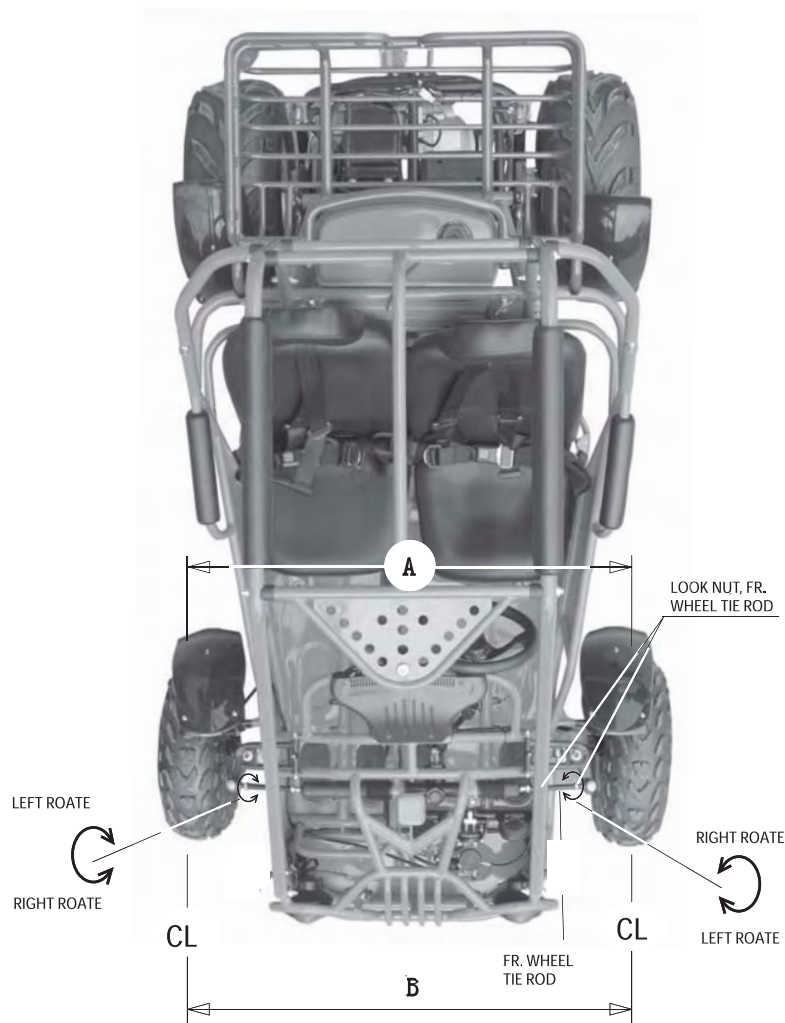


Figure 14

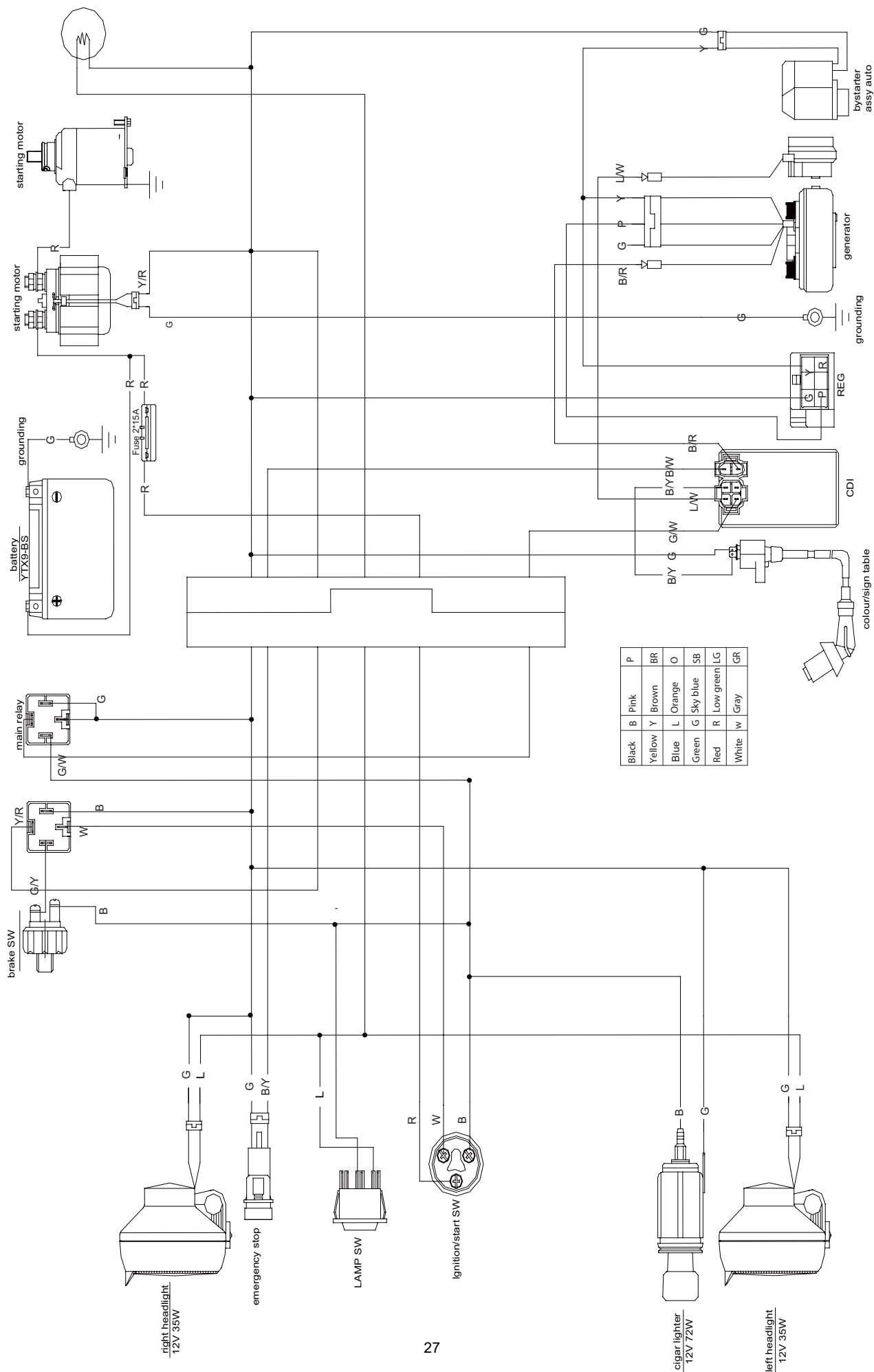
# PERIODICAL CHECK AND SERVICES

The maintenance intervals in the following table are based upon average driving conditions. Driving in unusually dusty areas requires more frequent servicing.

Items \ Time of service	Initial service (first week)	Monthly	Quarterly	Yearly
Tire pressure/wear	I	I		
Brake performance	I	I		
Tightness of screws	I	I		
Air cleaner		C		R
Carburetor	I			C
Spark plug			C, A	
Drive chain	I	C, I, L	A	
Brake oil	I	I	I	
Replace gearbox oil		I	R	
Chassis	I	C, I	L	
Fuel switch/fuel tank		I		C
Battery			I	
Valve clearance of engine			A	
Oil change			R	

A: Adjust C: Clean I: Inspect (clean or replace if necessary) L: Lubricate R: Replace

# WIRING DIAGRAM



# INITIAL ASSEMBLY INSTRUCTIONS

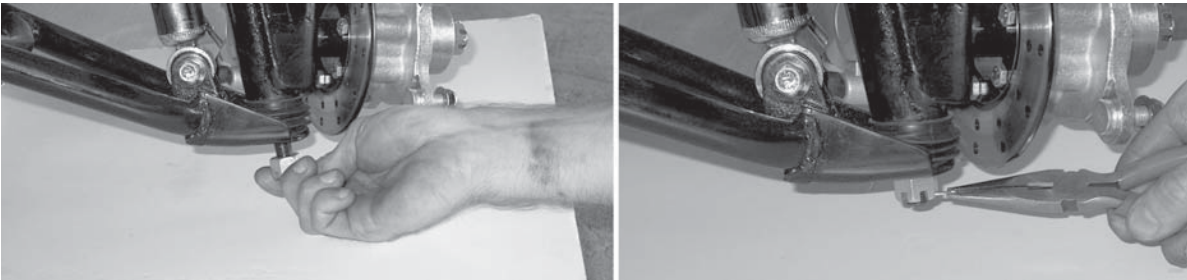
TOOLS NEEDED			
Floor jack	8mm wrench	14mm socket/extension	24mm socket/extension
Needle nose pliers	10mm wrench/socket	17mm wrench/socket	
Protective gloves	12mm wrench/socket	19mm wrench/socket	

## 1. LIFT THE KART

In order to assemble the front suspension and steering, the front of the kart must be lifted high enough to install the front tires. We recommend that two people lift the front of the kart while a third person places a rear tire underneath.

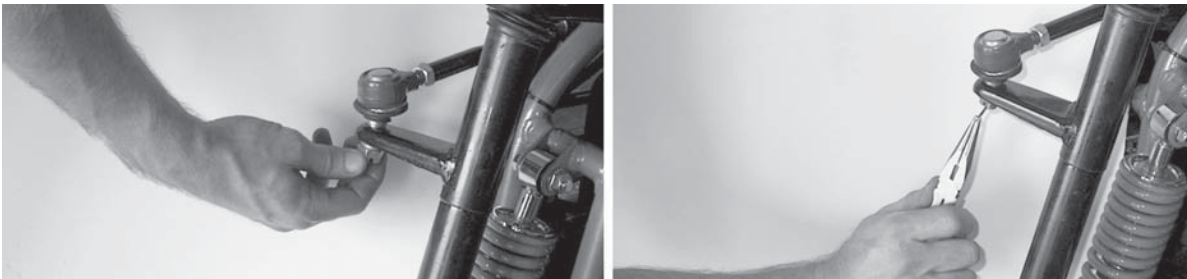
## 2. ASSEMBLE FRONT SUSPENSION

- Insert bottom stud of strut into square cutout of lower suspension arm. Square of strut and suspension arm **MUST** be aligned.
- Tighten castle nut securely with 19mm wrench/socket and lock with cotter pin and needle nose pliers.
- Perform this same procedure on both left and right sides.



## 3. ASSEMBLE STEERING LINKAGE

- Attach tie rod end to strut by inserting ball joint stud into steering arm of strut.
- Place flat washer, then lock washer on stud. Secure with castle nut using 17mm wrench/socket. Lock with cotter pin and needle nose pliers.
- Perform this same procedure on both left and right sides.



# INITIAL ASSEMBLY INSTRUCTIONS

## 4. FRONT TIRES

- A. Remove lug nuts from front hub.
- B. Place tire in position by aligning the holes in the wheel with the lugs.
- C. Tighten lug nuts with 14mm socket with extension.
- D. Perform this same procedure on both left and right sides.



## 5. CARGO RACK

- A. Position the rack so that the inserted ends align with the holes in the frame behind the seat. Tighten with 10mm wrench/socket.
- B. Once in position tighten the rack supports with a 10mm wrench/socket and 12mm wrench/socket.



## 6. REAR SHOCKS

- A. Place floor jack under square tubing located under seat. Lift kart until rear shock mounts align with eyeholes in shock. Insert bolt.
- B. Tighten lock nut using 14mm and 12mm wrenches/sockets.
- C. Perform this same procedure on both left and right sides.





# INITIAL ASSEMBLY INSTRUCTIONS

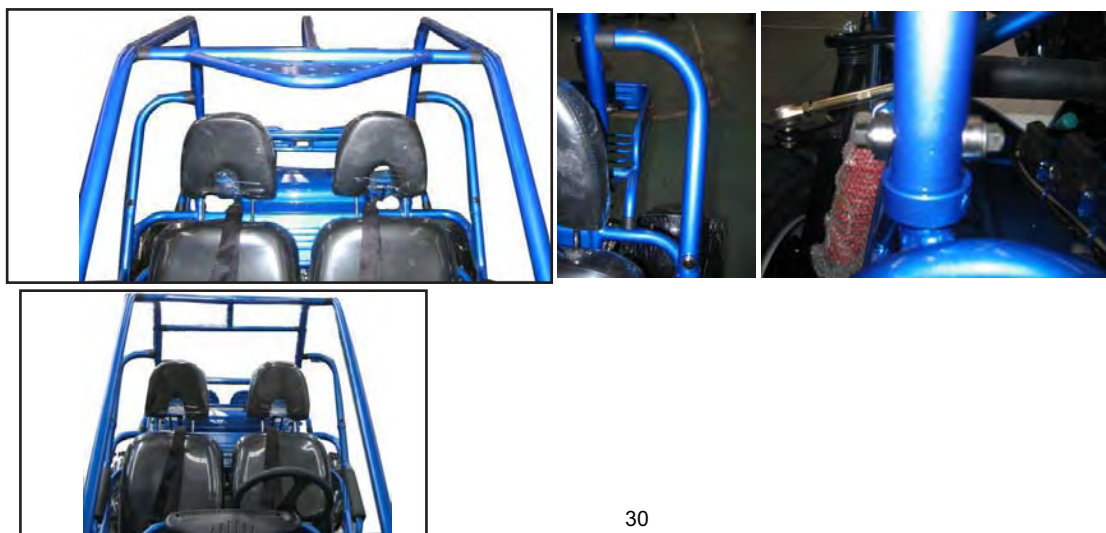
## 7. REAR TIRE

- A. Slide rear wheel/hub assembly onto axle. Splines must be aligned in order for the assembly to properly fit.
- B. Place small washer, then large washer on axle. Tighten castle nut with 24mm socket with extension.
- C. Lock with cotter pin and needle nose pliers
- D. Perform this same procedure on both left and right sides



## 8. BRUSH BARS

- A. Place main bars in proper location by putting the open ends over the bar mounts located on the frame.
- B. On each end insert bolt with washer on each side and finger tighten with lock nut.
- C. Place each shoulder bar over the shoulder bar mounts on the frame. Line the holes of the bars up with those of the mounts. Insert bolt with washer on each side and finger tighten with lock nut.
- D. Align the top of the shoulder bars up with the holes in the main bar. Insert a bolt and washer and finger tighten.
- E. Place top cross bar between the main bars with hoop pointing towards the front of the kart. Align holes of the top cross bar with holes in the main bars. Insert a bolt and washer for each hole and finger tighten. Before placing the two cross bars in between, you must use an 8mm wrench to tap and chase the threads and clean the paint/debris out of the bolt holes.
- F. Place bottom cross bar between main bars toward the rear of the kart. Align holes of bottom cross bar with holes in main bars. Insert bolt and washer and finger tighten.
- G. With all members of the brush bar in place, secure tightly with 10mm wrench/socket and 12mm wrench/socket.





# INITIAL ASSEMBLY INSTRUCTIONS

## 9. WHEEL CAP

Place one rubber wheel cap on each wheel.



## 10. STEERING WHEEL

Place the steering wheel on mount, align the holes and tighten with 10mm wrench/socket. Snap steering wheel cap into place.



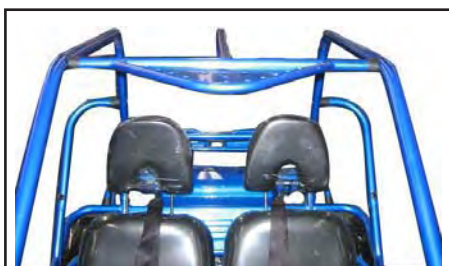
## 11. FENDERS

- A. Install front fenders by inserting the turned down stud of the fender mount into the fender sleeve on the frame.
- B. Insert provided bolt into the mounting hole and tighten the fender to the frame with 8mm and 10mm wrench.
- C. Install the rear fenders to the swing arm by placing the square cut-out ends over the rectangle tubing.
- D. Align the holes of the fender mounts with those of the swing arm, and tighten with 10mm wrench/socket.



## 12. HEADRESTS

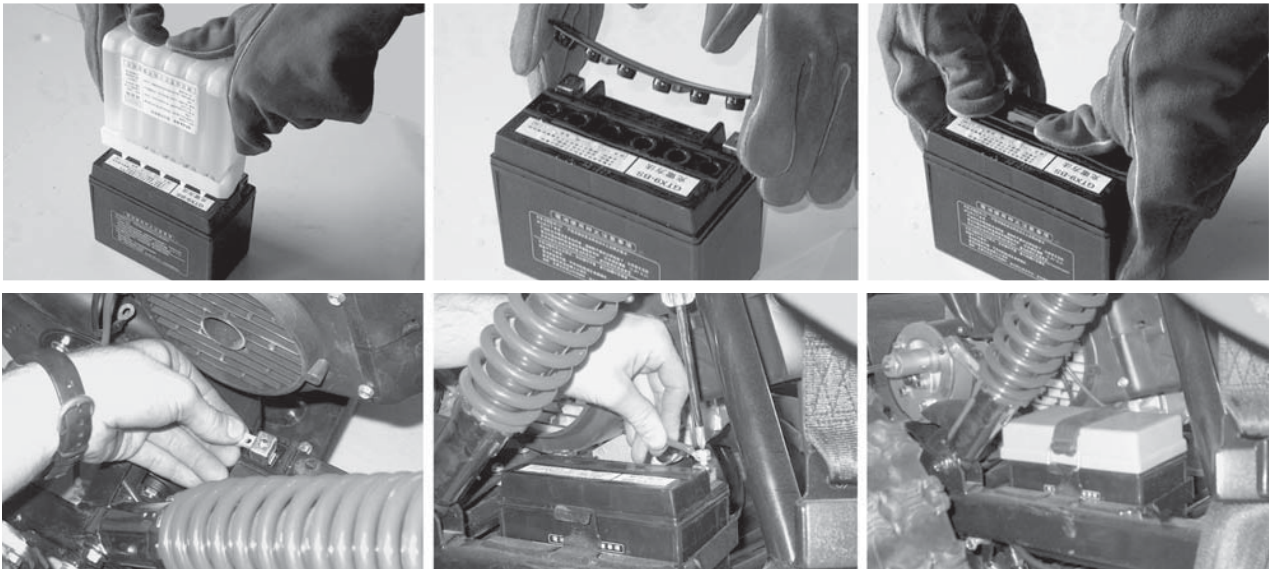
Put headrests in designated holes as shown in the picture below.



# INITIAL ASSEMBLY INSTRUCTIONS

## 13. BATTERY

- A. Put on protective gloves.
- B. Remove strip covering acid ports from battery
- C. Place funnel into acid ports on battery. With funnel aligned in battery press acid container firmly into funnel allowing the acid to flow into the battery.
- D. Allow all acid to drain from container.
- E. let the battery sit with cap off for 10 minutes.
- F. Let the battery charge for 30 minutes on a 2-3 amp charger with the cap off then press cap firmly, closing all ports securely.
- G. Position battery into battery holder on swing arm.
- H. Place rectangular nuts provided with battery under each post.
- I. Tightly fasten red cable to + pole and black or green cable to - pole.
- J. Place battery cover on top of battery and secure with rubber strap.



## 14. TAIL LIGHT

- A. Remove the nut and lock washer from each bolt in tail light.
- B. Mount tail light to kart by inserting the bolts in the tail light through the holes in the bottom crossbar. Tighten with 8mm wrench. Be sure not to over tighten.





**ACE**  
*SPORTS*

239 County Road 4435  
Brundidge, AL 36081  
[www.acesportsonline.com](http://www.acesportsonline.com)  
P: 1-888-562-9ACE  
F: 1-888-562-8ACE

# PARTS MANUAL

## COMPONENT LOCATIONS

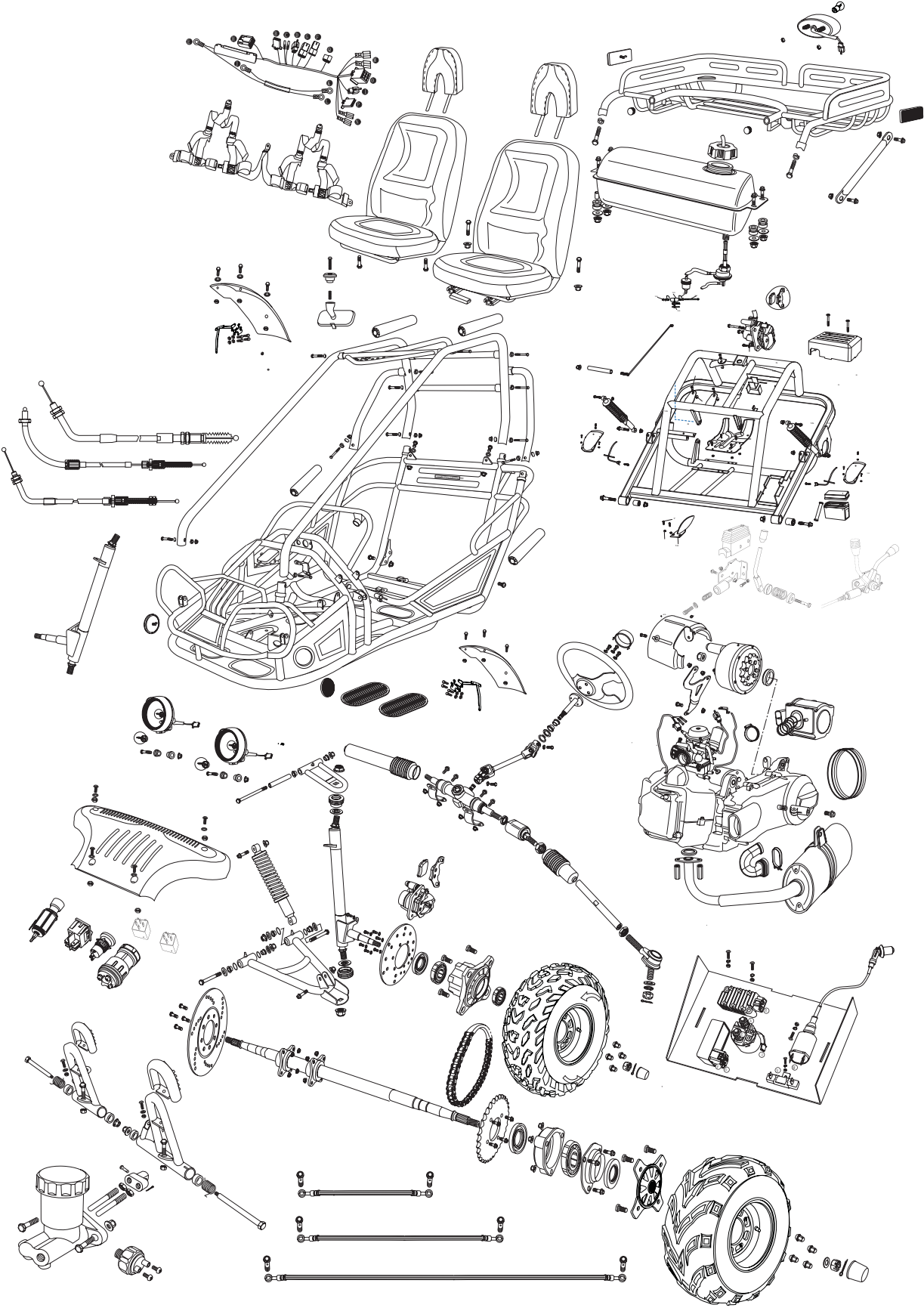
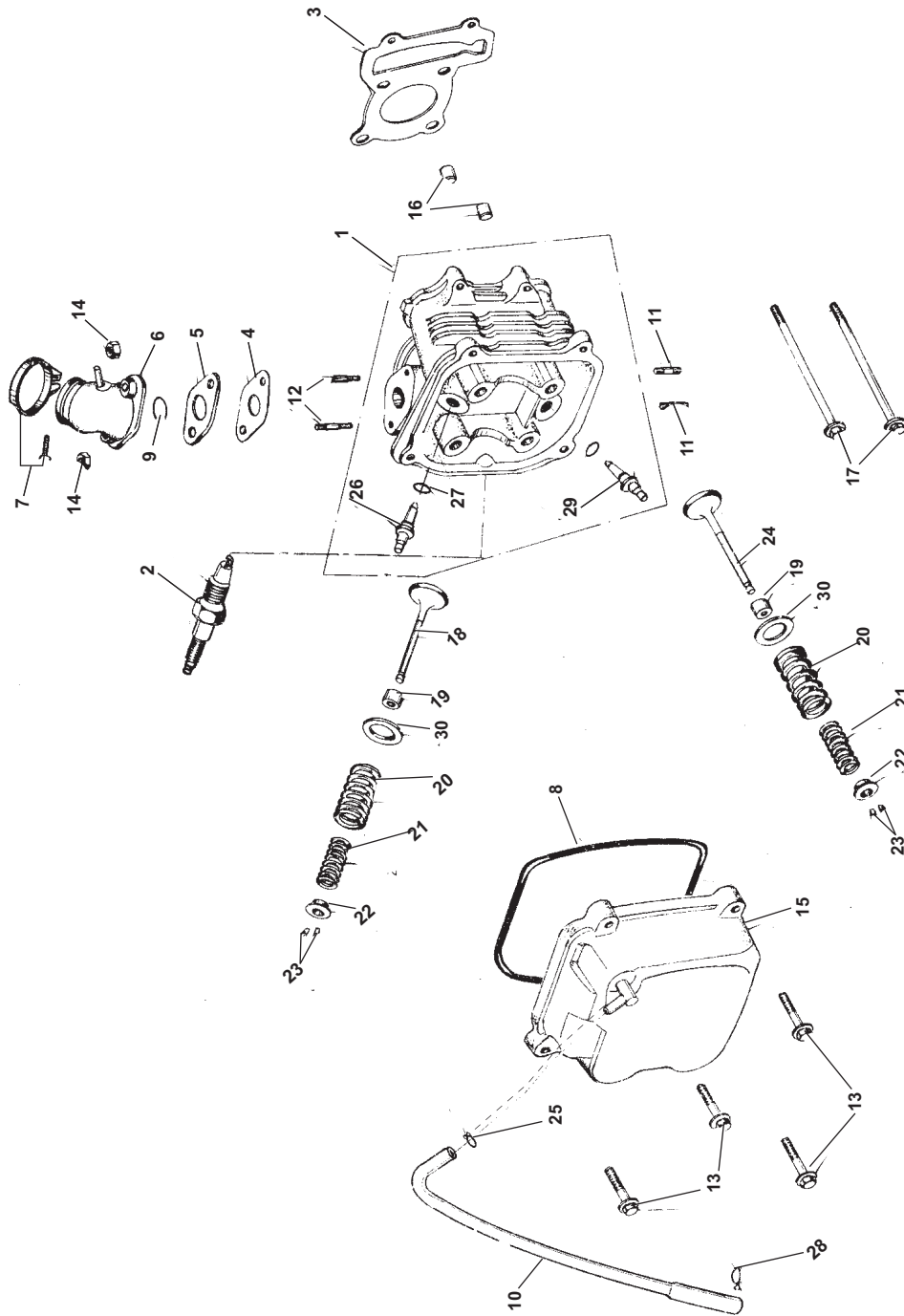


FIG.1 CYLINDER HEAD ASSEMBLY



# MAXXAM PARTS MANUAL

Fig.1 CYLINDER HEAD ASSEMBLY

REF.	PART NO.	DESCRIPTION	QTY
1	513-1000	Cylinder Head Comp	1
2	513-1077	Spark Plug (C7HSA NGK)	1
3	513-1001	Cylinder Head Gasket	1
4	513-1002	Carburetor Gasket Insulator	1
5	513-1003	Carburetor Insulator	1
6	513-1004	Intake Pipe Comp	1
7	513-1081	Insulator Band	1
8	513-1005	Head Cover Gasket	1
9	513-1006	O-Ring 27x2	1
10	613-0029	Breather Tube	1
11	600-0068	Stud Bolt M06x32	2
12	500-1001	Stud Bolt M06x50	2
13	500-1302	Flange Bolt M6x25	4
14	500-1031	Flange Nut M6-ZN.D	2
15	513-1008	Cylinder Head Cover Comp	1
16	500-1002	Dowel Pin M10x16	2
17	500-1304	Flange Bolt M6x100	2
18	513-1009	Intake Valve	1
19	513-1010	Valve Stem Seal	2
20	657-0004	Outer Valve Spring	2
21	657-0005	Inter Valve Spring Inner	2
22	557-1002	Valve Spring Retainer	2
23	513-1011	Cotter Valve	4
24	513-1012	Exhaust Valve	1
25	600-0030	Tube Clamp A 12M	1
26	613-0010	In Valve Guide	1
27	613-0011	O-Ring 9x1.6	2
28	613-0012	Tube Clamp B (D 8.5)	1
29	613-0013	EX Valve Guide	1
30	557-1000	Seat Valve Spring Outer	2



FIG.2 CYLINDER ASSEMBLY

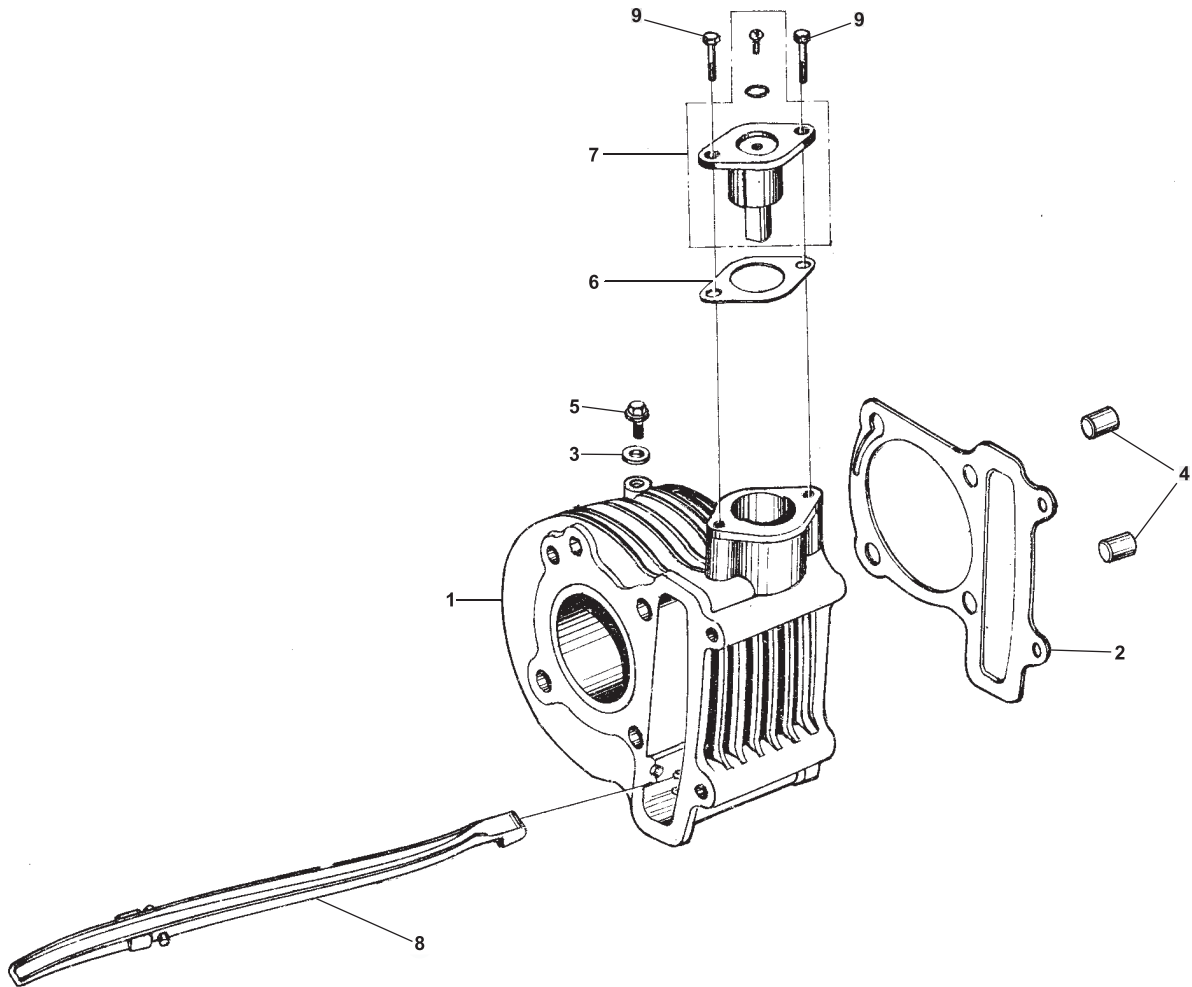


Fig.2 CYLINDER ASSEMBLY			
REF.	PART NO.	DESCRIPTION	QTY
1	513-1013	Cylinder Body Comp	1
2	513-1014	Cylinder Gasket	1
3	500-1305	Washer Sealing M06	1
4	500-1002	Dowel Pin M10x16	2
5	500-1009	Flange Bolt M06x12-ZN.D	1
6	513-1015	Tensioner Lifter Gasket	1
7	513-1016	Tensioner Lifter Assy	1
8	513-1017	Cam Chain Guide Comp	1
9	500-1313	Flange Bolt M06x20	2

FIG.3 CRANKCASE ASSEMBLY (1)

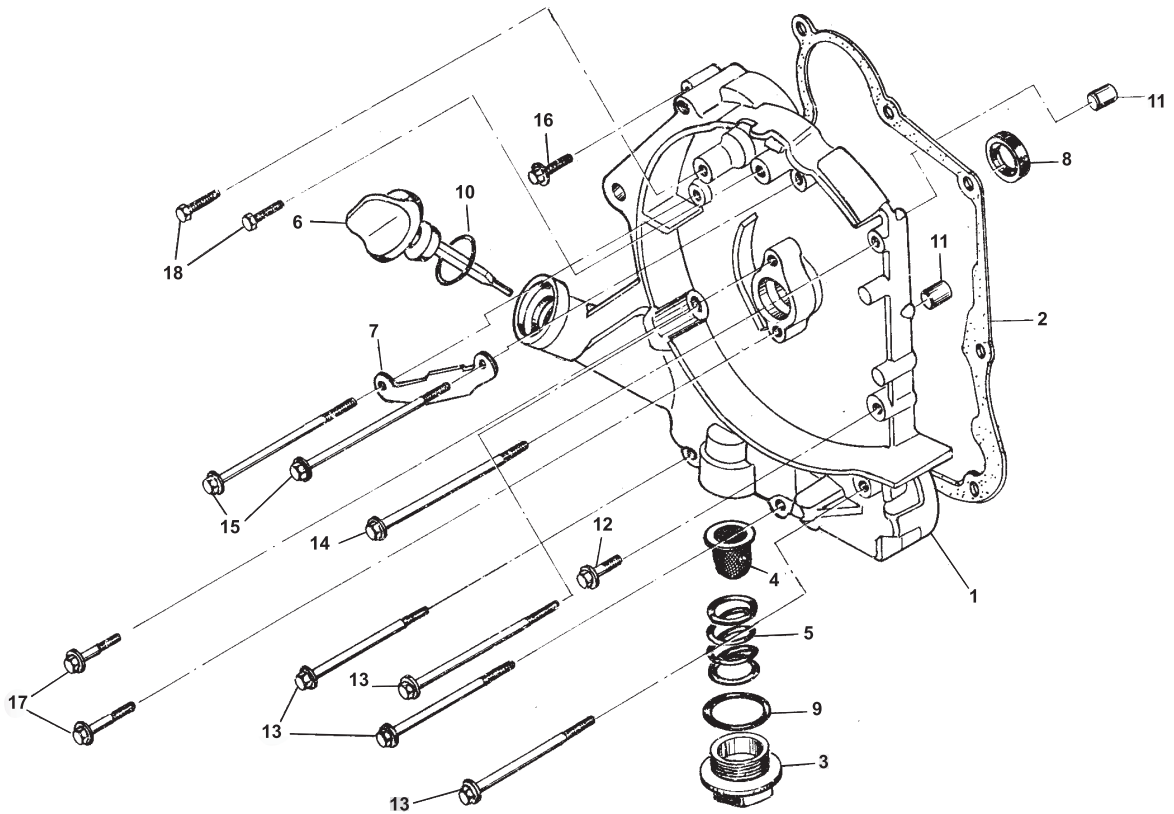
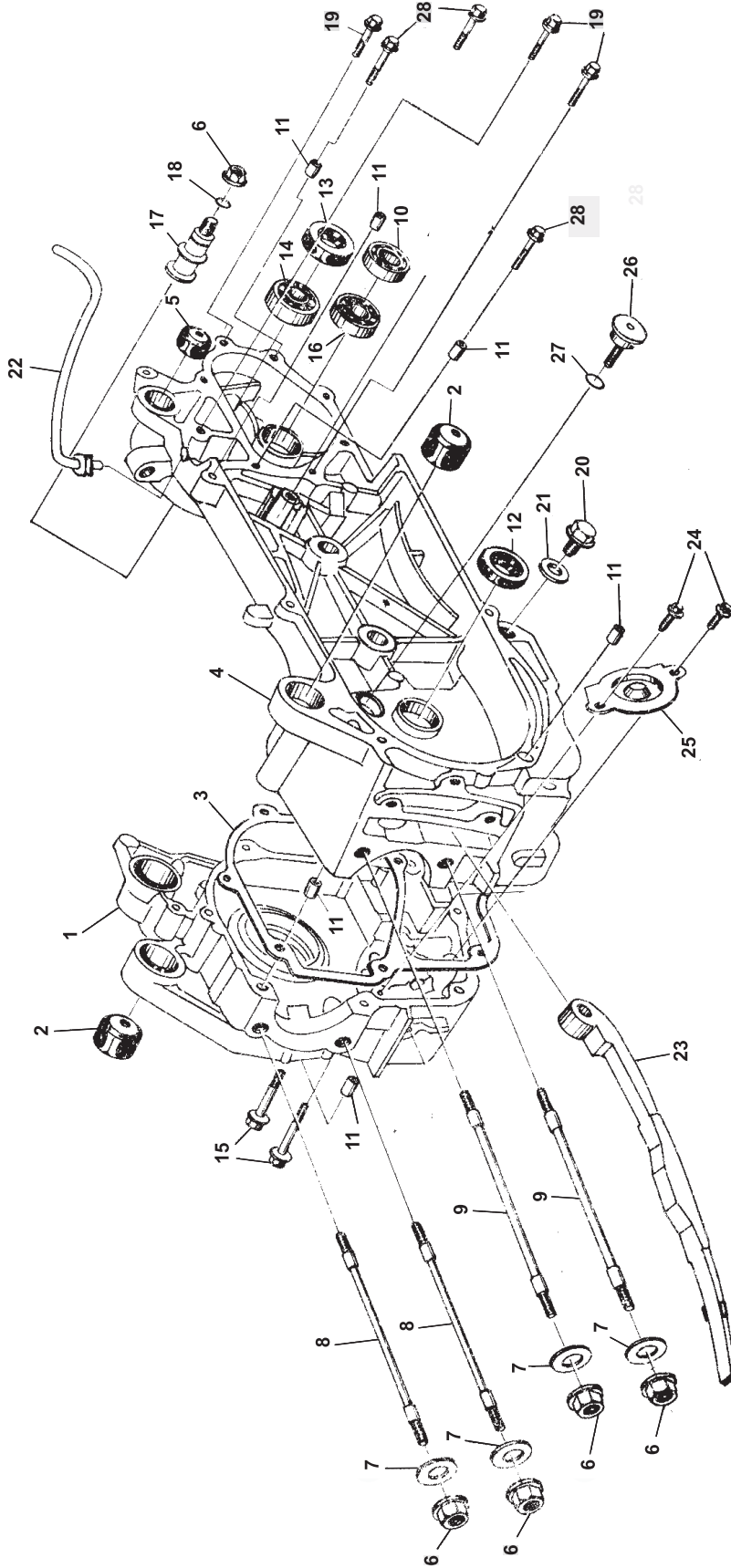


Fig.3 CRANKCASE ASSEMBLY(1)

REF.	PART NO.	DESCRIPTION	QTY
1	513-2015	R Crankcase Cover Comp	1
2	513-1019	Crankcase Cover Gasket	1
3	500-1015	Cap Tappet Adjusting Hole	1
4	513-1020	Oil Filtering Screen	1
5	557-1003	Oil Filtering Spring	1
6	513-1021	Oil Level Stick	1
7	513-1083	AC Generator Cord Clamper	1
8	513-1022	Oil Seal 19.8x30x5	1
9	513-1074	O-Ring 30.8x3	1
10	513-1023	O-Ring 18x3	1
11	500-1308	Dowel Pin M08x14	2
12	500-1309	Flange Bolt M06x28	1
13	500-1310	Flange Bolt M06x95	4
14	500-1304	Flange Bolt M6x100	1
15	500-1311	Flange Bolt M06x110	2
16	500-1057	Flange Bolt M06x35	1
17	500-1313	Flange Bolt M06x20	2
18	500-1314	Hex Bolt M05X12-ZN.D	2



FIG.4 CRANKCASE ASSEMBLY(2)



# MAXXAM PARTS MANUAL

**Fig.4 CRANKCASE ASSEMBLY(2)**

REF.	PART No.	DESCRIPTION	QTY
1	513-2013	R Crankcase Assy	1
2	513-1024	Engine Hanger Rubber Bushing	2
3	513-1025	Crankcase Gasket	1
4	613-3001	L. Crankcase Assy	1
5	513-1026	Bushing RR Cushion Under Rubber	1
6	500-1004	Flange Lock Nut M08	5
7	500-1052	Washer M08	4
8	500-1053	Stud Bolt M08x187.5	2
9	500-1030	Stud Bolt M08x195.5	2
10	522-1301	Radial Ball Bearing E6002	1
11	500-1308	Dowel Pin M08x14	6
12	513-1022	Oil Seal 19.8x30x5	1
13	513-1028	Oil Seal 27x42x7	4
14	522-3005	Radial Ball Bearing E6004-2RS	1
15	500-1054	Flange Bolt M06X50	2
16	522-3006	Radial Ball Bearing E6310	1
17	513-1029	Brake Shoe Anchor Pin	1
18	513-1030	Oil Seal 7.5x15	1
19	500-1302	Flange Bolt M6x25	3
20	500-1016	Bolt M12-Drain Plug	1
21	500-1005	Washer M12-Drain Plug	1
22	513-1031	Breather Tube	1
23	513-1032	Cam Chain Tensioner	1
24	500-1009	Flange Bolt M06x12	2
25	513-1084	Oil Separator	1
26	513-1070	Pivot Cam Chain Tensioner	1
27	513-1033	Oil Seal 15.2x12	1
28	500-1057	Flange Bolt M06x35	3

FIG.5 CRANKSHAFT CONROD & PISTON ASSEMBLY

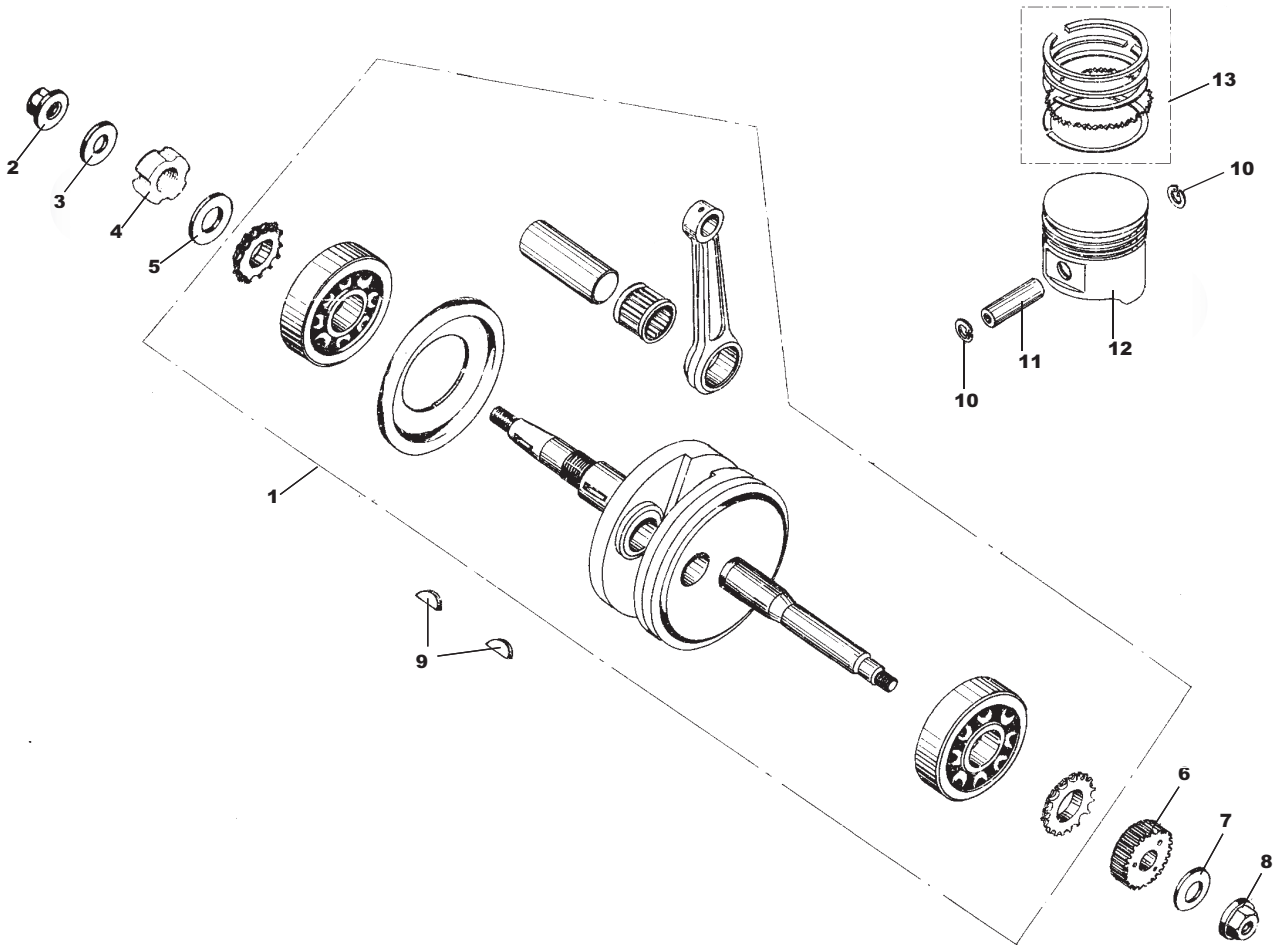


Fig.5 CRANKSHAFT CONROD & PISTON ASSEMBLY

REF.	PART NO.	DESCRIPTION	QTY
1	513-1034	Crankshaft & Conrod Assy	1
2	513-1088	Flange Nut- Compression M12	1
3	500-1038	Washer 12-149 HV 12-140HV	1
4	500-1023	Lock Nut M22	1
5	500-1024	Washer M22	1
6	513-1086	Kick Drive Gear	1
7	500-1032	Washer M12	1
8	513-1088	Flange Nut- Compression M12	1
9	513-1068	Woodruff Key	2
10	513-1035	Piston Pin Clip	2
11	513-1036	Piston Pin	1
12	513-1037	Crankshaft Piston	1
13	513-1038	Piston Ring Set	1

FIG.6 CAMSHAFT ASSEMBLY

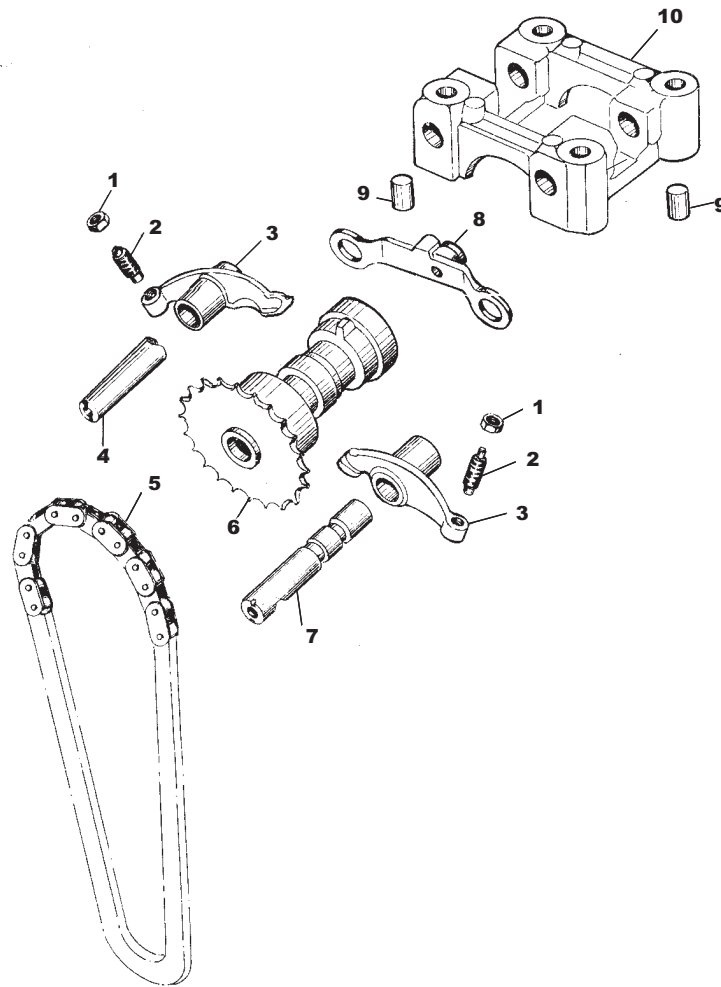


Fig.6 CAMSHAFT ASSEMBLY			
REF.	PART NO.	DESCRIPTION	QTY
1	500-1006	Tappet Adjusting Nut	2
2	500-1007	Tappet Adjusting Screw	2
3	513-2004	Valve Rocker Arm	2
4	513-1027	Exhaust Rocker Arm Shaft	1
5	513-1039	Camshaft Chain	1
6	513-1073	Camshaft Comp	1
7	513-1072	Intake Rock Arm Shaft Comp	1
8	513-2008	Stopper Plate Comp	1
9	500-1002	Dowel Pin M10x16	2
10	513-1067	Camshaft Holder	1

# FIG.7 LEFT COVER ASSEMBLY

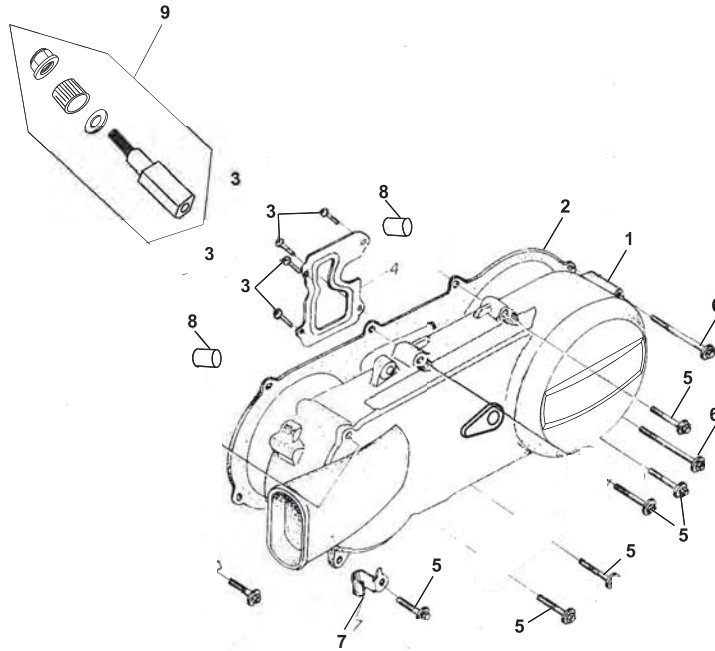


Fig.7 LEFT COVER ASSEMBLY

REF.	PART NO.	DESCRIPTION	QTY
1	540-1006	L Cover	1
2	513-1040	L Cover Gasket	1
3	500-1060	Screw ST 4.2x8-F-H	4
4	513-2009	L Cover Plate	1
5	600-0063	Flange Bolt M06x40	6
6	500-1061	Flange Bolt M06x65	1
7	613-0015	Breather Drain Tube Clamper	1
8	500-1308	Dowel Pin M08x14	2
9	613-0030	Spindle Comp Kick Starter Assy	1

FIG.8 FAN COVER AND SHROUD ASSEMBLY

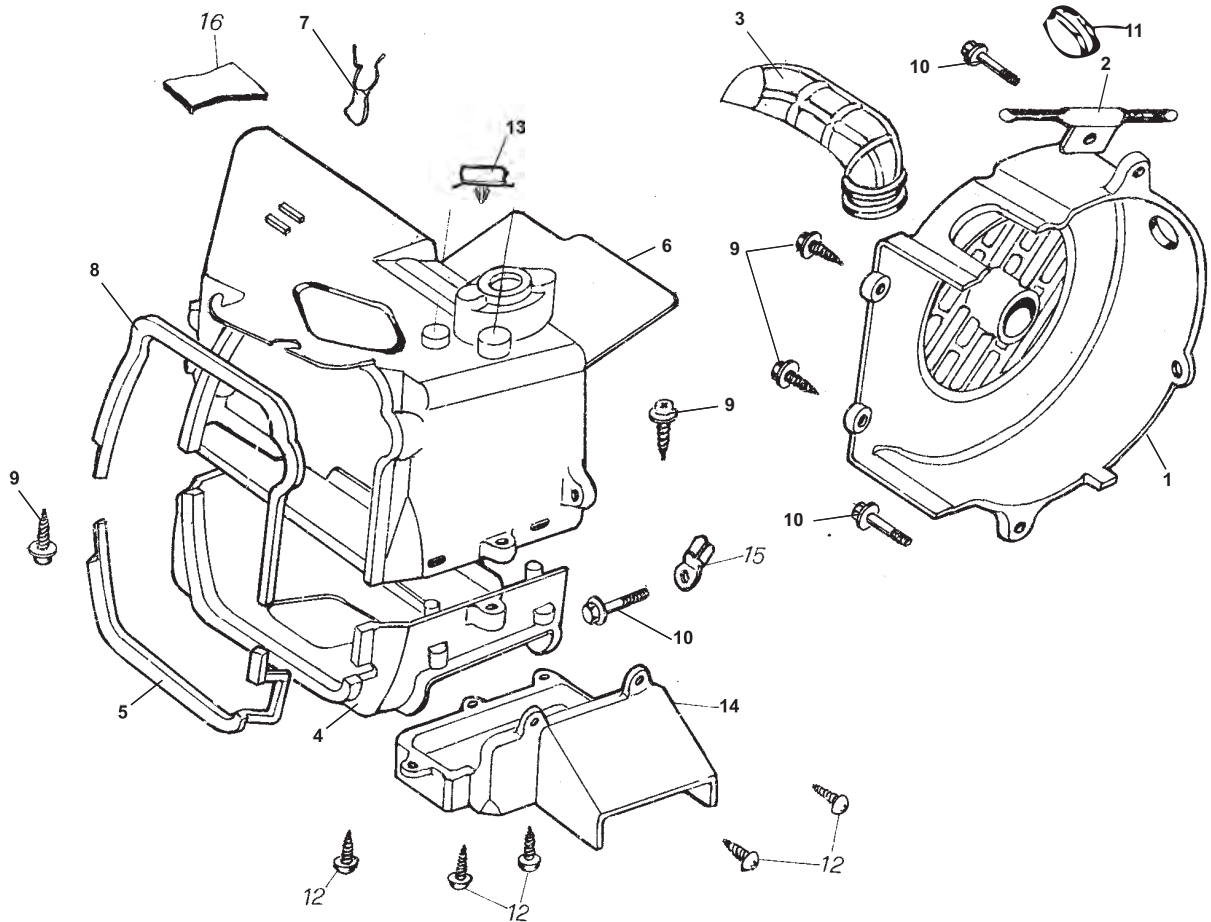


Fig.8 FAN COVER AND SHROUD ASSEMBLY

REF.	PART NO.	DESCRIPTION	QTY
1	513-1043	Fan Cover Comp	1
2	513-2010	Starter Cable Clamber	1
3	513-2011	Cooling Duct	1
4	513-3014	Lower Shroud	1
5	513-1078	Lower Shroud Seal	1
6	513-3015	Upper Shroud Comp	1
7	513-3022	High Tension Cord Clip	1
8	513-1079	Upper Shroud Seal	1
9	500-1062	Screw ST 4.8X16-F	4
10	500-1302	Flange Bolt M6x25	3
11	613-0016	Grommet B Side Panel	1
12	600-0032	Screw ST 4.8x12-F	4
13	613-0017	Side Panel Plug	1
14	613-0018	Dust Shroud	1
15	613-0019	Carb Drain Tube Clamber	1
16	613-0020	Grommet Shroud(B)	1

FIG.9 OIL PUMP ASSEMBLY

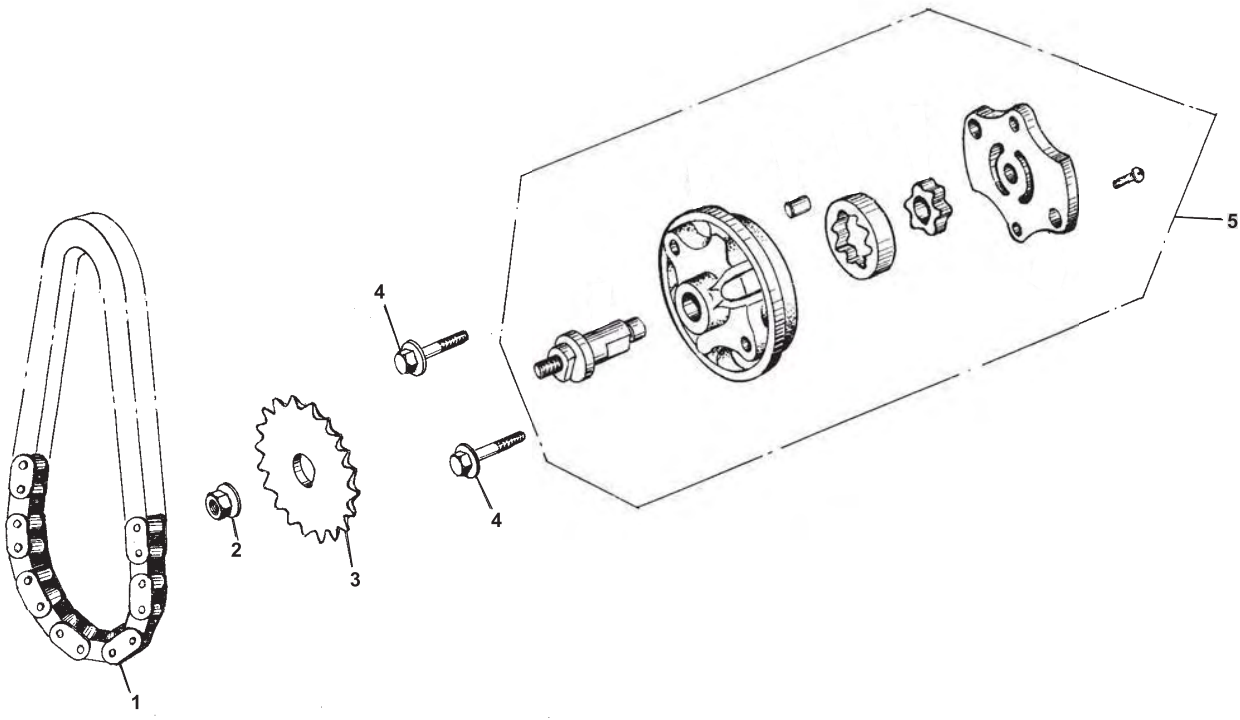


Fig.9 OIL PUMP ASSEMBLY			
REF.	PART NO.	DESCRIPTION	QTY
1	513-1044	Oil Pump Chain	1
2	500-1064	Flange Lock Nut M06	1
3	513-2012	Oil Pump Driven Sprocket	1
4	500-1302	Flange Bolt M6x25	2
5	513-1045	Oil Pump Sub Assy	1

FIG.10 DRIVEN PULLEY AND CLUTCH SUBASSEMBLY

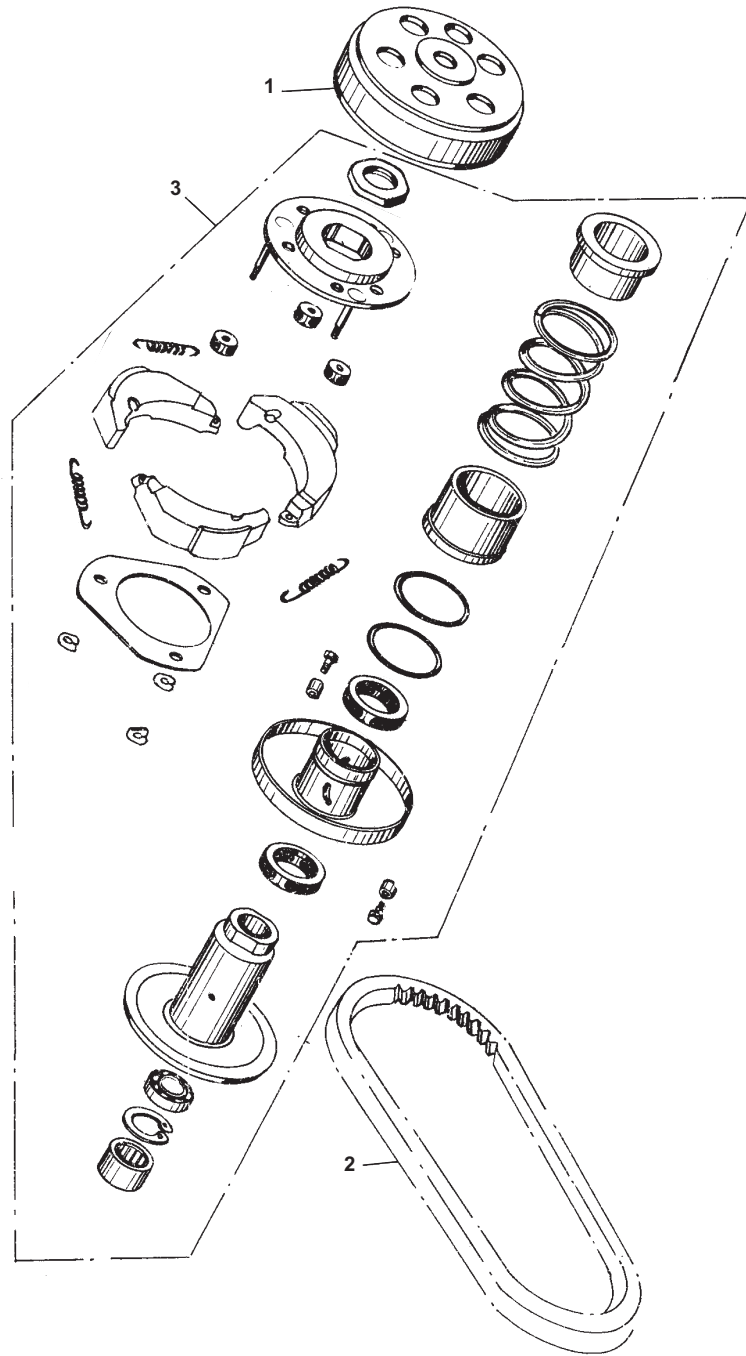


Fig.10 DRIVEN PULLEY AND CLUTCH SUBASSEMBLY

REF.	PART NO.	DESCRIPTION	QTY
1	539-1004	Outer Clutch Assy	1
2	513-1046	Drive Belt	1
3	513-1047	Driven Pulley Assy	1



FIG.11 TRANSMISSION ASSEMBLY

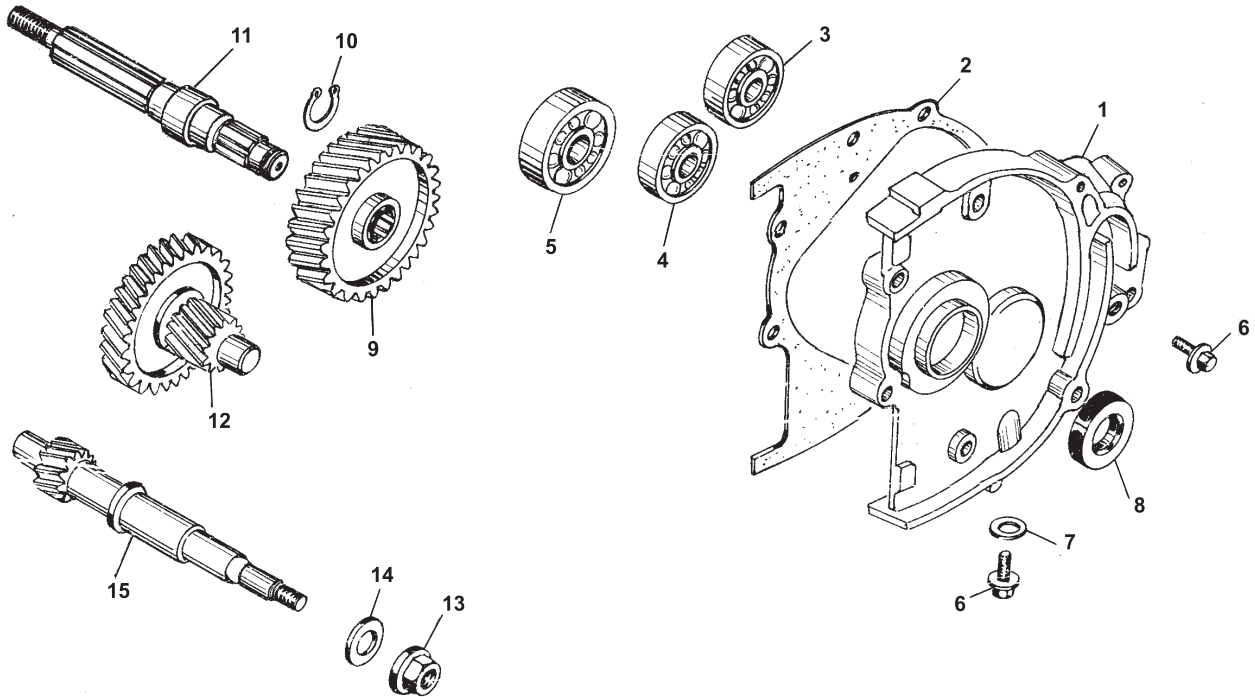


Fig.11 TRANSMISSION ASSEMBLY

REF.	PART NO.	DESCRIPTION	QTY
1	513-1048	Transmission Cover	1
2	513-1049	Transmission Cover Gasket	1
3	513-2200	Radial Ball Bearing E6203	1
4	513-2201	Radial Ball Bearing E6202	1
5	513-2202	Radial Ball Bearing E6204	1
6	500-1025	Flange Bolt M08x12	2
7	500-1052	Washer M08	1
8	513-1050	Oil Seal 20x32x6	1
9.1	513-1087	Final Gear-40 teeth	1
9.2	513-2831	Final Gear-36 teeth	
10	500-1011	Circlip 20	1
11	513-1051	Final Shaft	1
12.1	513-2832	Counter Shaft Comp-13 teeth	1
12.2	513-3023	Counter Shaft Comp-17 teeth	
13	513-1088	Flange Nut- Compression M12	1
14	500-1032	Washer M12	1
15	513-1052	Drive Shaft	1

FIG.12 ELECTRIC SYSTEM

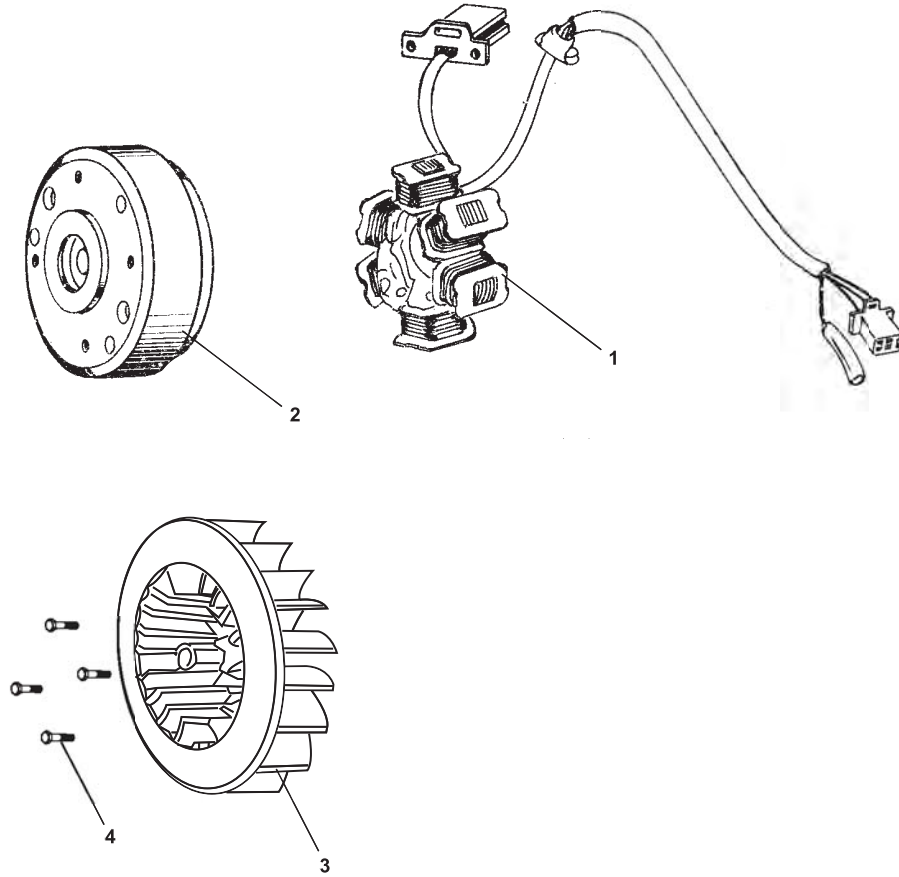


Fig.12 ELECTRIC SYSTEM

REF.	PART NO.	DESCRIPTION	QTY
1	513-2005	Stator Comp-8 pose	1
1.1	513-1053	Stator Comp-6 pose	
2	513-1054	Flywheel Comp-8 pose	1
2.1	513-1154	Flywheel Comp-6 pose	
3	513-1055	Cooling Fan Comp	1
4	500-1065	Flange Bolt M06x18	4

FIG.13 ELECTRIC STARTER ASSEMBLY

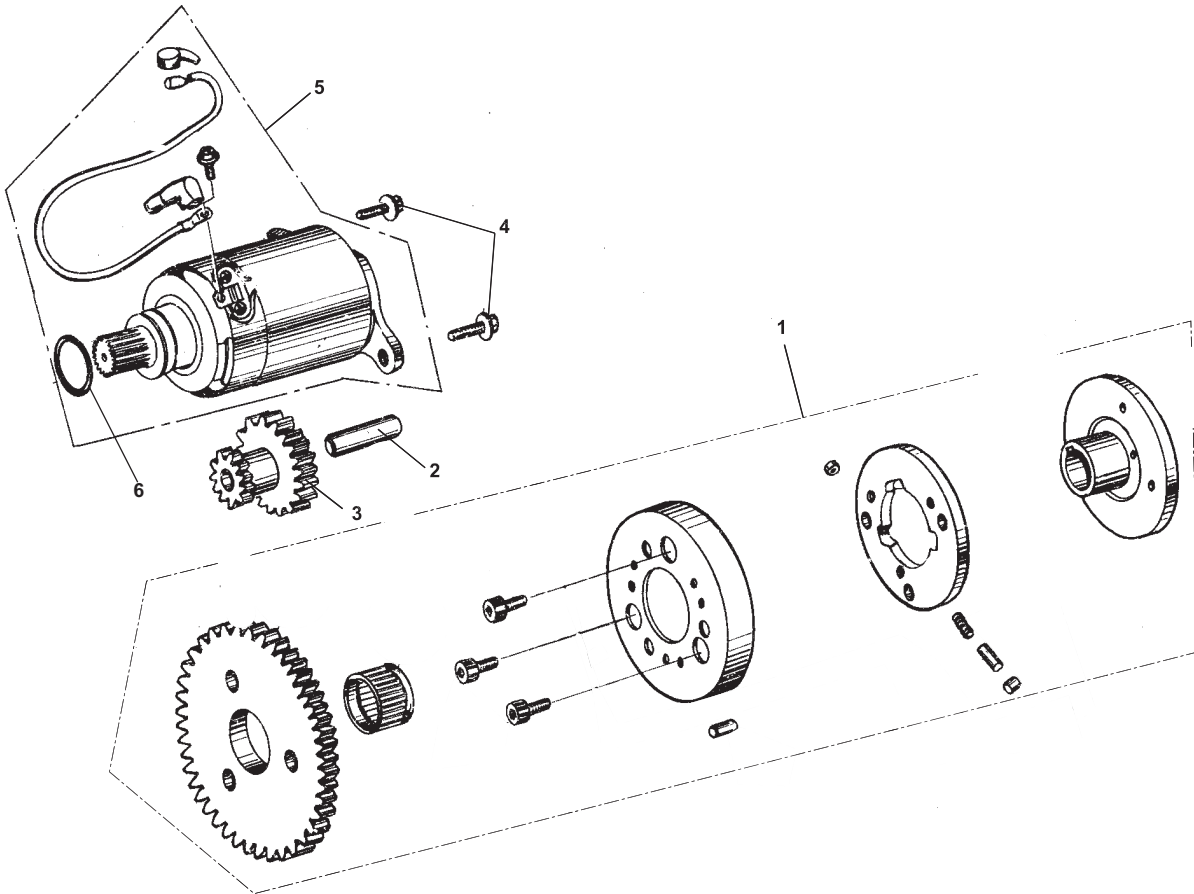


Fig.13 ELECTRIC STARTER ASSEMBLY

REF.	PART NO.	DESCRIPTION	QTY
1	513-1056	Flange Starting Clutch	1
2	513-1090	Starter Reduction Gear Shaft	1
3	513-1058	Reduction Gear	1
4	500-5302	Flange Bolt M06x16	2
5	513-1059	Starter Motor Assy	1
6	613-0021	O-Ring 24.0x3.1	1

FIG14 DRIVE PULLEY SUBASSEMBLY

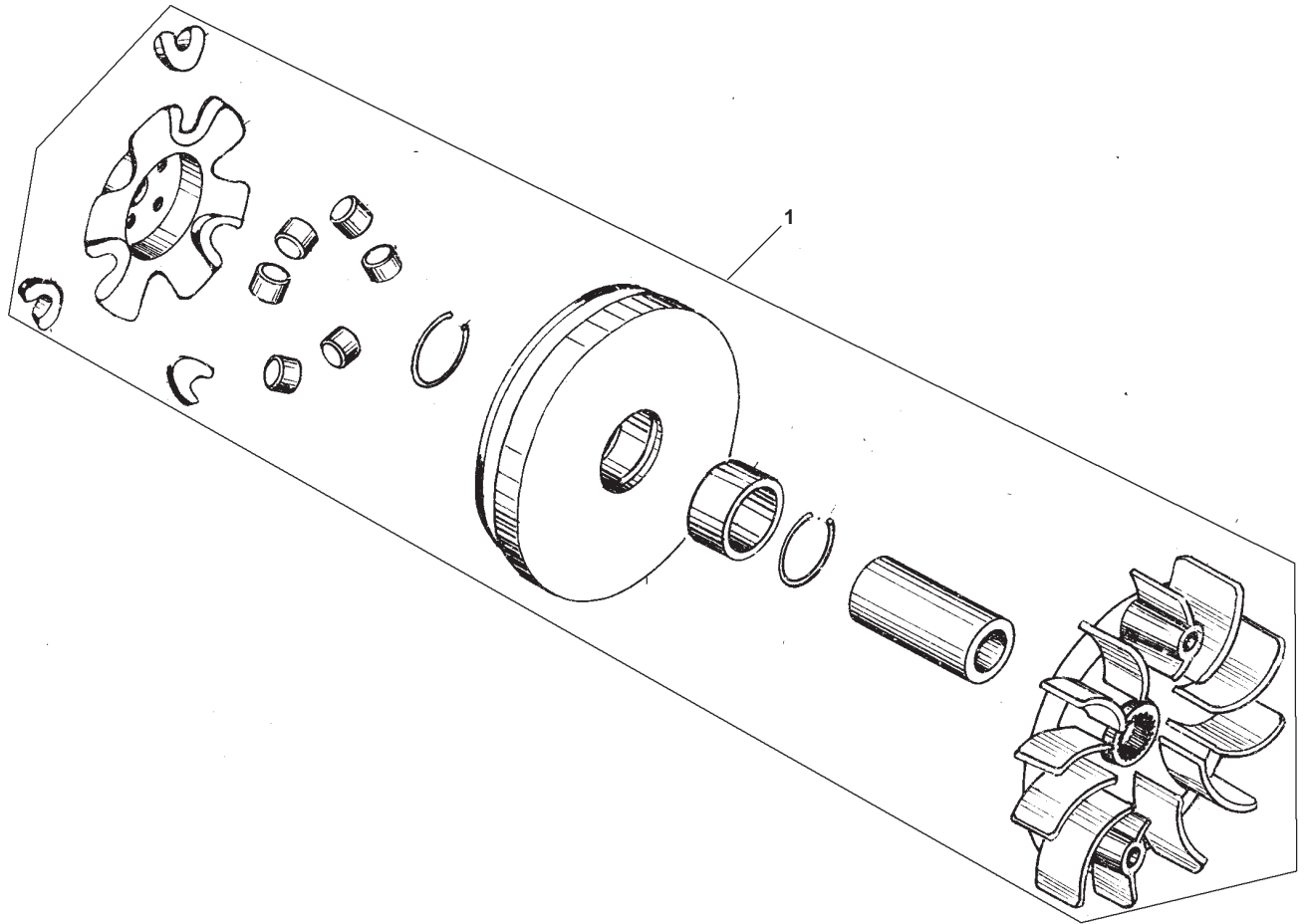
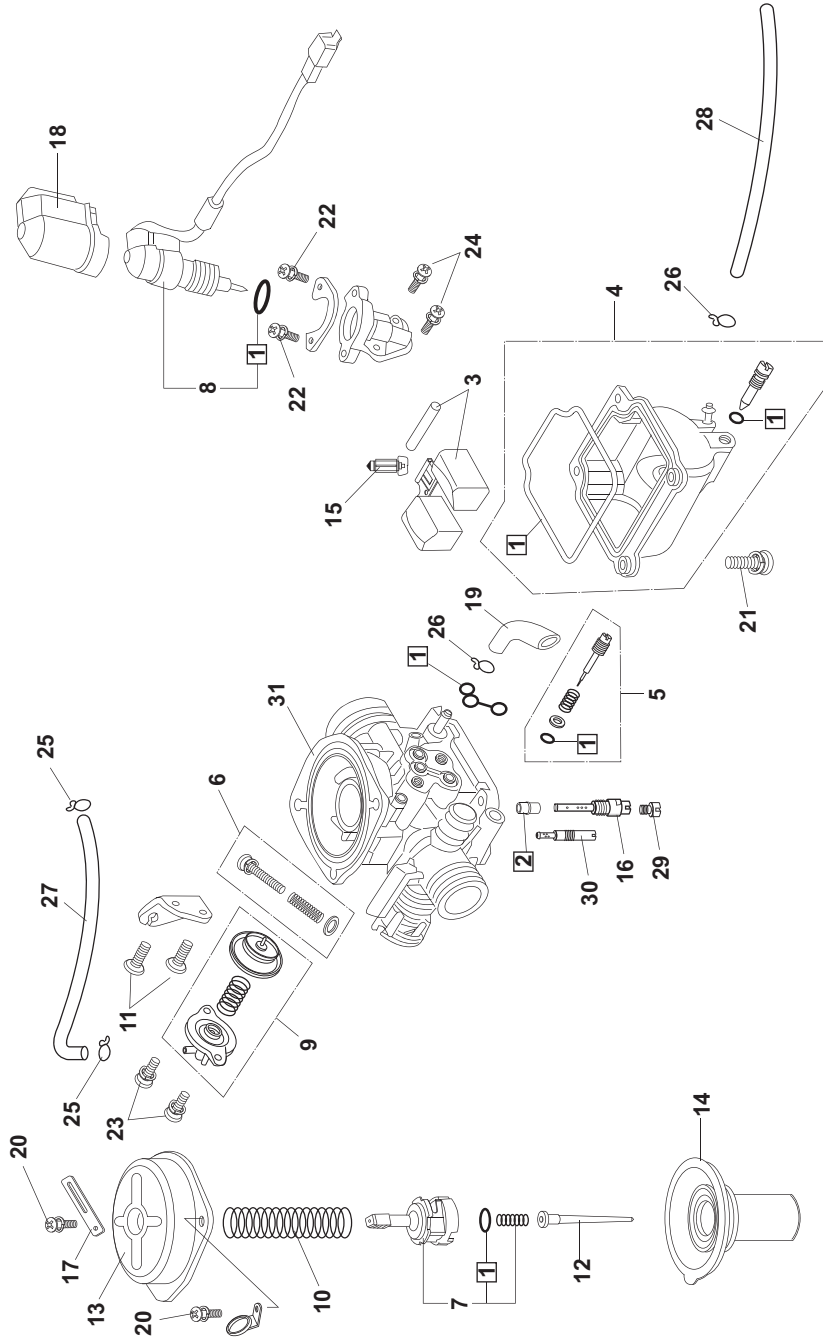


Fig.14 DRIVE PULLEY SUBASSEMBLY

REF.	PART NO.	DESCRIPTION	QTY
1	513-1060	Moveable Drive Pulley Assy	1

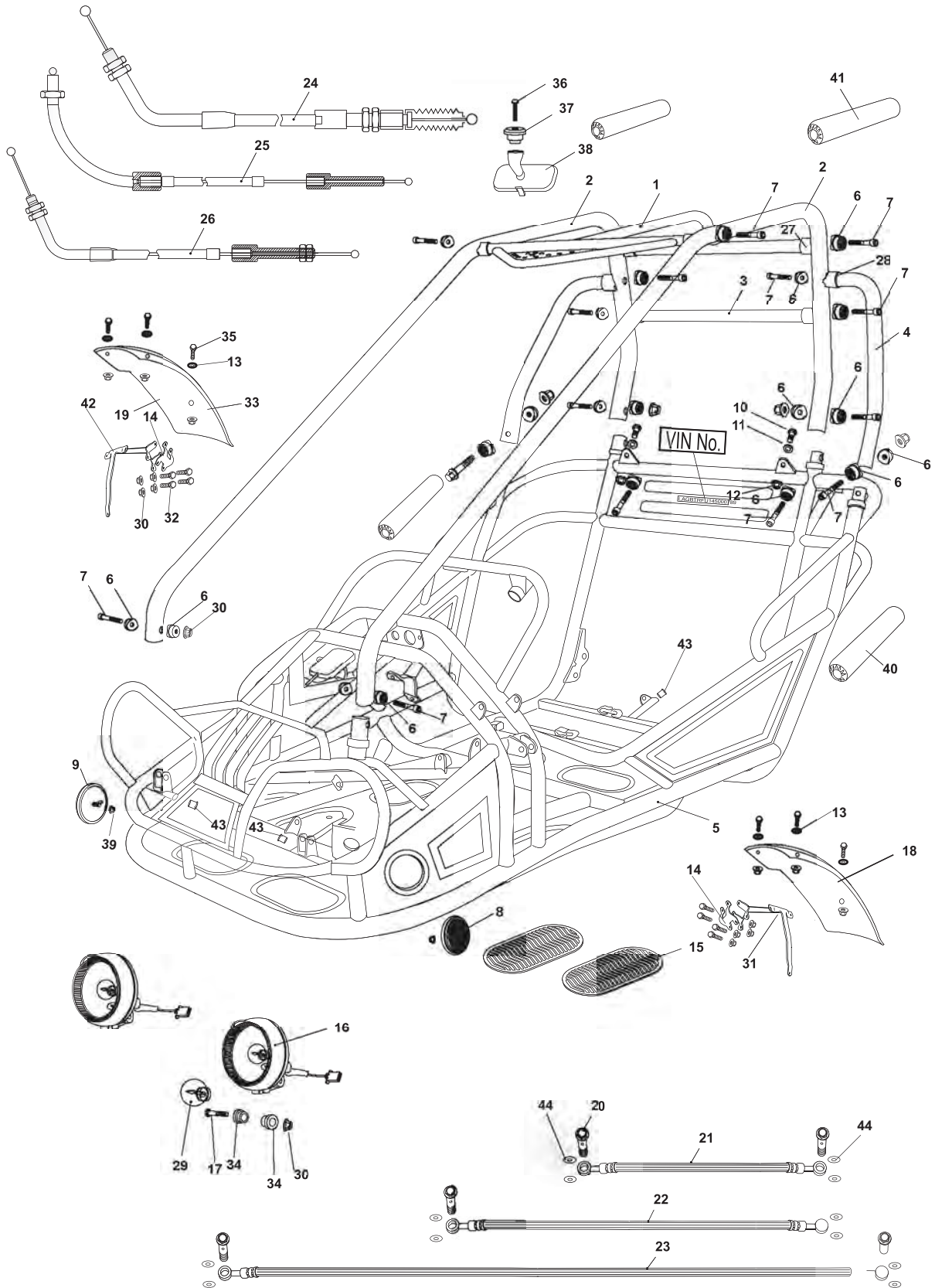
FIG.15 CARBURETOR



## MAXXAM PARTS MANUAL

Fig.15 CARBURETOR			
REF.	PART NO.	DESCRIPTION	QTY
1	513-1061	Gasket Set A	1
2	613-0031	Jet Set	1
3	513-1091	Float Set	1
4	513-1092	Float Chamber Set	1
5	500-1012	Screw Set A	1
6	500-1013	Screw Set B	1
7	513-1063	Valve Plate Set	1
8	513-1064	Auto Bystarter Assy	1
9	513-1065	Air Cut Valve Set	1
10	513-1093	Compression Coil Spring	1
11	500-1066	Pan Screw M05X12	1
12	613-0028	Oil Needle	1
13	513-1094	Carbutetor Top	1
14	513-2003	Vacuum Piston Comp	1
15	513-1069	Float Valve Comp	1
16	513-1095	Needle Jet Holder	1
17	513-1096	Binder	1
18	513-1097	Bystarter Cap	1
19	513-1098	Rubber Tube	1
20	500-1172	Pan Screw M04X8	1
21	500-1179	Pan Screw M4X14	2
22	500-1169	Screw-Washer M04X8	4
23	500-1168	Screw-Washer M04X10	2
24	500-1066	Pan Screw M05X12	2
25	500-1099	Tube Clip (B7-99)	2
26	500-1098	Tube Clip (B8-98)	2
27	513-1099	Oil Tube 3.5X210	2
28	513-1100	Oil Tube	1
29	513-1101	Main Jet # 112	1
30	513-1102	Slow Jet # 35	1
31	513-1103	Carburetor Body	1

FIG.16 FRAME GROUP

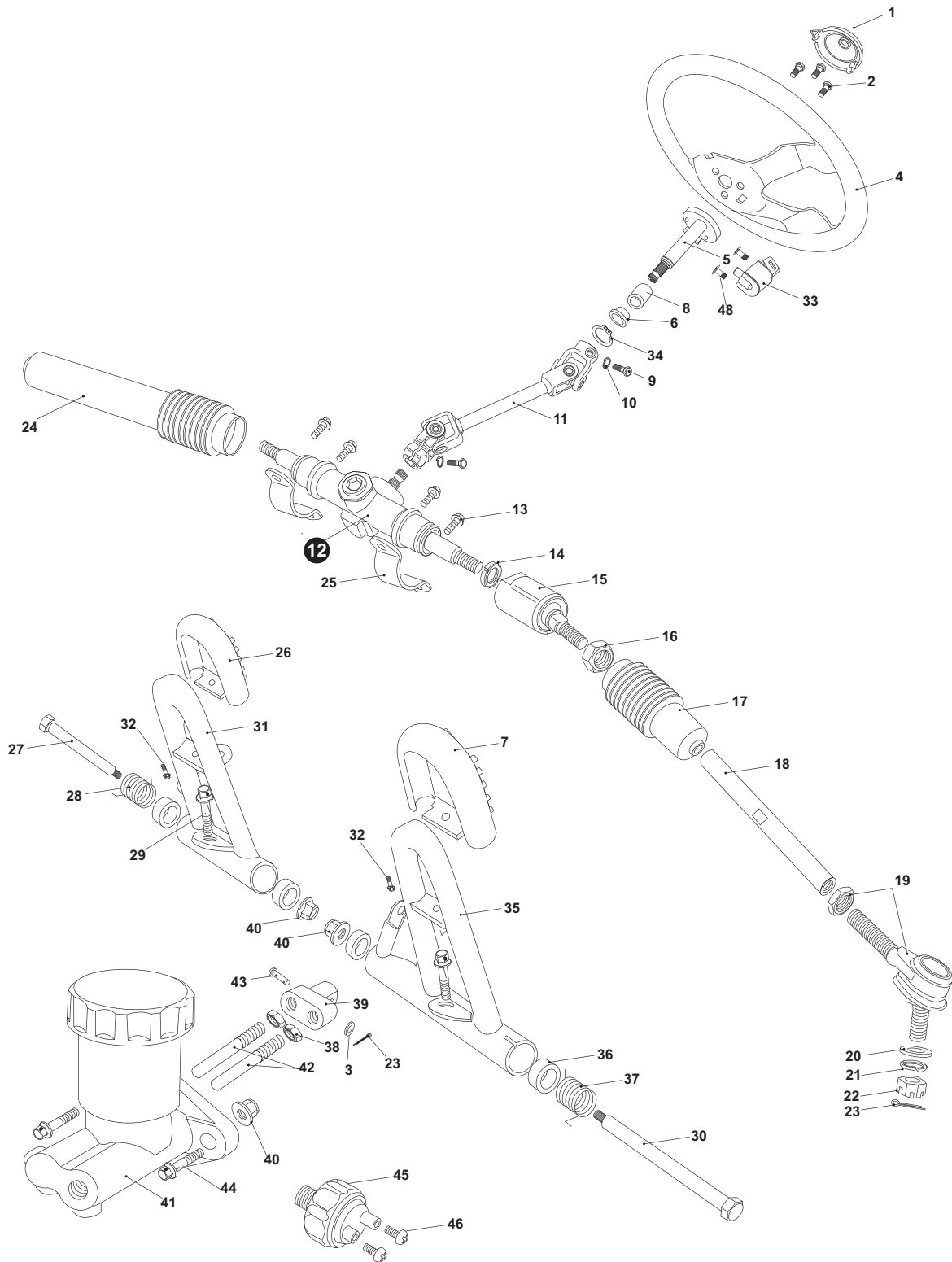


# MAXXAM PARTS MANUAL

Fig.16 FRAME GROUP			
REF.	PART NO.	DESCRIPTION	QTY
1	612-0151	C.B.C. Cross Bar. FR (Blue)	1
1a	612-0251	C.B.C. Cross Bar. FR (Yellow)	1
1b	612-0351	C.B.C. Cross Bar. FR (Red)	1
2	612-0152	C.B.C. Bar. (Blue)	2
2a	612-0252	C.B.C. Bar. (Yellow)	2
2b	612-0352	C.B.C. Bar. (Red)	2
3	612-0153	C.B.C. Cross Bar. RR (Blue)	1
3a	612-0253	C.B.C. Cross Bar. RR (Yellow)	1
3b	612-0353	C.B.C. Cross Bar. RR (Red)	1
4	612-0154	C.B.C. Bar. L.R. Side (Blue)	2
4a	612-0254	C.B.C. Bar. L.R. Side (Yellow)	2
4b	612-0354	C.B.C. Bar. L.R. Side (Red)	2
5	650-0150	Frame Comp (Blue)	1
5a	650-0250	Frame Comp (Yellow)	1
5b	650-0350	Frame Comp (Red)	1
6	600-0001	R Washer (black)	22
7	600-0002	Socket Bolt M08x55 (color)	16
8	540-3007	Fr. Reflector L/R	1
9	540-3007	Fr. Reflector L/R	1
10	600-0003	Special Bolt M11X28 (color)	5
11	600-0004	Lock Washer M12 (color)	5
12	600-0005	Nut M11(color)	5
13	600-0902	Rubber Washer-0003	6
14	637-0003	Fr. Fender Bracket Clamp	2
15	540-1000	Rubber Foot Plate	4
16	609-0001	Headlight Unit	2
17	500-3030	Flange Bolt M08x45	2
18	637-0006	FR. Fender L/R	1
19	637-0006	FR. Fender L/R	1
20	500-1014	Bolt M10x24-Banjo	6
21	652-0015	Braided Brake Hose Assy L 34"	1
22	652-0016	Braided Brake Hose Assy R 43"	1
23	652-0017	Braided Brake Hose Assy RR. 75"	1
24	630-0001	Throttle Cable Comp	1
25	539-1000	Reverse Cable Comp	1
26	552-1000	Parking Brake Cable Comp	2
27	512-1009	Tube seat 25 for C.B.C. cage cap	6
28	534-1002	Tube Seat 32	2
29	609-0002	Headlight Bulb 35W/12V	2
30	500-1043	Flange Lock Nut M08	2
31	637-0002	Fr. L Fender Bracket	2
32	500-1068	Bolt M08x25	8
33	500-1031	Lock Nut M06	12
34	509-1018	Headlight Rubber Mount	2
35	600-0107	Cross Bolt M6x20	12
36	500-3000	Pan Screw M05x25	1
37	540-3000	Rear View Mirror bushing	1
38	540-3001	Rear Mirror Assy	1
39	500-1064	Flange Lock Nut M06	2
40	540-3002	Foam Padding-1	2
41	540-1009	Foam Padding-2	2
42	637-0004	Fr. R Fender Bracket	1
43	640-0001	Plastic Insert	3
44	600-0006	Washer Crush	12



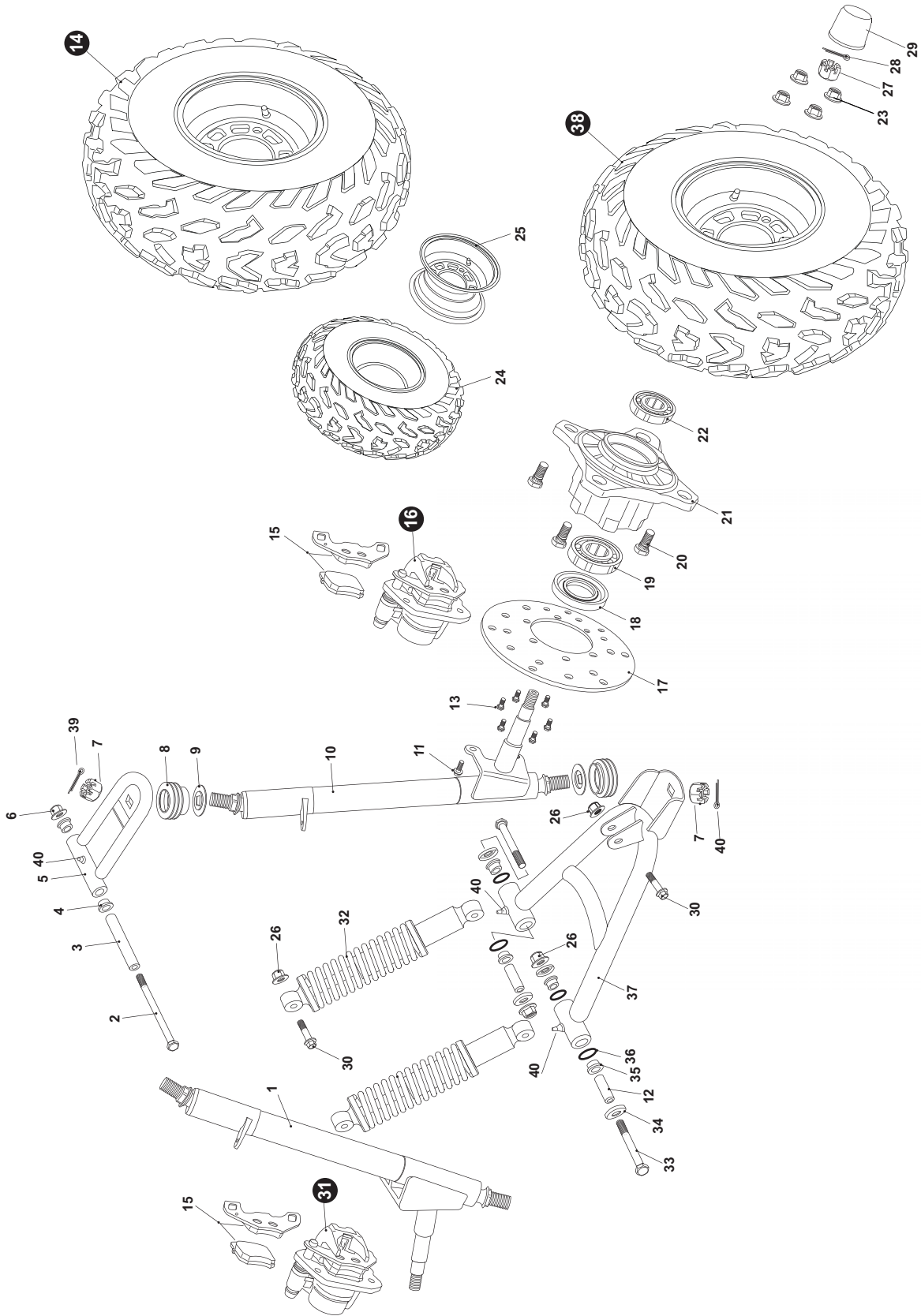
FIG.17 STEERING SHAFT ASSEMBLY



# MAXXAM PARTS MANUAL

Fig.17 STEERING SHAFT ASSEMBLY			
REF.	PART NO.	DESCRIPTION	QTY
1	536-3025	Steering Cap	1
2	500-1102	Bolt M06x20	3
3	500-3018	Washer M06	1
4	536-3027	Steering Wheel	1
5	636-0001	Rack and Pinion Assy	1
6	536-3003	Steering Shaft Bushing	1
7	552-3037	Brake Pedal Pad	1
8	622-0001	Needle Bearing-2617	1
9	600-0060	Bolt M08x35	2
10	500-1069	Lock Washer M08	2
11	536-3004	Steering Shaft	1
12	536-3005	Steering Assy	1
13	500-3036	Flange Bolt M08x16	4
14	500-1018	Round Nut M16x1.5	2
15	536-3006	Steering Ball Joint	2
16	500-3003	Hex Nut M10	4
17	536-3007	L Dust Cover Ball Joint	2
18	536-3008	Tie Rod	2
19	536-3009	Tie Rod End	2
20	500-3025	Washer M10	2
21	500-1071	Lock Washer M10	2
22	500-3004	Castle Nut M10	2
23	500-1090	Cotter Pin 2x20	2
24	536-3010	R Dust Cover Ball Joint	1
25	636-0101	Steering Gear Bracket (Blue)	2
25a	636-0201	Steering Gear Bracket (Yellow)	2
25b	636-0301	Steering Gear Bracket (Red)	2
26	558-3036	Throttle Pedal Pad	1
27	600-0100	Throttle Pedal Bolt M08x145,	1
28	557-3001	Throttle Pedal Spring	1
29	500-3044	Flange Bolt M08x50	2
30	600-0036	Bolt M8×1.25×222-Brake Pedal	1
31	558-3000	Throttle Pedal Comp	1
32	500-1074	Pan Screw M05X16	2
33	536-3026	Steering Wheel Lock	1
34	500-1011	Circlip 20	1
35	552-3003	Brake Pedal Comp	1
36	552-3004	Pedal Bushing	4
37	557-3002	R Brake Pedal Return Spring	1
38	500-1031	Nut M08	4
39	540-3012	Brake Actuator Cap	1
40	500-1043	Flange Lock Nut M08	8
41	636-0002	Brake Master Cylinder	1
42	536-3023	Brake Pump Pin	2
43	600-0038	Pin 6×22	1
44	500-1079	Flange Bolt M08x30	2
45	652-0014	Brake Light Switch	1
46	500-1078	Pan Screw M03X6	2

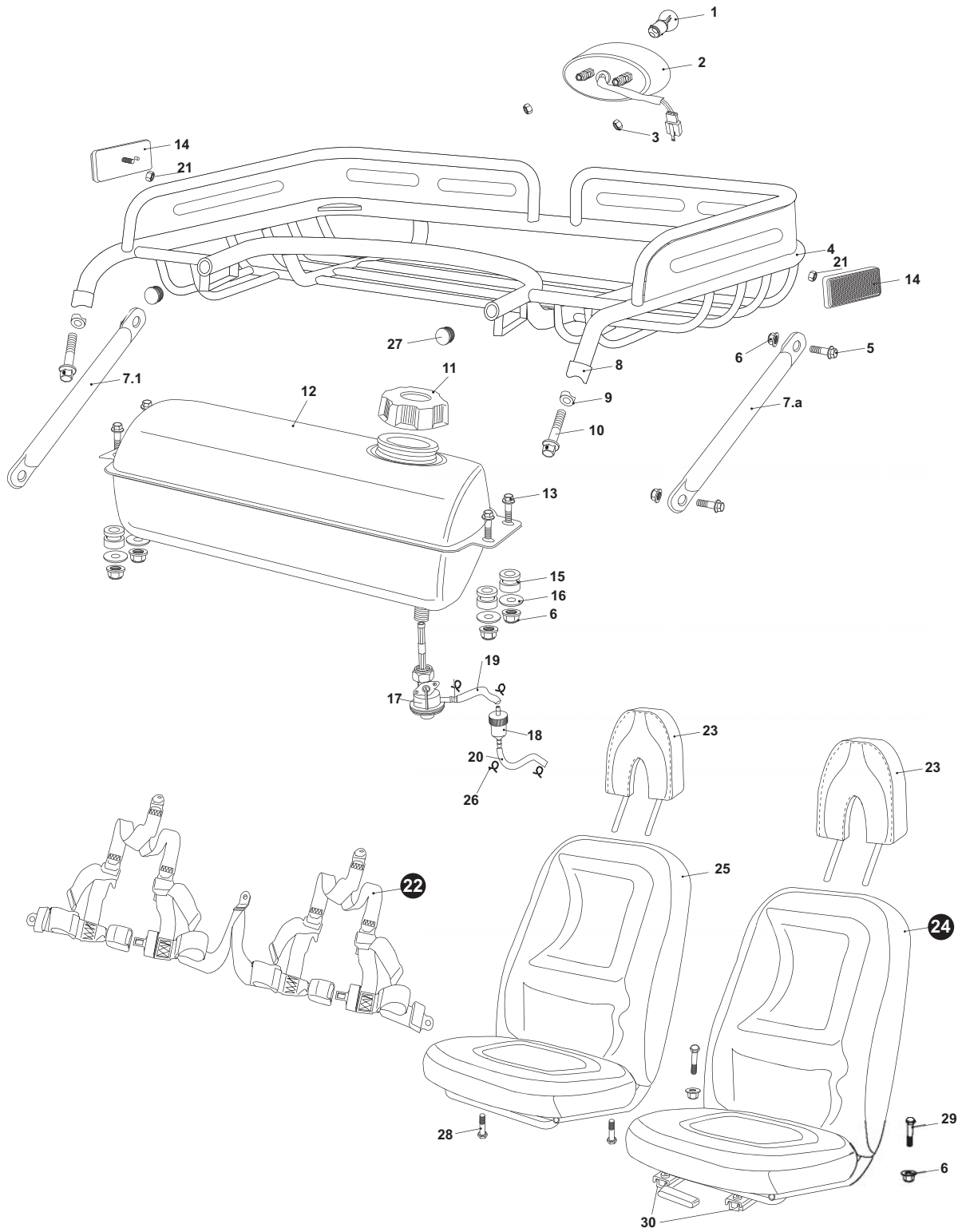
FIG.18 SUSPENSION ARM ASSEMBLY



# MAXXAM PARTS MANUAL

Fig.18 SUSPENSION ARM ASSEMBLY			
REF.	PART NO.	DESCRIPTION	QTY
1	536-1003	R Strut & Spindle	1
2	500-1081	Flange Bolt M08x105	2
3	536-3013	Upper Suspension Arm Collar	2
4	536-3014	Upper Suspension Arm Bush	4
5	536-3015	Upper Suspension Arm	2
6	500-1043	Flange Lock Nut M08	2
7	500-1088	Castle Nut M12	4
8	536-3016	Ball Head Dust Seal	4
9	528-3000	Ball Head Spacer	4
10	536-1004	L Strut & Spindle	1
11	500-1114	Bolt M08x16	4
12	500-1036	Lower Suspension Arm Collar	4
13	500-3005	Bolt Strap M6x12	12
14	618-0202	R Front Wheel Assy 20x7-8	1
15	552-3007	Front Brake Caliper Pad Set	2
16	552-3008	L Front Brake Caliper	2
17	552-3009	Front Disc Brake	2
18	552-3015	Dust Seal 47x25-7	2
19	522-3000	Bearing 6204	2
20	500-1019	Tire Bolt M10x31	8
21	520-3006	Front Wheel Hub	2
22	522-2503	Bearing 6202-Z	2
23	500-1087	Cap Lock Nut M10-tire	8
24	516-3000	Front Tire 20X7-8	2
25	619-0002	Fr. Steel Rim-K30	2
26	500-3014	Flange Lock Nut M10	16
27	500-1021	Castle Nut M14	2
28	500-1040	Cotter Pin 3x30	2
29	520-3004	Hub Cover -Fr/Rr	2
30	500-1091	Flange Bolt M10x40	4
31	552-3011	R Front Brake Caliper	1
32	535-3000	Front Shock	2
33	500-3028	Flange Bolt M10x80	4
34	500-5300	Lower Suspension Dust Cap	8
35	500-1020	Lower Suspension Bushing	8
36	513-3019	O-Ring 21.2x2x2.65	8
37	536-3019	Lower Suspension Arm Assy	2
38	618-0102	L Front Wheel Assy 20x7-8	1
39	636-0004	Cotter Pin 20x2	4
40	400-1107	Grease Fitting M6	6

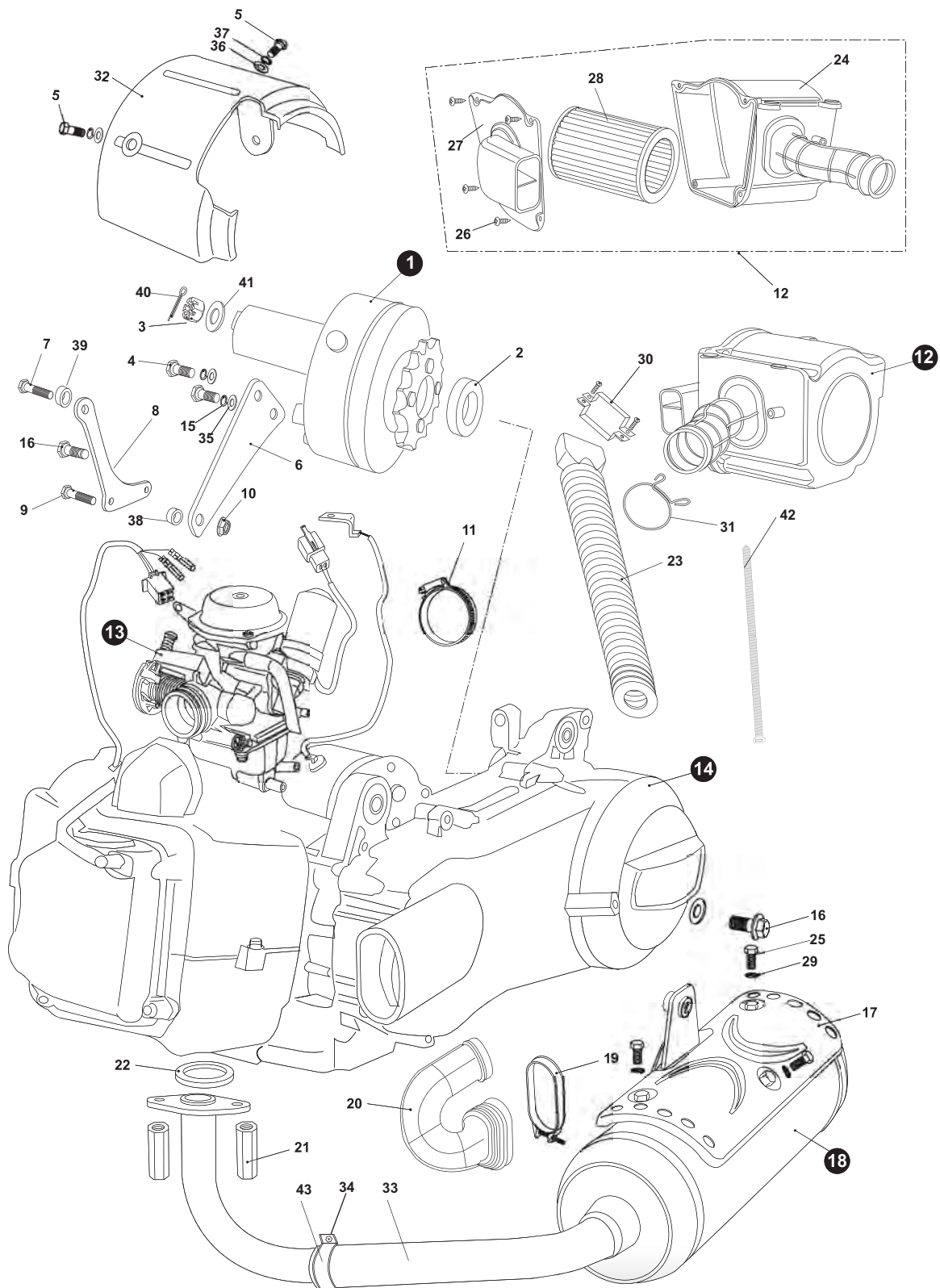
FIG.19 REAR CARGO RACK/SEAT/BELT



# MAXXAM PARTS MANUAL

Fig.19 REAR CARGO RACK/SEAT/BELT			
REF.	PART NO.	DESCRIPTION	QTY
1	509-3021	Tail Light Bulb 21w/5w -12v	1
2	609-0004	Tail Light - (K30-50) long wire 95	1
3	500-1031	Lock Nut M06	2
4a	634-0001	Rear Cargo Rack (Blue)	1
4b	634-0002	Rear Cargo Rack (Yellow)	1
4c	634-0003	Rear Cargo Rack (Red)	1
5	600-0009	Flange Bolt M08x16-color	4
6	600-2303	Flange Lock Nut M08-black	10
7a	699-0101	Rack Support Arm L. (Blue)	2
7b	699-0201	Rack Support Arm L. (Yellow)	2
7c	699-0302	Rack Support Arm L. (Red)	2
7.1	699-0102	Rack Support Arm R. (Blue)	2
7.2	699-0202	Rack Support Arm R. (Yellow)	2
7.3	699-0303	Rack Support Arm R. (Red)	2
8	512-1009	Tube Seat 25 for C.B.C. cage cap	2
9	600-0001	R Washer (black)	2
10	600-0015	Flange Bolt M08x55 (Chrome Black)	2
11	540-3011	Fuel Cap	1
12a	537-3003	Fuel Tank Comp (Blue)	1
12b	637-0206	Fuel Tank Comp (Yellow)	1
12c	637-0307	Fuel Tank Comp (Red)	1
13	500-1070	Flange Bolt M08x25	4
14	640-0004	Rr. Side Reflector-orange	2
15	600-9002	Fuel Tank Rubber Mount	4
16	500-1107	Washer M08	4
17	640-0002	Fuel Cock Assy	1
18	540-3004	Gas Filter	1
19	537-3016	Tube Comp Fuel # 1	1
20	537-1016	Tube Comp Fuel # 2	1
21	500-1031	Lock Nut M06	2
22	637-0014	Saftey Belt (2pcs/set - E-Mark)	1
23	535-3002	Head Rest	4
24	635-0001	Seat Comp L	1
25	635-0002	Seat Comp R	1
26	500-1099	Tube Clip (B7-99)	1
27	500-1174	Rear Rack Plug	1
28	600-0067	Strap Bolt M08x50	2
29	500-1181	Bolt M08x40	2
30	634-0004	Seat Adjuster	1

FIG.20 ENGINE/MUFFLER/AIR CLEANER

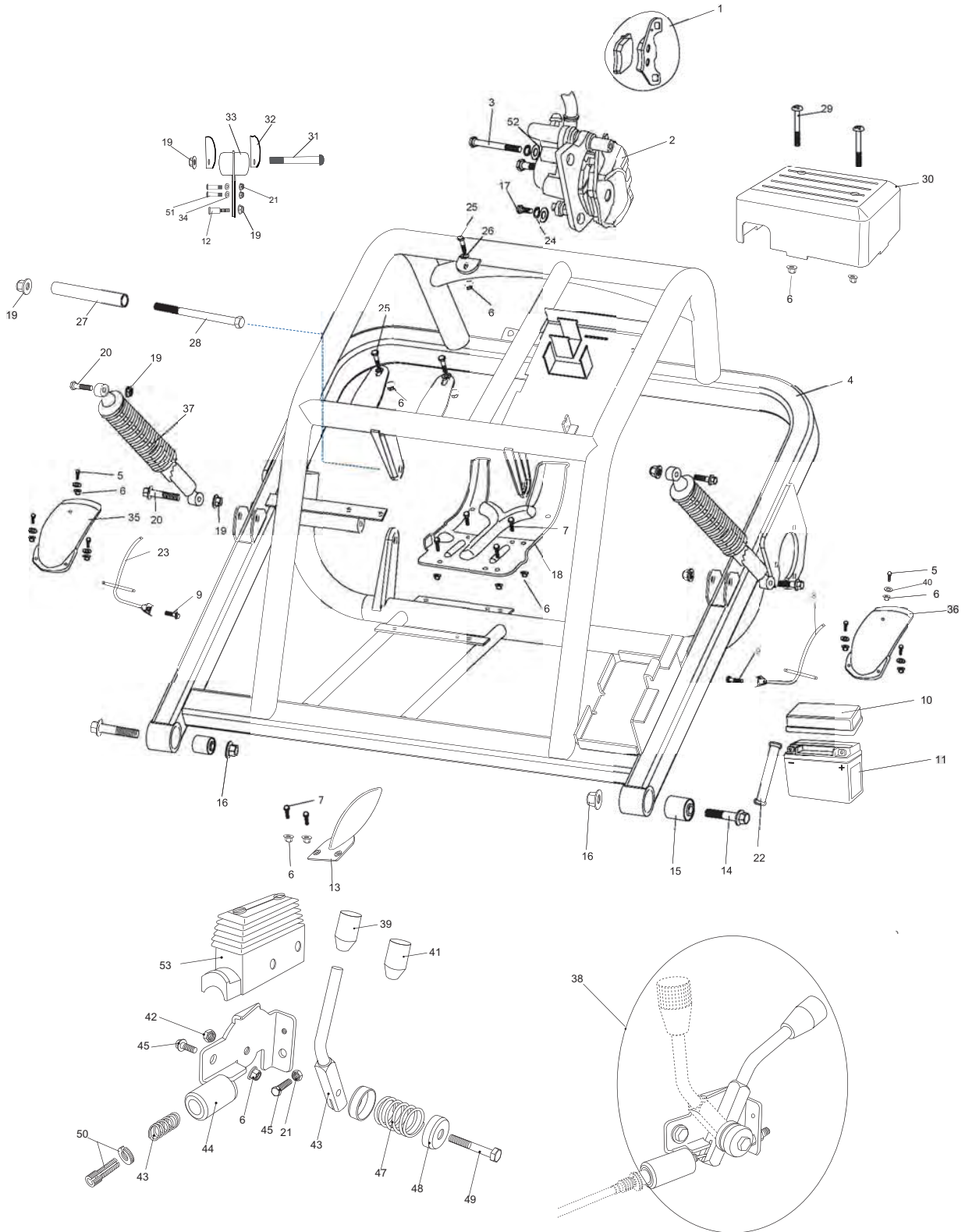


# MAXXAM PARTS MANUAL

Fig.20 ENGINE/MUFFLER/AIR CLEANER			
REF.	PART NO.	DESCRIPTION	QTY
1	639-0013	Reverse Assy	1
2	539-3002	Internal Collar Reverse	1
3	500-1037	Castle Nut M16	1
4	500-1317	Bolt M10x20	2
5	500-1114	Bolt M08x16	2
6	639-0001	Reverse Bracket	1
7	500-1026	Flange Bolt M08x40	2
8	639-0002	Reverse Connector Panel	1
9	600-0066	Slotted Bolt M08x20	2
10	500-3014	Flange Lock Nut M10	1
11	513-3001	Air Cleaner Clamp	1
12	613-0001	Air Cleaner Assy	1
13	513-3003	Carburetor	1
14	613-3000	150cc Engine -k30	1
15	600-0044	Lock Washer M10	2
16	500-1091	Flange Bolt M10x40	2
17	513-1107	Muffler Protector	1
18	513-3006	EX Muffler Comp	1
19	513-3007	Boot Clamp	1
20	513-3008	Side Case Boot	1
21	500-3023	Nut M06-Muffler Joint	3
22	513-3009	EX Pipe Gasket	4
23	513-1082	Air Cleaner Duct	1
24	613-0002	Air Cleaner Case Comp	1
25	600-0022	Pan Screw M6x10	1
26	600-0011	Screw ST 5x20	4
27	613-0003	Air Cleaner Cover	1
28	613-0033	Air Cleaner Element	1
29	500-1086	Lock Washer M06	3
30	513-3025	Air Duct Clamp	3
31	513-3024	Air Duct Clip	1
32	537-3005	Chain Protector RR	1
33	613-0022	Muffler Tube	1
34	613-0032	Muffler Tube Clamp	1
35	500-3025	Washer M10	3
36	500-1052	Washer M08	2
37	500-1069	Lock Washer M08	2
38	613-0023	Reverse Front Lock Collar	1
39	613-0024	Reverse Rear Lock Collar	1
40	500-1040	Cotter Pin 3x30	1
41	613-0026	Gasket 17x23	1
42	613-0009	Air Cleaner Tie Rip 5x300	1
43	613-0034	Gasket, Muffler tube	1



FIG.21 REAR SWING ARM

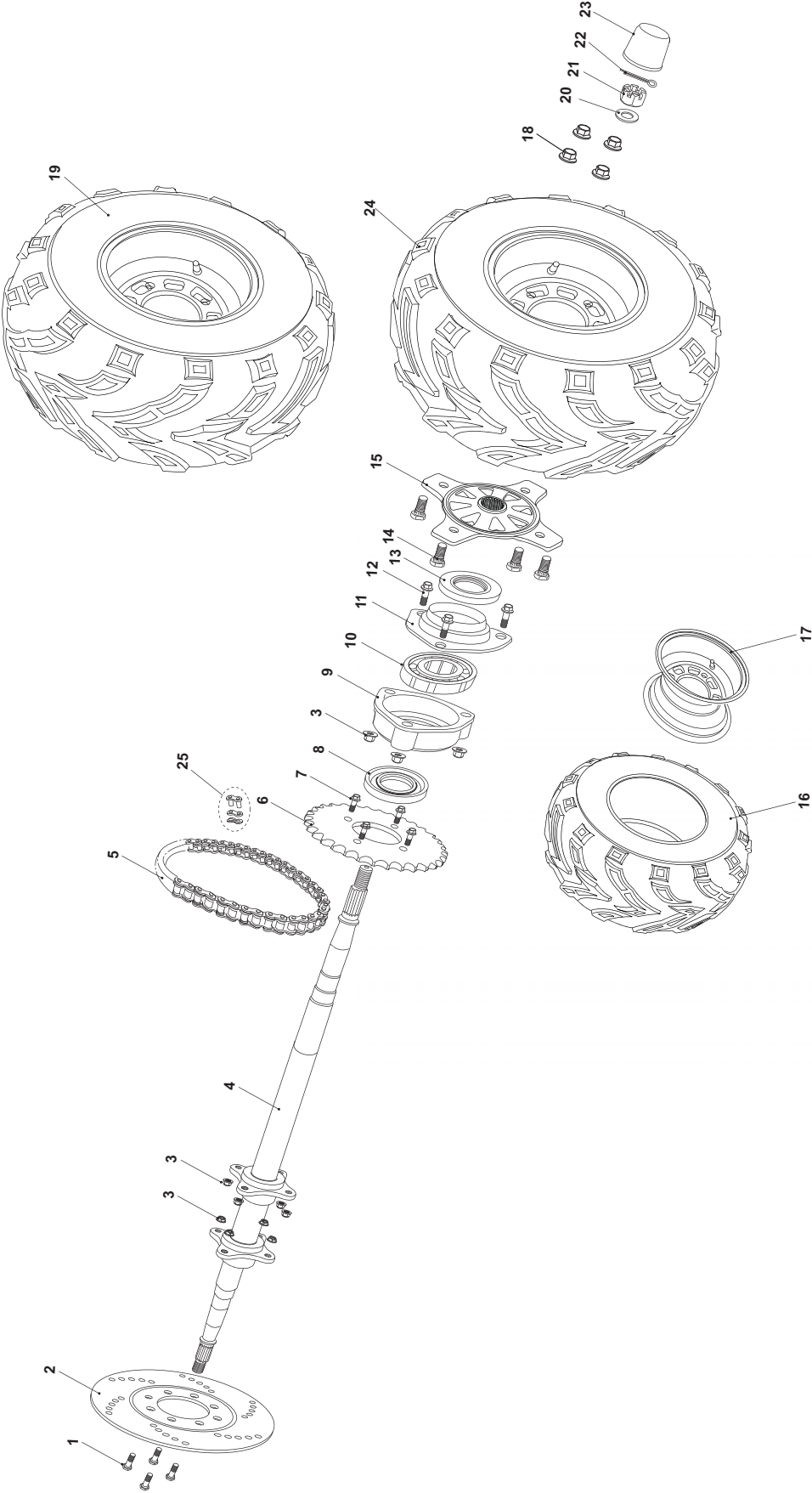


# MAXXAM PARTS MANUAL

## Fig.21 REAR SWING ARM

REF.	PART NO.	DESCRIPTION	QTY
1	552-3012	RR Brake Pad Set	1
2	652-0008	RR Caliper Assy	1
3	600-0012	Strap Bolt M08x160	1
4	650-0001	Rear Swing Arm Comp	1
5	500-1313	Flange Bolt M06x20	6
6	500-1031	Lock Nut M06	17
7	500-5302	Flange Bolt M06x16	6
8	637-0012	Rr. L Fender Bracket	1
9	500-1026	Flange Bolt M08x40	2
10	509-3025	Battery Cover	1
11	509-1019	Battery (YTX9-BS)	1
12	600-0053	Bolt-chain Adjuster	1
13	699-0006	Rear Disc Cover	1
14	500-1008	Flange Bolt M12x60	2
15	500-1035	Swing Arm Cushion Bushing	2
16	500-3006	Flange Lock Nut M12	1
17	500-1025	Flange Bolt M08x12	1
18	537-3007	Rear Disc Guard	1
19	500-3014	Flange Lock Nut M10	6
20	500-1091	Flange Bolt M10x40	4
21	500-1043	Flange Lock Nut M08	2
22	509-3009	Battery Strap 9"1/2	1
23	637-0013	Rr. R Fender Bracket	1
24	500-1052	Washer M08	1
25	600-0025	Hex Bolt M6x20	3
26	600-0051	Washer 6 =500-3018	3
27	500-3021	Engine Mount Collar	1
28	500-3020	Engine Mount Bolt M10x1.25x195	1
29	699-0002	Pan Screw Bolt M6x60	2
30	509-3008	Electric Cover	1
31	600-0016	Bolt M10x100	1
32	631-0001	Chain Adjusting Rracket	2
33	631-0002	Chain Adjuster Assy	1
34	631-0005	Chain Adjuster Collar	2
35	637-0005	Rear Fender L/R	1
36	637-0005	Rear Fender L/R	1
37	535-3005	Rear Shock Absorber	2
38.1	600-0050	Rubber Washer 6x20	1
38.2	539-3000	Parking Brake/Reverse Lever Assy-silver	1
39	652-0010	Parking Brake/Reverse Lever Assy-black	2
40	540-1001	Cover level (Green)	6
41	540-1002	Cover level (Black)	2
42	500-1043	Flange Lock Nut M08	6
43	539-1002	Parking Brake/Reverse Lever	2
44	639-0014	Lever Bracket=600-0018	2
45	500-1108	Flange Bolt M08x20	1
46	539-1002	Parking Brake Lever	1
47	557-1005	Lever Spring	2
48	528-3003	Lever Spacer	4
49	500-1026	Flange Bolt M08x40	2
50	530-0001	Adjuster Bolt-4110	1
51	600-0049	Flange Bolt M08x30	2
52	500-1052	Washer M08	2
53	640-0003	Cover, Parking/Reverse Lever Assy.	1

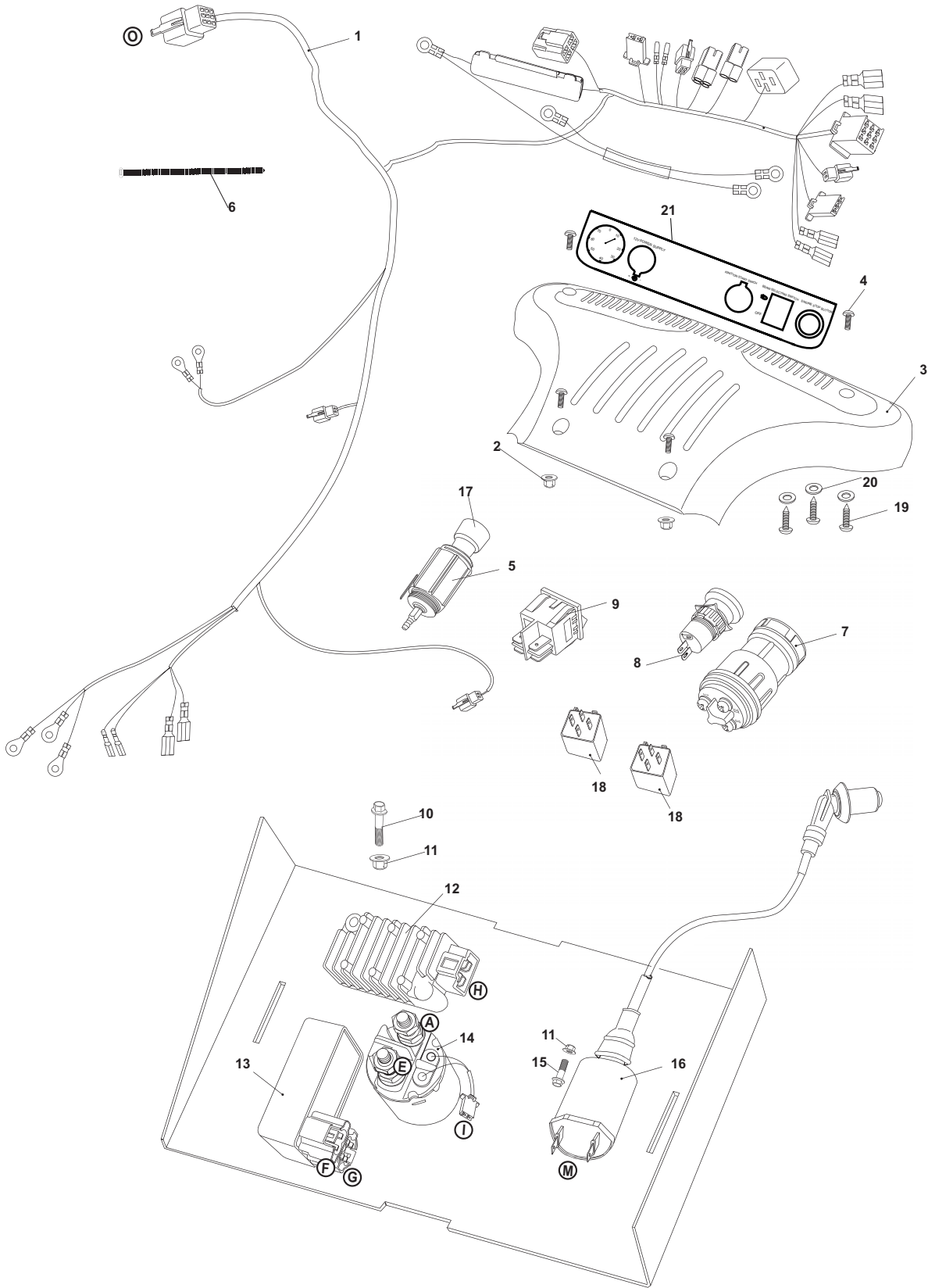
FIG.22 REAR HOUSING



# MAXXAM PARTS MANUAL

Fig.22 REAR HOUSING			
REF.	PART NO.	DESCRIPTION	QTY
1	500-1070	Flange Bolt M08x25	4
2	552-3014	RR Brake Disc	1
3	500-1043	Flange Lock Nut M08	18
4	627-0001	Rear Axle	1
5	631-0004	Drive Chain	1
6	623-0001	Rear Housing Sprocket	1
7	600-0049	Flange Bolt M08x30	4
8	539-3008	Dust Seal 50x34-7	2
9	527-1002	Housing Comp RR Axle BRG	2
10	522-3002	Bearing 6206	2
11	522-3009	Bearing Base	2
12	500-1026	Flange Bolt M08x40	6
13	539-3010	Dust Seal 42x30-7	2
14	500-1019	Tire Bolt M10x31	8
15	620-0001	Rr. Steel Hub	2
16	516-3001	RR Tire 22x10-10	2
17	619-0001	Rr. Steel Rim	2
18	500-3014	Flange Lock Nut M10-tire	8
19	618-0201	R Rear Wheel Assy	1
20	528-3002	RR Wheel Spacer 16	2
21	500-1037	Castle Nut M16	2
22	500-1040	Cotter Pin 3x30	2
23	520-3004	Hub Cover -Fr/Rr	2
24	618-0101	L Rear Wheel Assy	1
25	531-1002	Master Link Chain	1

FIG.23 WIRE HARNESS/ELECTRICAL

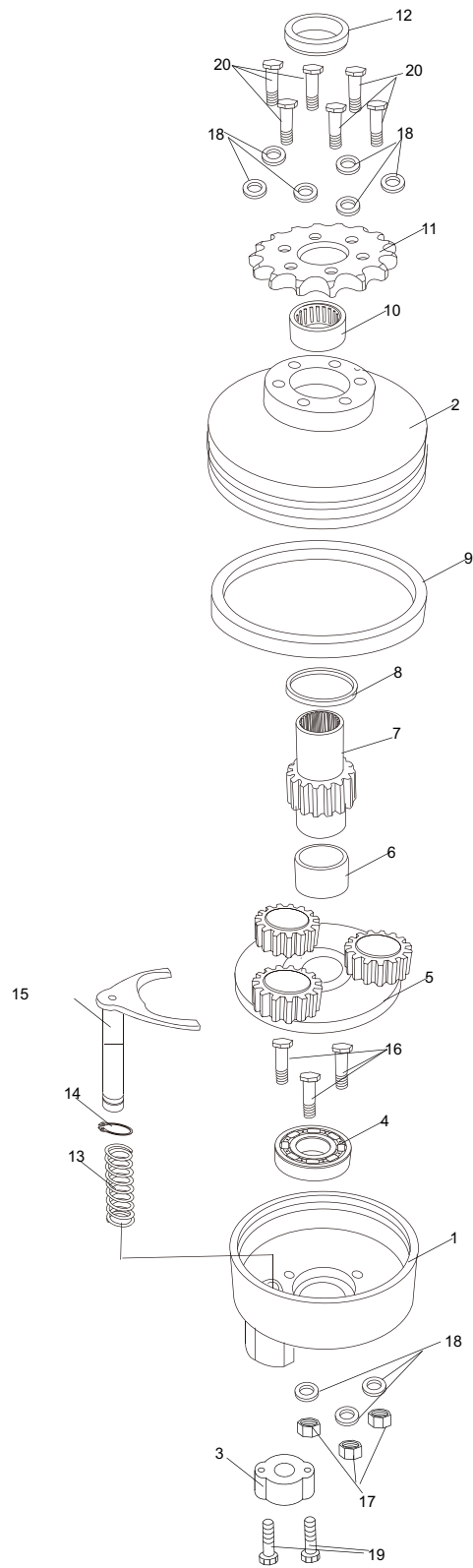


# MAXXAM PARTS MANUAL

**Fig.23 WIRE HARNESS/ELECTRICAL**

REF.	PART NO.	DESCRIPTION	QTY
1	609-0003	Wire Harness	1
2	500-1076	Lock Nut M05	2
3	509-3035	Switch Panel Cover	1
4	500-1066	Pan Screw M05X12	4
5	509-3036	Power Outlet	1
6	609-0015	Wire Harness tie wrap	10
7	609-0005	Key Switch	1
8	609-0006	Engine Stop Button	1
9	609-0016	Light Switch	1
10	500-5302	Flange Bolt M06x16	1
11	500-1031	Lock Nut M06	3
12	609-2830	Regulate Rectifier Comp	1
13	509-1007	C.D.I. Unit Comp	1
14	509-1008	Starting Relay	1
15	500-1114	Bolt M08x16	1
16	609-0010	Ignition Coil Comp	1
17	509-3028	Outlet Plug	1
18	509-3022	Control Relay	1
19	600-0055	Screw ST4.2x13	3
20	600-0056	Special Washer M05	3
21	609-0014	Decal Switch Panel Cover	1

FIG.24 REVERSE ASSY.



# MAXXAM PARTS MANUAL

**Fig.24 REVERSE ASSEMBLY**

REF.	PART NO.	DESCRIPTION	QTY
1	639-0003	Gear Case. R	1
2	639-0004	Gear Case. L	1
3	639-0005	Gear Shifting Yoke Cover	1
4	622-0002	Bearing	1
5	639-0006	Gear Shaft Counter Comp	1
6	639-0007	Drive Gear Bushing	1
7	639-0008	Drive Gear	1
8	639-0009	Drive Gear Collar	1
9	639-0010	Rubber Oil Seal	1
10	622-0003	Needle Bearing	1
11	623-0002	Drive Sprocket	1
12	639-0011	Internal Collar	1
13	657-0006	Gear Shifting Yoke Spring	1
14	500-1034	Circlip 12	1
15	639-0012	Gear Shifting Yoke	1
16	600-0801	Pan Screw M6x20	2
17	500-1073	Hex Nut M08	3
18	500-1069	Lock Washer M08	9
19	500-1181	Bolt M8X40	3
20	500-1068	Bolt M8X25	6
21	639-0013	Reverse Assy.	1



FIG.25 TOOL KIT

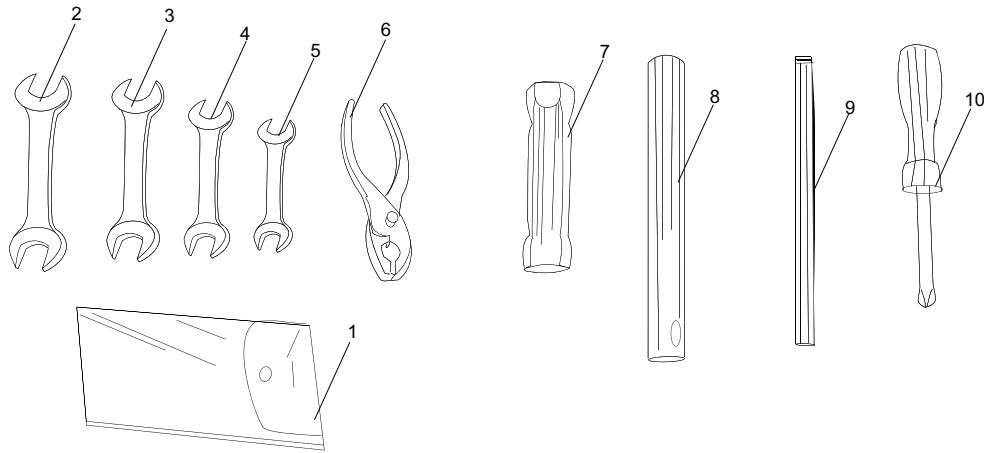


Fig.25 TOOL KIT			
REF.	PART NO.	DESCRIPTION	QTY
1	608-0001	Tool Bag	1
2	608-0002	Open-Ended Wrench 17x19	1
3	608-0003	Open-Ended Wrench 13x15	1
4	608-0004	Open-Ended Wrench 12x14	1
5	608-0005	Open-Ended Wrench 8x10	1
6	608-0006	Slip-Joint Pliers	1
7	608-0007	Spark Plug Wrench	1
8	608-0008	Tube Wrench	1
9	608-0009	ROD	1
10	608-0010	Screw Drive Handle Stem	1

FIG.26 STICKER

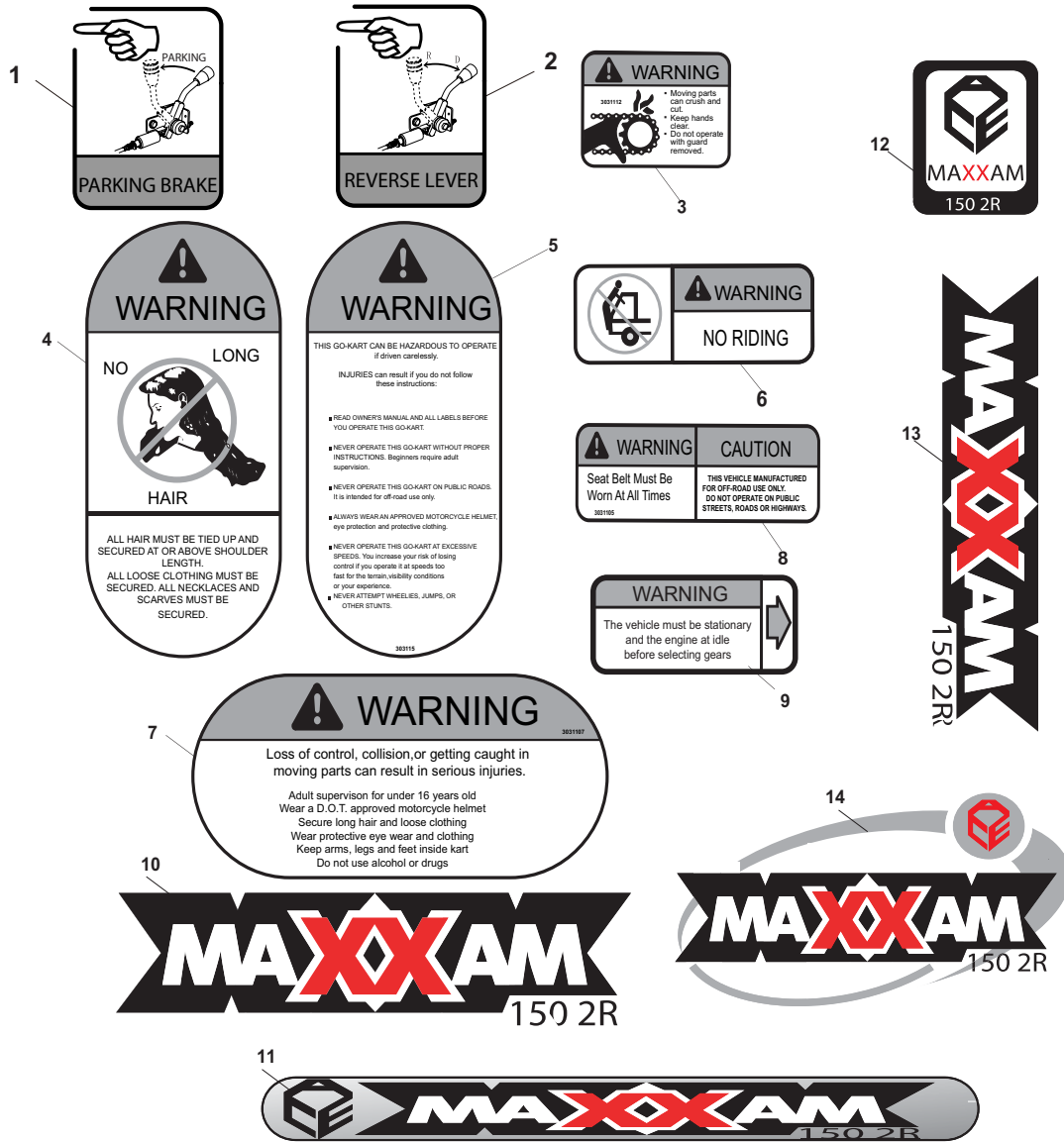


Fig.26 WARNING STICKERS			
REF.	PART NO.	DESCRIPTION	QTY
1	503-3000	Label, Parking Brake	1
2	503-3001	Label, Reverse Lever	1
3	503-3014	Label, Chain Guard	1
4	503-3002	Label, No Long Hair	1
5	503-3003	Label, Warning HAZ	1
6	503-3005	Label, No Riding	1
7	503-3004	Label, Warning LOSS	1
8	503-3006	Label, Seat Belt	1
9	503-3012	Label, Warning VEH	1
10	603-0000	Bottom Front	1
11	603-0001	Rear Cargo Rack	4
12	603-0002	Center Front	1
13	603-0003	Engine Side Cover	1
14	603-0004	Fuel Tank And Side Panel	3



A.C.E. SPORTS LLC  
239 County Road 4435  
Brundidge, AL 36010  
Phone: 1-888-562-9 ACE  
Fax: 1-888-562-8 ACE  
[www.acesportsonline.com](http://www.acesportsonline.com)

**INITIAL ASSEMBLY SETUP INSTRUCTIONS**

TOOLS NEEDED			
Floor jack	8mm wrench	14mm socket/extension	24mm socket/extension
Needle nose pliers	10mm wrench/socket	17mm wrench/socket	
Protective gloves	12mm wrench/socket	19mm wrench/socket	

**1. LIFT THE KART**

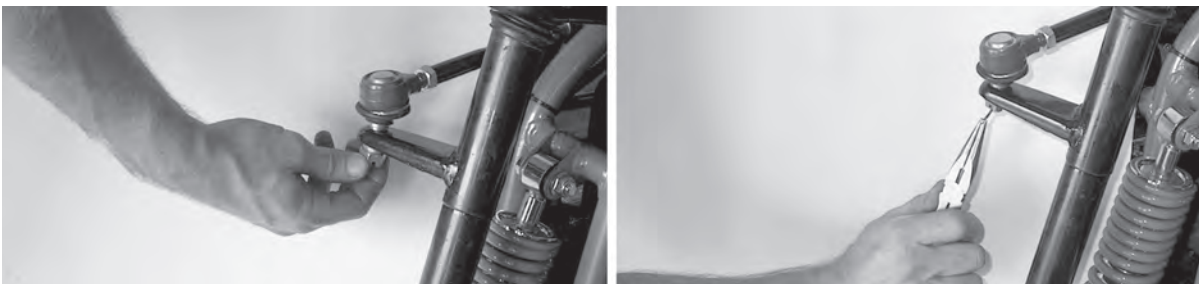
In order to assemble the front suspension and steering, the front of the kart must be lifted high enough to install the front tires. We recommend that two people lift the front of the kart while a third person places a rear tire underneath.

**2. ASSEMBLE FRONT SUSPENSION**

- A. Insert bottom stud of strut into square cutout of lower suspension arm. Square of strut and suspension arm **MUST** be aligned.
- B. Tighten castle nut securely with 19mm wrench/socket and lock with cotter pin and needle nose pliers.
- C. Perform this same procedure on both left and right sides.

**3. ASSEMBLE STEERING LINKAGE**

- A. Attach tie rod end to strut by inserting ball joint stud into steering arm of strut.
- B. Place flat washer, then lock washer on stud. Secure with castle nut using 17mm wrench/socket. Lock with cotter pin and needle nose pliers.
- C. Perform this same procedure on both left and right sides.



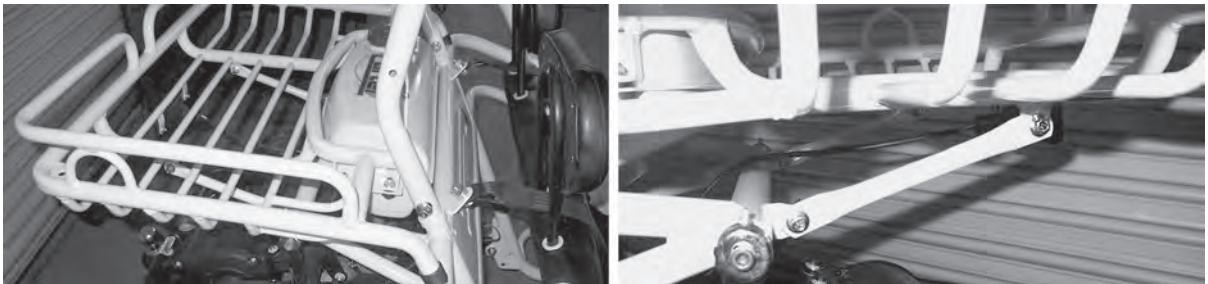
#### 4. FRONT TIRES

- A. Remove lug nuts from front hub.
- B. Place tire in position by aligning the holes in the wheel with the lugs.
- C. Tighten lug nuts with 14mm socket with extension.
- D. Perform this same procedure on both left and right sides.



#### 5. CARGO RACK

- A. Position the rack so that the inserted ends align with the holes in the frame behind the seat. Tighten with 10mm wrench/socket.
- B. Once in position tighten the rack supports with a 10mm wrench/socket and 12mm wrench/socket.



#### 6. REAR SHOCKS

- A. Place floor jack under square tubing located under seat. Lift kart until rear shock mounts align with eyeholes in shock. Insert bolt.
- B. Tighten lock nut using 14mm and 12mm wrenches/sockets.
- C. Perform this same procedure on both left and right sides.



## 7. REAR TIRE

- A. Slide rear wheel/hub assembly onto axle. Splines must be aligned in order for the assembly to properly fit.
- B. Place small washer, then large washer on axle. Tighten castle nut with 24mm socket with extension.
- C. Lock with cotter pin and needle nose pliers
- D. Perform this same procedure on both left and right sides



## 8. BRUSH BARS

- A. Place main bars in proper location by putting the open ends over the bar mounts located on the frame.
- B. On each end insert bolt with washer on each side and finger tighten with lock nut.
- C. Place each shoulder bar over the shoulder bar mounts on the frame. Line the holes of the bars up with those of the mounts. Insert bolt with washer on each side and finger tighten with lock nut.
- D. Align the top of the shoulder bars up with the holes in the main bar. Insert a bolt and washer and finger tighten.
- E. Place top cross bar between the main bars with hoop pointing towards the front of the kart. Align holes of the top cross bar with holes in the main bars. Insert a bolt and washer for each hole and finger tighten. Before placing the two cross bars in between, you must use an 8mm wrench to tap and chase the threads and clean the paint/debris out of the bolt holes.
- F. Place bottom cross bar between main bars toward the rear of the kart. Align holes of bottom cross bar with holes in main bars. Insert bolt and washer and finger tighten.
- G. With all members of the brush bar in place, secure tightly with 10mm wrench/socket and 12mm wrench/socket.





## 9. WHEEL CAP

Place one rubber wheel cap on each wheel.



## 10. STEERING WHEEL

Place the steering wheel on mount, align the holes and tighten with 10mm wrench/socket. Snap steering wheel cap into place.



## 11. FENDERS

- A. Install front fenders by inserting the turned down stud of the fender mount into the fender sleeve on the frame.
- B. Insert provided bolt into the mounting hole and tighten the fender to the frame with 8mm and 10mm wrench.
- C. Install the rear fenders to the swing arm by placing the square cut-out ends over the rectangle tubing.
- D. Align the holes of the fender mounts with those of the swing arm, and tighten with 10mm wrench/socket.



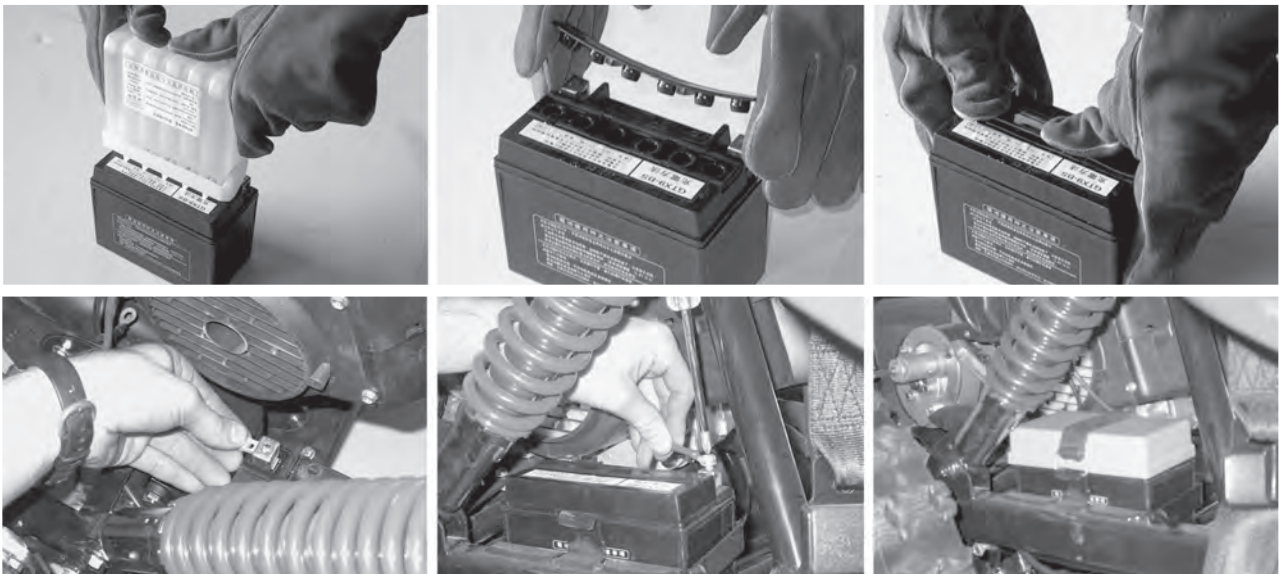
## 12. HEADRESTS

Put headrests in designated holes as shown in the picture below.



### 13. BATTERY

- A. Put on protective gloves.
- B. Remove strip covering acid ports from battery
- C. Place funnel into acid ports on battery. With funnel aligned in battery press acid container firmly into funnel allowing the acid to flow into the battery.
- D. Allow all acid to drain from container.
- E. Place rubber cap into position over the ports, let it sit with cap off for 10 minutes.
- F. Press cap firmly closing all ports securely and let the battery charge for 30 minutes on a 2-3 amp charger with the lid off.
- G. Position battery into battery holder on swing arm.
- H. Place rectangular nuts provided with battery under each post.
- I. Tightly fasten red cable to + pole and black or green cable to - pole.
- J. Place battery cover on top of battery and secure with rubber strap.



### 14. TAIL LIGHT

- A. Remove the nut and lock washer from each bolt in tail light.
- B. Mount tail light to kart by inserting the bolts in the tail light through the holes in the bottom crossbar. Tighten with 8mm wrench. Be sure not to over tighten.







## STARTING PROCEDURE for the MAXXAM 150 & EXPLORER 250

When starting the Maxxam 150/Explorer 250 you must first make sure that the **Fuel Petcock** is in the **ON** position. Then press the brake pedal and hold in order to start the engine over.

**Reminder:** Always cut you fuel off when not in use (if the unit is going to sit without use, please put a fuel stabilizer in the fuel tank)