

OWNER'S/OPERATOR'S MANUAL

order from
GOKARTSUSA.COM
(707) 745-5278

MINI BIKE

Always wear a helmet it could save your life!

**Never allow any child under the age of 13 to operate this Mini Bike.
Persons age 13 to 16 should operate this mini bike only under continual
adult supervision.**



**Provincial / Municipal governments have different regulations
pertaining to owning and operating an off-road vehicle, learn the
regulations in your area.**

READ THIS MANUAL CAREFULLY!



GOKARTS
USA **.COM**

Safety - Notice to parents

Children differ in skills, physical abilities, and judgement. Some children may not be able to operate this mini bike safely. Parents should supervise their child's use of the mini bike at all times. Parents should permit continued use only if they determine that the child has the ability to operate the mini bike safely.

THIS MINI BIKE IS NOT A TOY AND COULD BE HAZARDOUS TO OPERATE.

Reading the Owner's/ Operator's Manual

It is important this manual is read from cover to cover carefully by the owner and all operators. Parents should review the manual carefully with their children. Never allow anyone to operate the mini bike without first reading and understanding the Owner's/Operator's manual.

This Owner's/ Operator's manual should be a permanent part of the mini bike and should remain with the vehicle at all times. The manual should also remain with the vehicle if sold.

ORDER PARTS

<https://gokartsusa.com/TrailMaster-Mini-Bike-Parts.aspx>

To emphasize special important information in the manual, please note the following :



This is the alert symbol. The symbol means **ATTENTION!**, **BECOME ALERT!**, **YOUR SAFETY IS INVOLVED.**

To emphasize important safety information, the word **WARNING**, with the alert symbol, has special meaning.:



Indicates a potential hazard that could result in **SEVERE INJURY** or **DEATH** to the operator, bystander or person inspecting or repairing the unit.

To emphasize important information, the word **CAUTION** has special meaning.:

CAUTION:

Indicates special precautions that must be taken to avoid damage to the unit.

To emphasize important information, the word **NOTE** has special meaning.:

NOTE:

Indicates key information to make procedures easier or clearer to understand.

WARNING or **CAUTION**

The first part will identify a **POTENTIAL HAZARD**.

The second part will describe **WHAT COULD HAPPEN** if the warning or caution is ignored.

The third part will describe **HOW TO AVOID THE HAZARD**.



GOKARTS
USA **.COM**

ORDER PARTS

<https://gokartsusa.com/TrailMaster-Mini-Bike-Parts.aspx>

⚠ WARNING

The engine exhaust from this mini bike contains chemicals known to the state of California to cause cancer, birth defects or other reproductive harm.

California proposition 65

NOTICE:

The maximum engine speed (RPM's) of your mini bike has been limited at the factory with a tamper resistant method. Do not attempt to increase the RPM's of this engine to more than the factory settings. Any attempt to increase the RPM's of this engine could void your warranty.

Do not tamper with screw

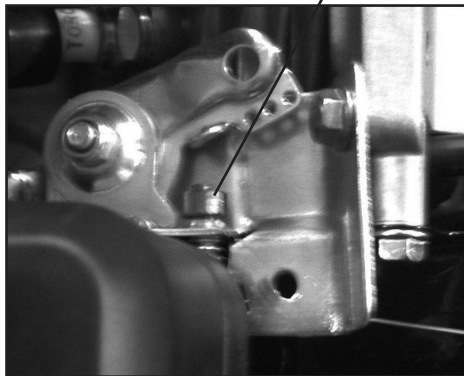


TABLE OF CONTENTS

WARRANTY	2		
IMPORTANT SAFETY LABELS	4	CHAIN AND SPROCKET	23
LOCATION	4	INSPECTION	23
LABELS	5	TENSION AND ADJUSTMENT	23
SAFETY	6	CLEANING AND LUBRICATION ...23	
DESCRIPTION AND PART LOCATIONS ... 7		CLEANING AND INSPECTING	
DESCRIPTION AND PART FUNCTIONS .. 8		CENTRIFUGAL CLUTCH	24
RIGHT HAND THROTTLE GRIP8		TIRES	25
ENGINE STOP SWITCH	8	REPLACING	25
LEFT HAND BRAKE LEVER	8	HEADLIGHT	26
CHOKE OPERATION	9	HEADLIGHT BULB	26
FUEL VALVE OPERATION	9	STORAGE	27
FUEL CAP	9	RETURNING TO SERVICE	27
STARTER RECOIL CORD	9	WASHING THE MINI BIKE	28
OIL FILL PLUG	9	TRANSPORTING	28
FUEL AND OIL	10	TROUBLE SHOOTING	29
FUEL	10	TORQUE SPECIFICATIONS	30
ENGINE OIL	10	SPECIFICATIONS	31
PRE RIDE INSPECTION	11	FRAME AND ENGINE NUMBER	
RIDING MINI BIKE	12	LOCATION	32
HELMET, EYE PROTECTION AND		EMISSION CONTROL SYSTEM	
PROTECTIVE CLOTHING	12	WARRANTY	33
STARTING THE ENGINE	13		
CHOKE OPERATION	13		
STARTING OFF	14		
LOAD GUIDELINES	15		
MAINTENANCE	16		
MAINTENANCE CHART	17		
AIR FILTER	18		
SPARK PLUG	19		
ENGINE OIL	20		
CHECKING	20		
CHANGING	20		
IDLE SPEED ADJUSTMENT	21		
THROTTLE CABLE ADJUSTMENT	21		
FUEL HOSE INSPECTION	21		
BRAKES	22		
BRAKE LEVER ADJUSTMENT ..	22		
BRAKE ADJUSTMENT	22		
VALVE CLEARANCE	22		

ORDER PARTS

<https://gokartsusa.com/TrailMaster-Mini-Bike-Parts.aspx>



The limited warranty period for this product is 90 days from the date of purchase shown on the original sales receipt.

What is a Defect?

The Product is warranted to be free from manufacturing defects in material and workmanship for a period of 90 days from the date of purchase shown on the sales receipt. During this period of time manufacturer will, at its option, either repair or replace any original manufacturer part which is covered by warranty and is proven to be defective in workmanship or material.

To qualify for this warranty the part:

MANUFACTURER LIMITED WARRANTY

1. Must have been purchased from authorized Dealer.
2. Must have been used in a manner consistent with the intended use for the vehicle. This warranty does not apply to any vehicle which is used in competition or used in a manner not consistent with the intended use for the vehicle which would also include rental or commercial use.

Who Can Perform Repairs Under this Warranty?

Repairs under this warranty should be performed by an authorized dealer or comparable servicing dealer.

How to get service under this warranty

2

Please contact your dealer to get warranty service.

What this Warranty Does Not Cover

This warranty does not cover the following

1. Damage due to lack or improper maintenance as describe in this manual.
2. Damage which is caused by normal use and not cause by a defect in materials or workmanship.
3. Use of the product which is not consistent with the intended use as described in the operating instructions.
4. Any expendable maintenance items which needs replacement or service as normal maintenance requires unless these normal maintenance items become defective prior to their normal life due to a material defect or a defect in workmanship.
5. Any product which has been altered or modified in a manner not consistent with the original design of the product or in a manner not approved
6. Tires
7. Damage or failures due to abuse, neglect, or misuse of the product.

Limitations of this Warranty

This warranty does not cover

1. Loss of time or loss of use of the product.
2. Transportation costs to and from the authorized center.
3. Other loss or damage to other equipment or personal items.

Length of Implied Warranties

Any implied warranties are limited to the duration set forth in this warranty. BV Powersports does not make any claim as to the merchantability or fitness for a particular purpose which would extend longer than the duration of this written warranty.

Check your State Laws as some State Laws do not allow limitations as to the duration of an implied warranty. Some States may also not allow limitation or exclusions based on incidental or consequential damages.

IMPORTANT LABELS

LOCATION



Warning Labels

1

WARNING

Check the following before operating.

1. Engine oil level.
2. Lubricate and adjust drive chain if necessary.
3. Clean and Lubricate clutch.
4. Insure all Guards are in place.

2

WARNING

THIS VEHICLE IS AN OFF-ROAD VEHICLE AND IS NOT INTENDED FOR USE ON PUBLIC ROADS/HIGHWAYS

3

WARNING

This Mini Bike can cause serious injury or death if the warnings and instructions in the owner's manual and on warning labels are not followed.

Never Operate this Mini Bike:

- if operator is under the age of 13
- at speeds too fast for your skills or the conditions.
- on public roads, a collision can occur with another vehicle.
- carrying a passenger, a passenger can affect balance and control.
- while under the influence of alcohol or drugs
- with long hair or loose clothing unconstrained. Long hair and loose clothing can get caught in moving parts of the mini bike and cause serious injury or death.
- operate this mini bike in an unsafe manner by attempting stunts, jumps or wheelies. This could lead to severe injury or death.

Always:

- supervise children, ages 13-16.
- wear a DOT certified helmet, eye protection, gloves, over the ankle boots, long sleeve shirt and long pants.
- avoid paved surfaces, paved surfaces can adversely affect handling and control.
- keep hands and feet away from all moving parts.
- Check the throttle to ensure it works properly and "snaps back" prior to starting the mini bike.
- be seated before attempting to start the mini bike.

4

WARNING

Check the tires before operating to insure the proper tire pressure. Improperly inflated tires can lead to loss of control which could result in injury or death.

Cold tire pressure:

Front: 10psi \pm .5psi (69 \pm 3.5kpa)

Rear: 10psi \pm .5psi (69 \pm 3.5kpa)

Maximum weight capacity is
200 lbs. (91 kg)

5

WARNING



Keep hands and fingers away from chains and sprockets. Make sure guards are securely in place before operation.

6

WARNING



HOT SURFACES
Allow to cool
before refueling

SAFETY

Never allow anyone under the age of 13 to operate this mini bike. Persons age 13 to 16 should operate this mini bike only under continual adult supervision. Some children may not have the coordination or ability to operate the mini bike safely. It is the parents responsibility to assess the childs abilities before allowing the child to continue to ride.

Always wear a certified DOT or motorcycle type helmet that fits properly, over the ankle boots, eye protection, gloves, long sleeve shirt and long pants while operating this mini bike.

Never allow a passenger on this mini bike. This mini bike is designed for one operator and no passengers.

Never operate this mini bike on paved surfaces and/or public roads. Pavement may cause the mini bike to become unstable. The tires on the mini bike are for off-road use only.

Always begin riding slow paying attention to unfamiliar terrain. Be alert to changing terrain conditions when operating the Mini bike.

Never operate with long hair or loose clothing unconstrained. Long hair and loose clothing can get caught in moving parts of the mini bike .

Never take drugs or alcohol before or during operating this mini bike.

Never traverse, climb or go down a hill that is too steep. Avoid hills with loose or slippery terrain.

Never attempt wheelies, jumps or any other type of stunts on this mini bike.

Always follow the pre-ride inspection procedures and maintenance procedures located in this manual before use.

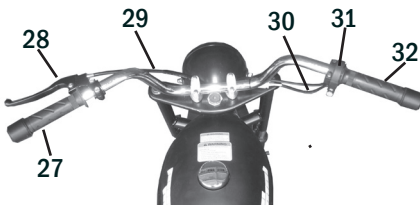
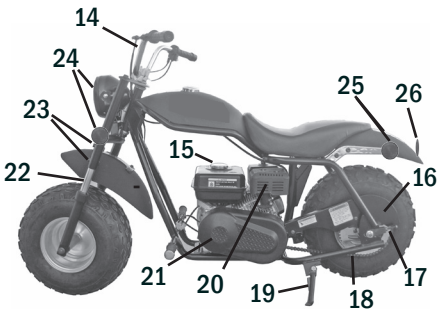
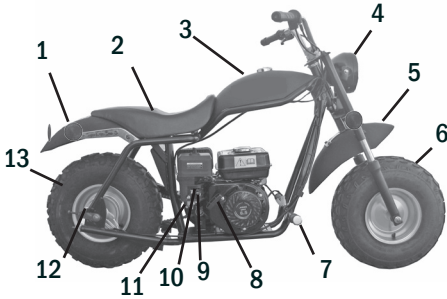
Always go slow on terrain that is not familiar, be alert, an obstacle could come up unexpectedly.

Always keep both hands on the handlebars and both feet on the foot pegs, doing so will help the operator be ready for unexpected situations.

Do not operate in fast flowing water. Water can affect the braking performance of the mini bike. Check braking performance after exposure to water, it may be necessary to apply the brakes allowing friction to dry out the pads.

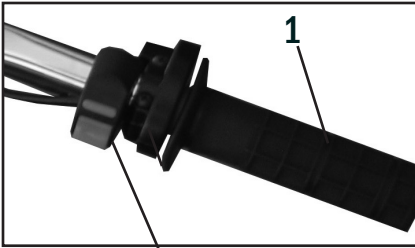
Always Check the throttle to ensure it works properly and “snaps back” to idle prior to starting the mini bike.

DESCRIPTIONS AND PART LOCATIONS

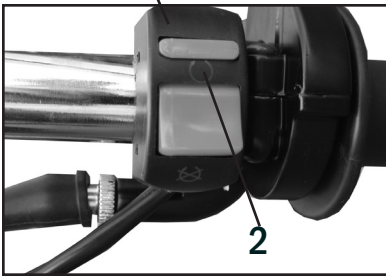




1. Rear Fender
2. Seat
3. Decorative Fuel Tank
4. Head Light
5. Front Fender
6. Front Wheel
7. Foot Pegs
8. Starter Recoil
9. Fuel Valve
10. Choke Lever
11. Carburetor
12. Rear brake adjustment
13. Rear Wheel
14. Handlebars
15. Fuel Tank and Cap
16. Chain Guard
17. Chain Adjustment Nut
18. Chain
19. Kick Stand
20. Muffler
21. Front Chain Guard
22. Front Fork Shock assembly
23. Fork Bolts
24. Front Amber reflectors
25. Rear red side reflectors
26. Rear red reflector
27. Left Hand Grip
28. Rear Brake Lever
29. Brake Cable
30. ON/OFF Switch Wire
31. ON/OFF Switch
32. Throttle Grip

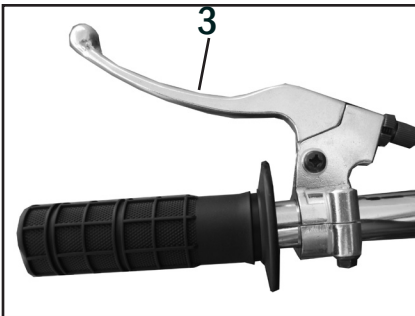
DESCRIPTION AND PART FUNCTIONS



Right Throttle Grip (1): The engine speed is regulated by the position of the right throttle grip. Throttle is increased by turning the throttle grip toward the operator. Engine speed is decreased by turning the throttle grip away from the operator.

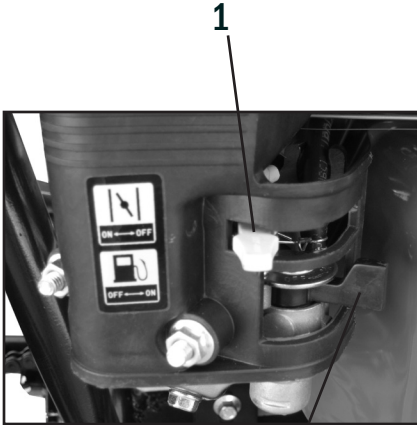


Engine Stop Switch (2): Mini Bike engine can start when the Engine stop switch is placed in the  (on) position. Engine will shut off and the engine will not start when the switch is placed in the  (off) position.



Left hand brake lever (3): The rear brake is applied when the left hand brake lever is pulled toward the hand grip.

DESCRIPTION AND PART FUNCTIONS

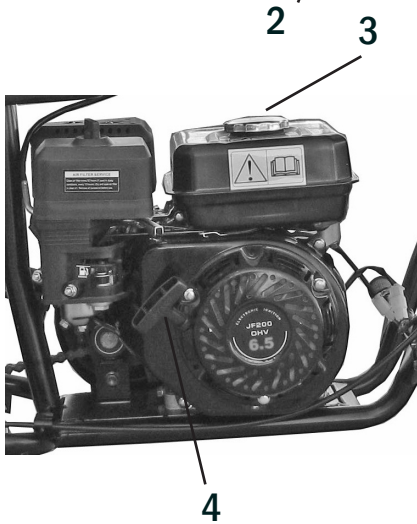


Choke operation

Choke Lever (1): If the engine is cold, the choke can help start the engine by placing the choke lever to the “ON” (left) position. Once engine has warmed up , place choke lever to the “OFF” (right) position.

Fuel Valve operation

Fuel Valve (2): To start the engine and run the mini bike, the fuel valve needs to be placed in the “ON” (right) position. This allows fuel to flow to the carburetor. When finished riding, and while transporting, place fuel valve in the “OFF” (left) position.



Fuel Cap

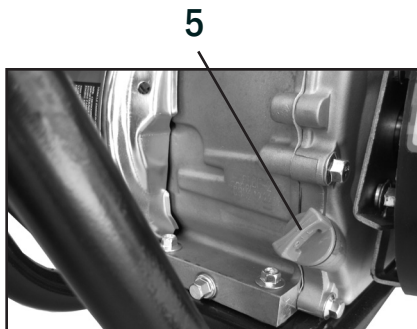
Fuel Tank Cap

To open the fuel tank cap (3), Turn the cap counter clockwise to remove. To re-install the cap, turn the cap clockwise until snug.

Starter Recoil Cord

Starter Recoil Cord (4)

To start the engine, place the on/off switch locate on the handlebars to the “ON” position and pull the Starter Recoil Cord



Oil Fill plug

Oil Fill PLug (5)

To check or add oil, open the oil fill plug/ dipstick by turning couter clockwise. To tighten, turn clockwise.

PRE-RIDE INSPECTION

Inspecting and checking the condition of the Mini Bike before each ride is important. Following the pre-ride check list will help insure the you do not have mechanical problems which could result in injury or becoming stranded. Make sure the Mini Bike is in good operating condition before each ride.

WARNING

Failing to inspect and maintain your Mini Bike could be hazardous.

Not following the pre-ride inspection procedures could result in loosing control of the Mini Bike resulting in an accident or damage to the Mini Bike

Always perform a Pre-ride inspection before each ride.

WARNING

Performing maintenance and checks while the engine is running could be hazardous.

You could be severely injured by moving parts or hot surfaces.

Never perform maintenance or check procedures while the engine is running with the exception of checking the engine stop switch or throttle.

WHAT TO CHECK	CHECK FOR
Steering	<ul style="list-style-type: none"> • Smoothness • No restriction of movement
Brakes	<ul style="list-style-type: none"> • Brake shoe wear. • Proper brake lever play
Tires	<ul style="list-style-type: none"> • Proper tire pressure • Proper tread depth • Rubber has no cracks
Fuel Tank	<ul style="list-style-type: none"> • Enough fuel for the ride • Fuel cap secure • Hoses have no signs of cracks or leaks
Throttle grip	<ul style="list-style-type: none"> • Throttle grip snaps back to idle when released • Operates freely • Has correct free play
Lighting	<ul style="list-style-type: none"> • Proper operation of Headlight
Engine Stop Switch	<ul style="list-style-type: none"> • Switch shuts off engine when activated.
Engine Oil	<ul style="list-style-type: none"> • Correct oil level
Drive Chain	<ul style="list-style-type: none"> • Proper tension • Lubricated • No excessive wear or damage
General Condition	<ul style="list-style-type: none"> • All nuts and bolts tight • No rattles from engine or frame while running

RIDING THE MINI BIKE

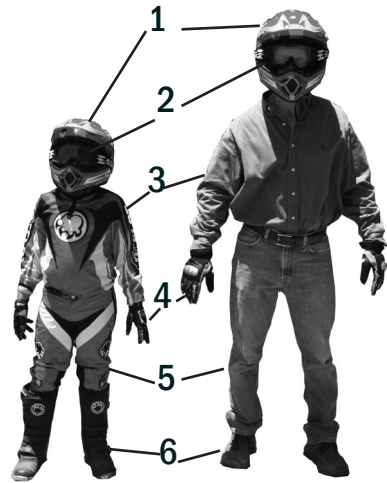
HELMET, EYE PROTECTION, PROTECTIVE CLOTHING

Always wear a DOT or SNELL certified motorcycle helmet (1). A helmet helps protect against serious head injuries in the event of an accident. A helmet is the most important safety gear item you can wear. Consult with a motorcycle dealer for the correct size and type of motorcycle helmet that is right for you.

Always wear eye protection when riding a Mini Bike such as a face shield or goggles (2). While riding a Mini Bike you can be hit in the eyes by any of the following: dust, branches, rocks, debris from other riders, bugs, etc. Good eye protection as well as a helmet and protective riding gear should be mandatory when riding a Mini Bike.

Wear protective clothing: Long sleeve shirt (3), Gloves (4), Long pants (5), over the ankle boots (6).

Riding a Mini Bike exposes the rider to many hazards, wearing protective clothing can help protect the rider from injury.



⚠ WARNING

Riding the Mini Bike without a helmet, eye protection, and protective clothing can be hazardous

Riding a Mini Bike without a helmet increases the chance of severe head injury or death in the event of an accident.

Riding a Mini Bike without eye protection such as a face shield or goggles could result in severe injury in the event of an accident.


Riding a Mini Bike without protective clothing; over the ankle boots, long pants, gloves, long sleeve shirt could result in severe injury in the event of an accident.

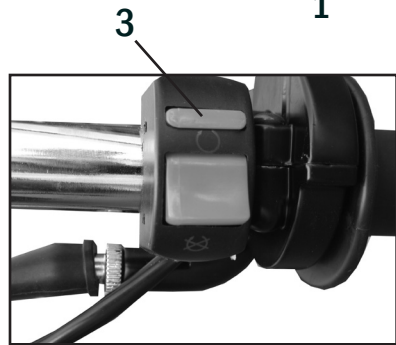
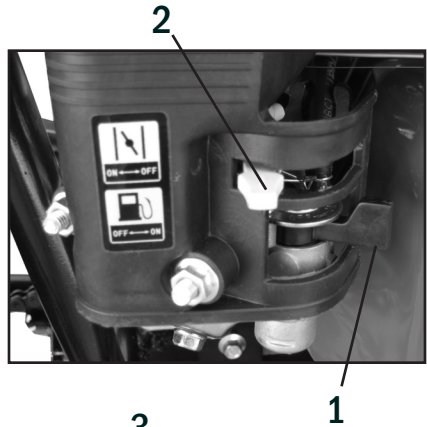
Always wear a Helmet, eye protection, long pants, long sleeve shirt, over the ankle boots and gloves when riding the Mini Bike.

RIDING THE MINI BIKE

STARTING ENGINE

To start the engine

1. Place the fuel valve (1) in the “ON” (right) position
2. Place the choke lever (2) in the “ON” (left) position (see below for proper choke operation).
3. Place the ON/OFF switch (3), located on the handlebars, in the  (on) position.
4. Pull the starter recoil cord (4) to start the engine.



Choke operation:

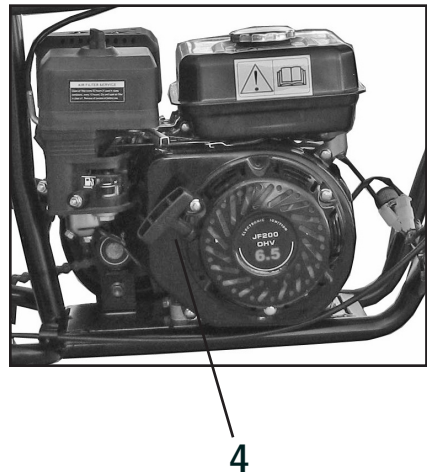
This engine is equipped with a manual choke to assist in starting a cold engine. Use the choke only when cold starting the engine. If the ambient temperature is above 50°F, turn off the choke after 20 seconds of operation. If the ambient temperature is below 50°F turn the choke off after 60 seconds of operation. Do not continue to run the engine or drive the vehicle with the choke on as this will cause excess black smoke and reduced engine performance.

WARNING

Starting or running the Mini Bike in an enclosed area such as a garage or shed where there is no ventilation is hazardous

Inhaling exhaust fumes from the Mini Bike can cause severe injury or death

Never start or run the Mini Bike in an inclosed environment where there is no ventilation. Always start and run outdoors.



RIDING THE MINI BIKE

STARTING OFF

1. Start and warm up the engine according to the instructions in this manual.
2. Place the side kick stand in the up position.
3. Apply the throttle gradually to start riding. Practice riding mini bike on a flat dirt surface that has plenty of room for turning.

WARNING

Turning the throttle grip to full throttle when starting off could be hazardous.

The Mini Bike could lurch forward causing the front wheels to leave the ground causing loss of control.

Always open the throttle gradually when starting off from a stopped position.

WARNING

Removing hands from the handlebars and/or feet from the footrest while operating the Mini Bike could be hazardous.

Removing both or one hand from the handlebars and/or feet from the footrests could result in loss of control of the Mini Bike resulting in severe injury or death.

Always ride with both hands on the handlebars and both feet on the footrests while operating the Mini Bike.

WARNING

Operating this Mini Bike at excessive speeds could be hazardous.

Riding at excessive speeds increases your chances of losing control of the Mini Bike, which could result in severe injury or death.

Always go at a speed that is proper for the terrain, visibility, operating conditions, operator skill, and operator experience. Always know the terrain before riding.

WARNING

Braking while turning could be hazardous.

Braking while turning could cause the Mini Bike to slide out of control which could result in severe injury or death.

Before making a turn, slow down and release the brake.

RIDING THE MINI BIKE

Load Guidelines

Load guidelines including accessories:

Never exceed the maximum load capability of the Mini Bike. This includes the weight of the rider and any cargo. This Mini Bike is rated at 200 lbs. (91kg).

Do not add any accessory or cargo to the handlebars that could impede vision or make the Mini Bike harder to steer.

Make sure accessories do not get in the way of any controls of the Mini Bike.

After Market parts

After market parts and accessories may be available from other manufactures. BV Powersports cannot confirm the quality, safety or suitability of accessories available. When purchasing an accessory, use caution, the handling of the Mini Bike could become affected. Some accessories may make the Mini Bike unsafe to ride. If you have a question about a modification or accessory, contact your dealer or call BV Powersports.

WARNING

Riding this Mini Bike with modifications or adding accessories could be hazardous.

Modifications to the Mini Bike, including adding accessories, could adversely affect the handling of the Mini Bike causing an accident which could result in severe injury or death.

Never Modify this Mini Bike in anyway, including adding accessories, unless the modification is a genuine certified modification or accessory approved by the manufacture.

Never modify the Mini Bike with improper installation. Make sure to follow all instructions recommended in the certified modification. Use only genuine parts.

MAINTENANCE

For maintenance, your mini bike may be maintained by an authorized BV Powersports service dealer or a repair shop of your choosing.

Following the proper maintenance procedures and time table for maintenance listed in this manual is important for the safety of the rider and the life span of the Mini Bike. When riding in harsh conditions, such as water, mud and dust, the maintenance procedures should be performed more often.

WARNING

Failing to perform the recommended maintenance on this Mini Bike could be hazardous.

Failing to perform proper maintenance on this Mini Bike could result in an accident

Always perform the recommended maintenance for the Mini Bike as listed in this manual.

WARNING

Performing maintenance and inspection while the engine is running could be hazardous.

Performing maintenance and inspections while the engine is running could result in getting body parts or clothing caught in moving parts, or could result in touching hot items which could result in severe injury.

Shut off engine when performing maintenance and inspection checks, with the exception checking the engine stop switch and throttle.

CAUTION

Failing to perform recommended maintenance on this Mini Bike could damage the Mini Bike engine and components

Always perform the recommended maintenance on this Mini Bike as listed in this manual

Maintenance will need to be performed more often if ridden in wet, muddy or dusty conditions.

CAUTION

Failing to use compatible parts with the original replacement parts could damage Mini Bike

Using parts that are of low quality could result in Mini Bike breakdowns and reduce the useful life of the Mini Bike.

Never use parts that are not compatible with the original parts..

MINI BIKE MAINTENANCE CHART

	Each Use	1st Month /20 hrs	Every 3 Months/ 50 hrs.	Every 6 Mo/ 100 Hrs	Every Year/ 300 hrs.
Engine oil - check	X				
*Engine oil - change		X	X		
Air filter - check	X				
*Air filter - clean			X		
*Air filter - change					X
*Carburetor Sediment cup clean			X		
*Spark plug clean and adjust				X	
Spark Plug Replace					X
Idle speed check and adjust					X
**Valve clearance check , adjust					X
*Fuel tank and Filter clean					X
Fuel tube check					X
Centrifugal clutch, clean and lube	Every 24 hours of use				
All nuts and bolts check for tightness	X				
Chain tension check	X				
Brakes - Check	X				
Throttle - Check	X				

* Can be performed by the owner if owner has the tools and knowlege to do so. Or can be performed by a service center.

** Recommended to be performed by an authorized service center or service center of the owner's chosing.

MAINTENANCE

Air Filter

The air cleaner element needs to be cleaned or replaced periodically (see chart for cleaning/replacement intervals). The air filter element will need to be cleaned more often if Mini Bike is ridden in muddy, wet, or dusty conditions. A clean air filter will help the Mini Bike run at peak performance allowing better gas mileage, more power and will protect the engine from the damaging effects of dirt entering the engine.

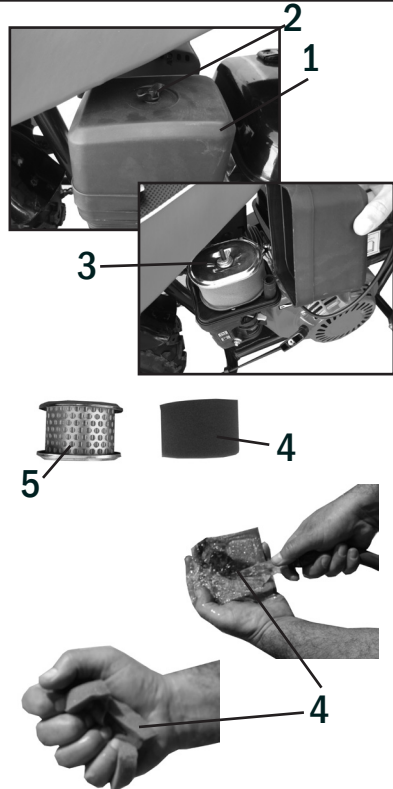
Air filter removal, inspection and cleaning instructions

- 1, Locate the air filter assembly (1)
2. Remove the Air filter assembly cover by removing the wing nut (2).
3. Remove the air filter element from the assembly by removing the wing nut (3)
3. Remove the foam element (4) from the paper air filter element (5) and clean foam element with mild soap and water. Rinse and squeeze out excess water and allow to dry .
Note: If foam element (4) is damaged, replace.
4. Inspect the air filter paper element (5) for dirt and damage. If dirty, gently tap element on ground to remove any excess debris. Gently blow out element from the inside with compressed air. If element is too clogged or damaged for continued use, replace the element.
5. Once cleaned or replaced, re-install.

CAUTION

Clean air filter frequently if Mini Bike is driven in wet, muddy or dusty conditions.

Driving in the above conditions without cleaning frequently can plug up the air filter which can cause poor gas mileage, low power and cause damage to the engine.



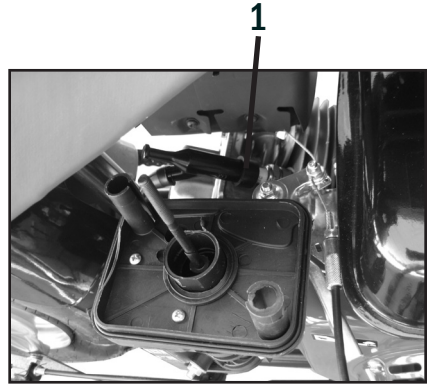
MAINTENANCE

Spark Plug

This Mini Bike comes equipped with a Torch - F7RTC spark plug.

To inspect the spark plug, remove the air filter cover and element to gain access. Remove spark plug cap (1) then remove the spark plug from the engine with the spark plug tool provided.

Inspect the plug for carbon deposits and clean if necessary. If plug shows excessive carbon, replace the plug.



CAUTION

Dirt can damage the engine if enters the spark plug hole.

Make sure the spark plug hole is covered after removing plug.

Use a thickness feeler to inspect the spark plug gap (2). The spark plug gap should be 0.6 - 0.8mm (0.024 - 0.032 in.)

Re-install the inspected plug or new plug until finger tight. Finish tightening plug with a wrench. If the plug is a new plug, tighten approximately 1/2 turn more with the wrench. If plug is an old plug, tighten approximately 1/8 turn more with a wrench.



MAINTENANCE

Engine Oil

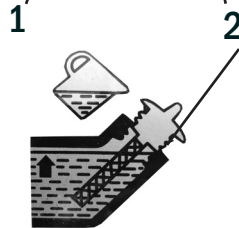
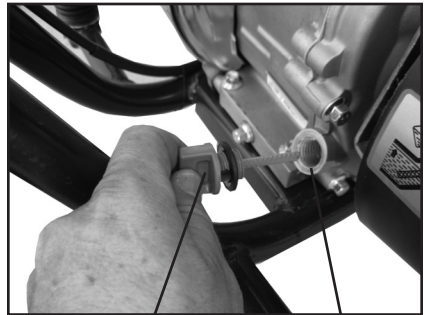
The proper amount and grade of engine oil will have a great impact on the life of the engine. Checking the oil daily and changing the oil as listed in the maintenance schedule is the most important maintenance procedure for the engine.

Checking the engine oil

1. Make sure the Mini Bike is on level ground.
2. Check engine oil level by removing the oil fill plug/dipstick (1) located on bottom front left front side of the engine.
3. If engine oil is low, add oil until oil is at edge of fill hole (2). Use the correct grade of oil as listed in this manual. Do not over or under fill engine with oil, this could damage the engine.

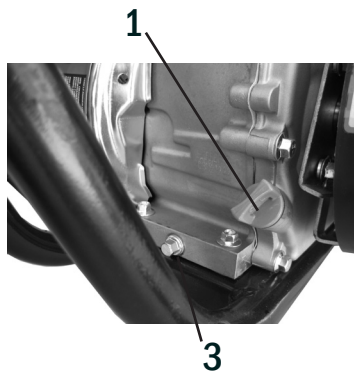
⚠ WARNING

New and used oil can be hazardous. Children and pets can be harmed by swallowing new or used oil. Continuous contact with used engine oil has been found to cause skin cancer in laboratory animals. Always keep new or used oil away from children and pets.



Changing the engine oil

1. Make sure engine is warm before attempting to drain the oil. A warm engine will help the oil drain quicker.
2. Remove the oil fill plug (1)
3. Remove the drain bolt (3) located on the bottom of the engine.
4. Allow the oil to drain in an appropriate container. Note: Dispose of oil at an oil recycle center.
5. Install the drain plug and fill with the appropriate type of oil as listed in this manual. This mini bike takes .53qt. (.5L) of engine oil.
6. Re- install fill cap, Start engine and allow to run for a few minutes, Re-check oil level and fill accordingly.



MAINTENANCE

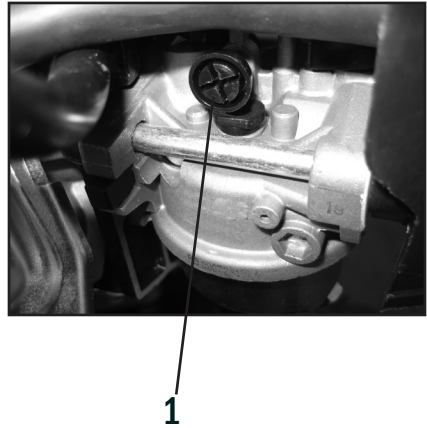
Idle speed adjustment

The idle speed should be set at 1440 ± 150 RPMs

To adjust the idle speed:

1. locate the idle adjustment screw (1) located on the carburetor.
2. Allow the engine to warm up approximately 10 minutes
3. With the engine running, turn the idle adjustment screw in or out at small increments until the correct idle is achieved.

Note: A service center can perform this adjustment. A diagnostic tachometer is required for this adjustment.



Throttle Cable adjustment

It is important that the throttle grip have a certain amount of free play so the throttle does not rise when the handlebars are turned from left to right.

The hand grip throttle free play (2) should be $.078 - .24$ in (2-6 mm)

To adjust freeplay

1. Loosen jam nut (3)
2. Turn adjusting nut (4) to proper setting
3. Once throttle grip is at the proper freeplay, re-tighten the jam nut (3).

NOTE: After any adjustment, make sure throttle snaps back to idle when released.



WARNING

Inadequate throttle play can be hazardous

The engine speed could rise when the handlebars are turned if there is not enough throttle play. This could result in loss of control.

Always check throttle play before each ride. Turn handlebars from side to side making sure throttle does not increase when doing so.

Fuel Hose Inspection

Inspect the fuel hose for any cracks or leaks and make sure all clamps are in place. Replace the fuel hose if any defects are found.

MAINTENANCE

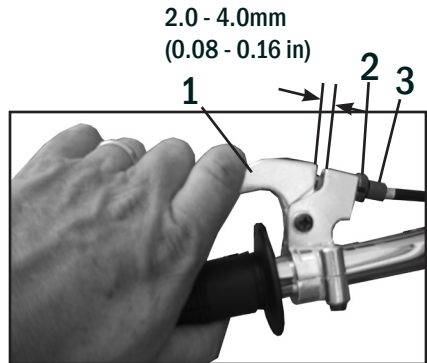
Brakes

Brake Lever Adjustment

The front left brake lever (1) should have 2.0 - 4.0mm (0.08 - 0.16) of free play.

To adjust brake lever free play:

1. Loosen the Jam nut (2) on the brake cable.
2. Turn the adjuster nut (3) until the correct amount of free-play is achieved.
3. Re tighten the jam nut (2)

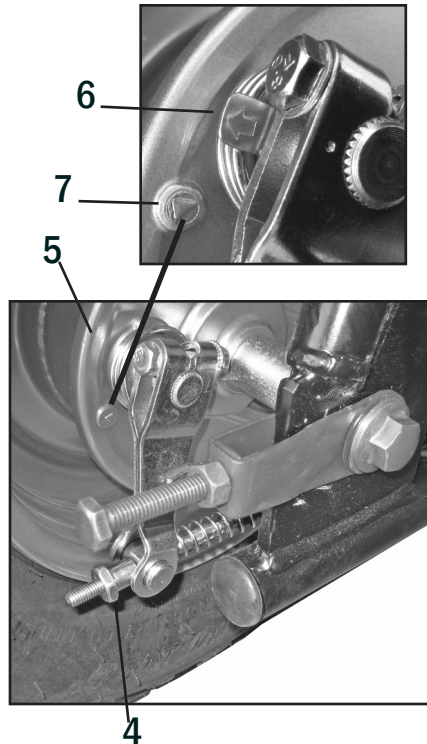


Brake Adjustment

The brake adjustment nut (4) is located on the rear brake drum assembly (5) located on the rear wheel

To adjust brakes, turn the adjusting nut (4) clockwise to increase braking, counter clockwise to decrease braking.

To inspect brakes for wear, check the arrow (6) on brake lever. If the arrow passes arrow (7) on the drum when brakes are applied, then the brakes will need to be inspected and possibly replaced by an authorized service center.



Valve Clearance:

Adjusting the valves should be done by an authorized service center. Proper valve gap will help Mini Bike run at peak performance. Follow the valve gap adjustment intervals listed in the maintenance chart.

Proper Valve Clearance

Intake: 0.1 - 0.15 mm

Exhaust: 0.15 - 0.2 mm

MAINTENANCE

Chain

Chain and Sprocket Inspection

Inspect the drive chain for wear, rust, bound links, proper lubrication and proper tension.

If the drive chain has a problem correct or replace. Contact a service center for chain replacement.

A worn drive chain could also mean the sprockets may be worn.

Look for the following on the sprockets (1):

Worn teeth

broken or damaged teeth

Loose sprocket mounting nuts.

If the sprocket shows signs of wear, contact a service center for replacement.

Chain tension

Check the tension of the chain , The chain

(1) tension should be

1/2 - 3/4 in. (15-20mm)

Chain tension (slack) adjustment

1. Loosen the axle bolt (2) on the rear axle assembly.

2. Adjust chain tension by loosening jam nut (3). Turn the tensioner bolt (4) to adjust the chain tension. Clockwise will tighten the chain. Counter clockwise will loosen the chain. Note: tensioner bolts are located on both sides of the mini bike. both sides will need to be adjusted the same to keep the tire and chain aligned properly

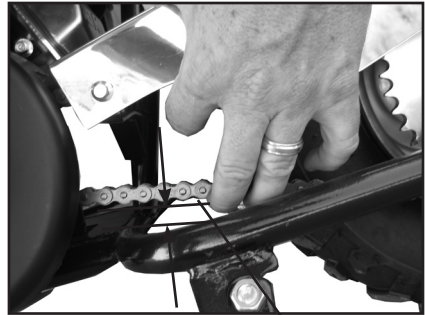
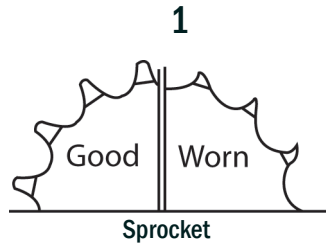
3. Once the chain is at the correct tension tighten jam nut (3) and re-tighten axle bolt (2).

Chain lubrication

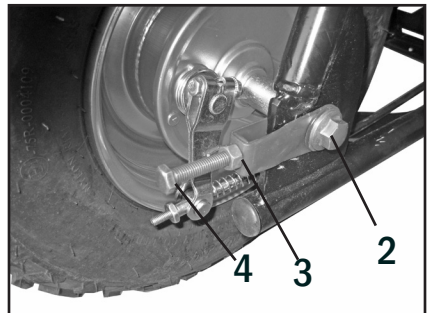
Lubricating the chain before each ride will help to ensure maximum life of the chain and sprockets.

Instructions for cleaning and chain lubrication:

1. Clean chain with water and allow to dry.
2. Lubricate chain with chain lube.



1/2 - 3/4 in.
(15-20mm)

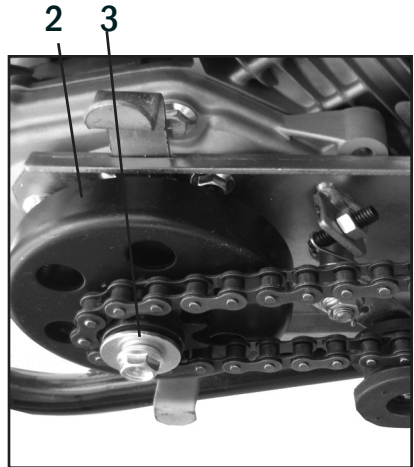
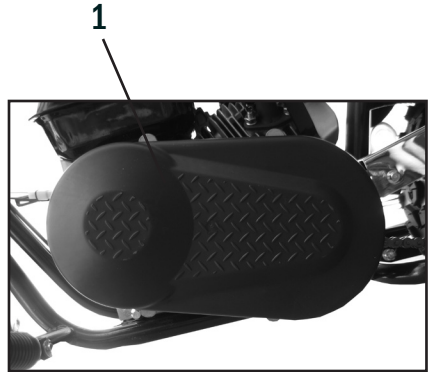


MAINTENANCE

Centrifugal Clutch Cleaning and lubrication

To help ensure the maximum life out of the Centrifugal clutch. It is important to clean and lubricate the clutch after every 24 hours of operation. To Clean and lubricate, follow the instructions below

1. Make sure engine is not running and that the engine and clutch has had time to cool.
2. Remove clutch cover (1).
3. Wipe off Centrifugal clutch with a clean rag.
4. Lubricate Centrifugal clutch (2) using the same type of motor oil that is used in the engine. Place a few drops of motor oil on the drive shaft (3) where the clutch is attached. Do not oil any other portion of the clutch. **DO NOT PLACE ANY OIL IN THE LARGE HOLES IN THE CLUTCH. THE HOLES ARE FOR AIR CIRCULATION ONLY. DO NOT OIL THE INSIDE OF THE CLUTCH.**
5. RE-INSTALL THE CLUTCH COVER BEFORE STARTING OR OPERATING THE MINI BIKE.



⚠ WARNING

Performing maintenance and inspection on the centrifugal clutch while the engine is running could be hazardous.

Performing maintenance and inspections on the centrifugal clutch while the engine is running could result in getting body parts or clothing caught in moving parts, or could result in touching hot items which could result in severe injury.

Shut off engine and allow to cool before performing maintenance and inspection on the centrifugal clutch.

⚠ WARNING

Operating the mini bike without the clutch cover in place could be Hazardous.

Operating the mini bike without the clutch cover could result in getting body parts or loose clothing caught in moving parts which could result in severe injury.

Never Start or operate the mini bike without the clutch cover in place.

MAINTENANCE

Tires

Inspect tires before each ride, this should include the following:

1. Inspect for cracks or leaks
2. Inspect tread depth. If tread depth is below 4mm (.16 in.) replace the tire.
3. Check tire pressure. Incorrect tire pressure can affect the handling, rider comfort, steering, tire life and traction.

Always check the tire pressure before each ride.

Tire pressure

Front tires: 10psi (69 kpa)

Rear tires: 10psi (69 kpa)

Tire size:

Front tires: AT19x7-8

Rear Tires: AT19x7-8

Replacing tires

Always replace tires with type and size listed in this manual.

Always use the correct tools when replacing tires. The bead and sometimes the rim can be damaged by using the wrong type of tools. It is usually best to have tires replaced by an authorized service center. Service centers have the correct equipment and expertise to change tires without causing damage.

Punctures to tires can usually be repaired by using plug type patches. Plug type patches cannot repair tires that have been cut. If the tire has been cut or has a puncture in a location or size that cannot be repaired, replace the tire.

Be prepared for flat tires, always carry a plug type patch kit and air pump with you.



Minimum tread
4mm (.16 in.)



⚠ WARNING

Operating this Mini Bike with worn tires could be hazardous

Operating this Mini Bike with worn tires will reduce traction which could result in an accident.

Never operate this Mini Bike with tires that have a tread depth of less than 4mm (0.16 in.)

⚠ WARNING

Operating this Mini Bike with improper tire sizes or pressure could be hazardous

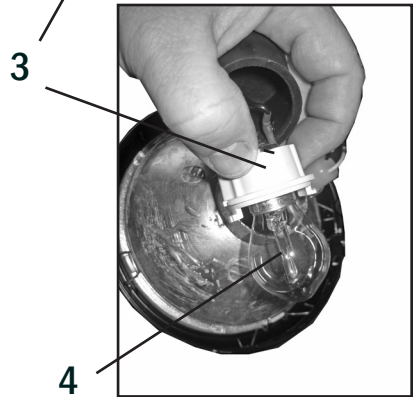
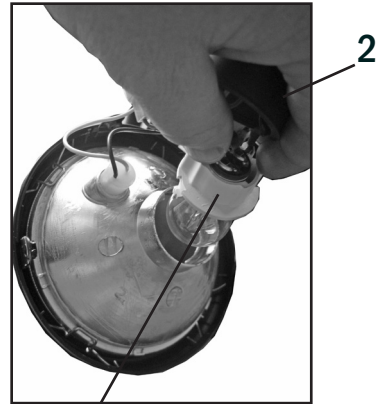
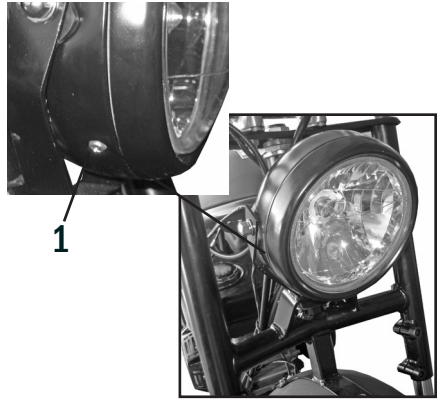
Operating this Mini Bike with improper tire sizes or pressure could result in loss of control of the Mini Bike which could result in an accident.

Never operate this Mini Bike with improper tire sizes or pressure.

Headlight bulb:

The front light on this mini bike is continuously lit while the engine is running. If light is burned out, replace the bulb.

1. Remove the front light housing by removing screws (1).
2. Pull back rubber protector cap (2) from front light assembly exposing the plastic receptical (3) .
3. Remove bulb by pressing down and turning counter clockwise the plastic receptical (3)
4. Remove bulb (4) by pressing in and turning counter clockwise. Replace bulb



Storage

If the Mini Bike is left unused for an extended period of time proper storage maintenance is required.

1. Wash Mini Bike thoroughly, then wax painted parts with a non abrasive auto wax. Coat vinyl seat and rubber parts with a vinyl/rubber protectant.

Note: Keep water away from air intake and muffler outlet while washing to avoid water from entering the engine and/or components.

2. Drain carburetor by placing fuel valve (1) to the off (right) position and opening the drain screw (2). Allow all fuel to drain from the carburetor. Once fuel is drained, re-tighten drain screw (2).

Note: Make sure to drain fuel in a proper storage container.

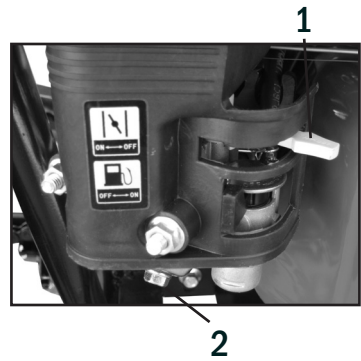
3. Fill fuel tank to full with gasoline mixed with fuel stabilizer as recommended by the fuel stabilizer manufacture. Note: Fuel stabilizer can be purchased at most motorcycle shops and auto parts stores.

4. Remove spark plug and pour 1 tablespoon of motor oil in the spark plug hole. Re-install spark plug.

5. Place the starter button to the off position and pull the start recoil cord a few times. This is to coat the inside cylinder head with oil.

6. Fill tires with correct air pressure.

7. If possible, store Mini Bike in a shed or garage with a cover to protect from dust, dirt and humidity. If the Mini Bike must be stored outdoors, cover completely with a good waterproof cover.



Returning to service

1. Wash Mini Bike thoroughly.

Note: Keep water away from air intake and muffler outlet while washing to avoid water from entering the engine and/or components.

2. Drain engine oil and replace with fresh clean oil as listed in this manual.

3. Review this owner's manual and follow the pre-ride inspection procedures.

4. Start engine by following the starting procedures in this manual.

Washing the Mini Bike

1. Wash mud and dirt off Mini Bike with low pressure water from a hose. Do not use high pressure nozzles, this could allow water to enter the engine causing damage.

2. Wash Mini Bike using a mild detergent or car soap using a sponge, soft rag or brush. Do not use any cleaning materials that could scratch the surfaces.

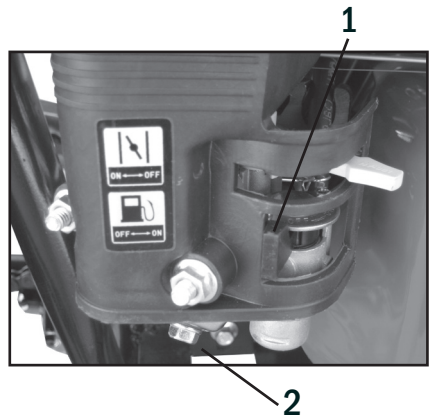
Note: Be careful not to allow water to enter the muffler outlet, air filter intake, brake cable, throttle cable or switches.

Transporting

1. Make sure fuel valve (1) is turned to the OFF (left) position.

2. Drain carburetor by turning fuel valve (1) to the off position and opening the drain screw (2). Allow all fuel to drain from the carburetor. Once fuel is drained, re-tighten drain screw (2).

Note: Make sure to drain fuel in a proper storage container.



3. Transport the Mini Bike with the Mini Bike in the upright position (3) tied down securely.



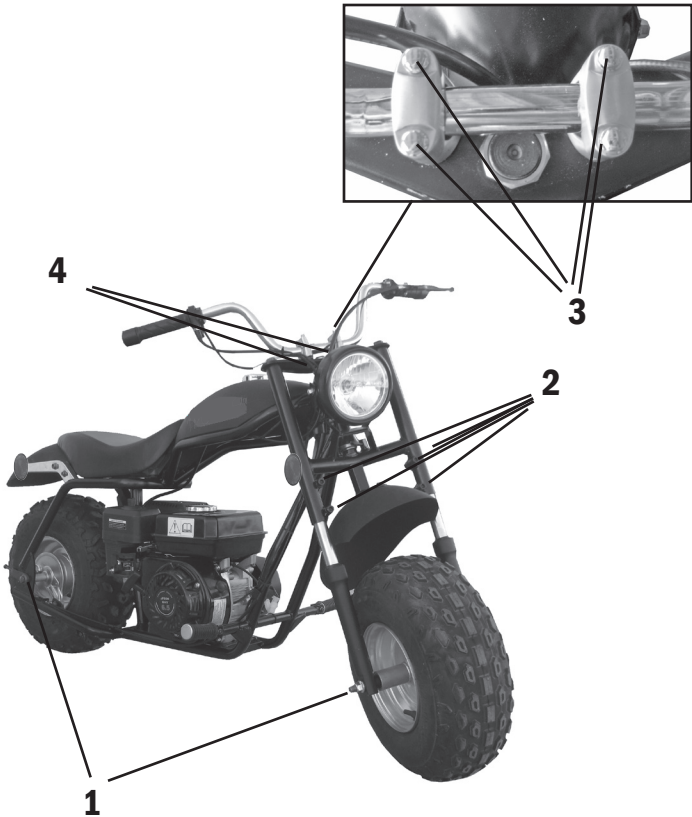
3

TROUBLESHOOTING

Trouble	Possible cause	Solution
<p>Engine will not start</p>	<ul style="list-style-type: none"> • Low fuel • Stale or contaminated fuel. • Fuel valve is in the “OFF” position • Loose spark plug • Spark plug fouled or defective. • Spark plug gap is incorrect • Spark plug cap is not attached • Choke is not in the “ON “ (left) position for starting a cold engine. • Problem with the electrical system • Air filter dirty • Valves not adjusted properly 	<ul style="list-style-type: none"> • Fill with fresh fuel • Have a service center flush and fill with fresh fuel. • Place fuel valve in the “ON” position. • Tighten spark plug • Clean or replace plug • Gap the plug • Attach spark plug cap • Place choke in the “ON” (left) position • Take to a service center for repair • Clean or replace air filter • Take to a service center for repair
<p>Engine stalls or runs erratically</p>	<ul style="list-style-type: none"> • Low fuel • Stale or contaminated fuel • Choke is left in the “ON” (left) position • Spark plug is fouled or defective • Spark plug gap is incorrect • Spark plug cap is loose • Carburetor is clogged or has water in it • Idle is not adjusted properly • Problem with the electrical system • Air filter dirty • Valves not adjusted properly 	<ul style="list-style-type: none"> • Fill with fresh fuel • Have a service center flush and fill with fresh fuel. • Place the Choke in the “OFF” (right) position. • Clean or replace plug • Gap the plug • Secure the spark plug cap • Take to a service center • Take to a service center • Take to a service center for repair • Clean or replace air filter • Take to a service center for repair

TORQUE SPECIFICATIONS

Make sure all nuts and bolts are tight. Specific nuts and bolts listed below need to be torqued to a specified spec to ensure safety. This procedure will need to be performed with a torque wrench which can be purchased at most hardware stores, motorcycle dealers or auto part stores.



Front and rear axle bolts (1)	40ft.lbs (54Nm)
Front shock bolts (2)	35ft.lbs (47.5Nm)
Handlebar head assembly bolts (3)	20ft.lbs (27 Nm)
Handlebar bracket bolts (4)	35ft.lbs (47.5Nm)

SPECIFICATIONS

<u>Engine</u>	<u>Braking</u>
Displacement 196cc	Rear Brakes (Type) Drum
Starting Recoil Cord	
Spark Plug Type Torch - F7RTC	
Cooling Air cooled	<u>Tires</u>
Ignition Type T.C.I	Front Tire Size AT19x7-8
Cylinder head config. OHV	Rear Tire Size AT19x7-8
Number of Cylinder Single	
Combustion Cycle 4-stroke	
Bore and Stroke 68 x 54mm	<u>Dimensions and Weights</u>
Compression Ratio 8.5:1	Length 66.14in (1680mm)
Rated Power 3.8kw @ 3600rpm	Height 38.58in. (980mm)
Rated Torque 10Nm @ 2500rpm	Width 31.5in. (800mm)
Idle Speed 1440 ± 150 rpm	Wheelbase 49.21in. (1250mm)
Top Speed 24mph (39km/h)	Vehicle Wt. 167.5lbs (76kg)
Lights Front Headlight	Weight Cap. 200lbs (91kg)
Continuously on	Ground Clearance 6.7in (170mm)
	<u>Fuel</u>
<u>Transmission</u>	Gas Tank Capacity .95gal.
Drive System Type Chain Drive	(4.2L)
Gear Ratio Centrifugal clutch	Fuel type Unleaded 87 octane
	or higher
	<u>Oil</u>
<u>Suspension</u>	Oil Capacity .53qt. (.5L)
Front Type Fork shocks	Oil Type SAE 10W-40
Rear Type Low pressure tires	
Shock Type Front Hydraulic	
Type Rear Low pressure tires	

FRAME AND ENGINE NUMBER LOCATION

The Vehicle identification number and the engine number are needed when calling for parts, service center help or when registering your Mini Bike. Locate the numbers and list the numbers below for reference.

VIN #



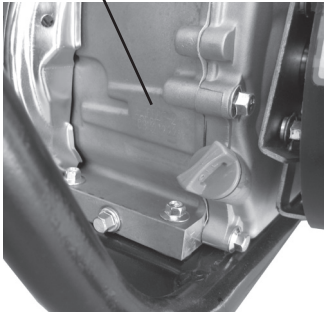
The 17 digit Vehicle Identification Number (VIN) is located on the vertical tube on the neck of the mini bike

Vehicle Identification Number

--	--	--	--	--	--	--	--	--	--	--	--	--	--	--	--	--	--



ENGINE #



The engine number is located on the left, bottom front portion of the Mini Bike Engine.

Engine Number

EMISSION CONTROL SYSTEM WARRANTY

Below is the emission control system warranty printed in the owner's manual, the copy of the owner's manual is available upon your request.

YOUR WARRANTY RIGHTS AND OBLIGATIONS

The U.S. Environmental Protection Agency, and **BV POWERSPORTS,LLC** are pleased to explain the emission control system warranty on your 2012 ATV. New highway motor vehicles must be designed, built and equipped to meet U.S. EPA Federal anti-smog standards. BV must warrant the emission control system on your vehicle for 5,000 km or for 30 months, whichever comes first, provided that there has been no abuse, neglect or improper maintenance of your vehicle.

Your emission control system may include parts such as the carburetor or fuel injection system, the ignition system, catalytic converter and engine computer, if it is equipped. Also included may be hoses, belts, connectors and other emission-related assemblies.

Where a warrantable condition exists, BV will repair your vehicle at no cost to you, including diagnosis, parts and labor.

If an emission-related part on your vehicle is defective, the part will be repaired or replaced by BV. This is your emission control system defects warranty.

NOTICE! Use of any BV vehicles in any type of competitive event completely and absolutely voids this and all other warranties offered by BV.

OWNER'S WARRANTY RESPONSIBILITIES

As the vehicle owner, you are responsible for the performance of the required maintenance listed in your owner's manual. BV recommends that you retain all receipts covering maintenance on your vehicle, but BV cannot deny warranty solely for the lack of receipts or for your failure to ensure the performance of all scheduled maintenance.

You are responsible for presenting your vehicle to the BV' dealer as soon as a problem exists. The warranty repairs should be completed in a reasonable amount of time, not to exceed 30 days. As the vehicle owner, you should be aware that BV may deny your warranty coverage if your vehicle or a part has failed due to abuse, neglect, improper maintenance or unapproved modifications.

ORDER PARTS

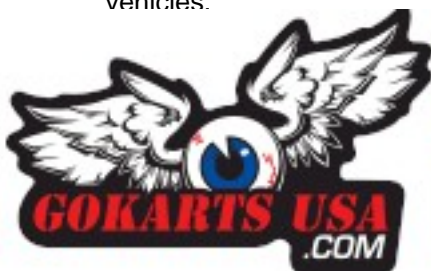
www.gokartsusa.com/TrailMaster-Mini-Bike-Parts.aspx

BV warrants that each new 2012 and later BV's ATV

- A. is designed, built and equipped so as to conform at the time of initial retail purchase with all applicable regulations of the United States Environmental Protection Agency, and
- B. is free from defects in material and workmanship which cause such vehicle to fail to conform with applicable regulations of the United States Environmental Protection Agency for the

periods specified above.

- I. **Coverage.** Warranty defects shall be remedied during customary business hours at any authorized BV' dealer located within the United States of America in compliance with the Clean Air Act and applicable regulations of the United States Environmental Protection Agency. Any part or parts replaced under this warranty shall become the property of BV.
- II. **Limitations** This Emission Control System Warranty shall not cover any of the following:
 - A. Repair or replacement as a result of
 - (1) accident,
 - (2) misuse,
 - (3) repairs improperly performed or replacements improperly installed,
 - (4) use of replacement parts or accessories not conforming to BV' specifications which adversely affect performance and/or
 - (5) use in competitive racing or related events.
 - B. Inspections, replacement of parts and other services and adjustments required for required maintenance.
 - C. Any vehicle equipped with an odometer or hour meter on which the odometer mileage or hour meter reading has been changed so that actual mileage cannot be readily determined.
- III. **Limited Liability**
 - A. The liability of BV under this emission control system warranty is limited solely to the remedying of defects in material or workmanship by an authorized BV' dealer at its place of business during customary business hours. This warranty does not cover inconvenience or loss of use of the vehicle or transportation of the vehicle to or from the BV' dealer. BV shall not be liable for any other expenses, loss or damage, whether direct, incidental, consequential or exemplary arising in connection with the sale or use of or inability to use the vehicle for any purpose. Some states do not allow the exclusion or limitation of any incidental or consequential damages, so the above limitations may not apply to you.
 - B. No express emission control system warranty is given by us except as specifically set forth herein. Any emission control system warranty implied by law, including any warranty of merchantability or fitness for a particular purpose, is limited to the express emission control system warranty terms stated in this warranty. The foregoing statements of warranty are exclusive and in line of all other remedies. Some states do not allow limitations on how long an implied warranty lasts so the above limitations may not apply to you.
 - C. No dealer is authorized to modify this BV Limited Emission Control System Warranty.
- IV. **Legal Rights.** This warranty gives you specific legal rights, and you may also have other rights which vary from state to state.
- V. This emission control system warranty is in addition to the standard limited warranty for all vehicles.



performance and

ORDER PARTS

www.gokartsusa.com/TrailMaster-Mini-Bike-Parts.aspx



GOKARTS
USA **.COM**