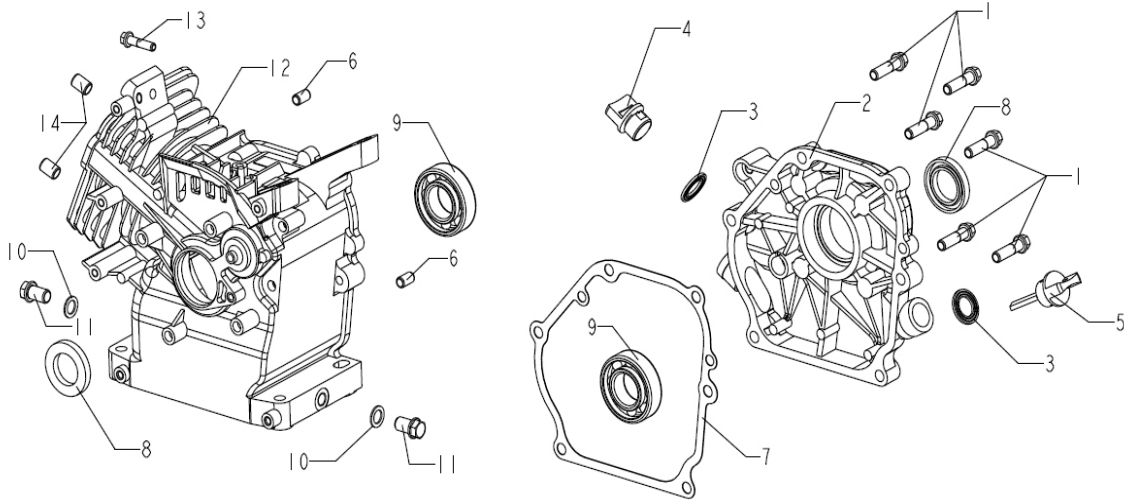




TRAIL MASTER
MINI BIKE
PARTS MANUAL

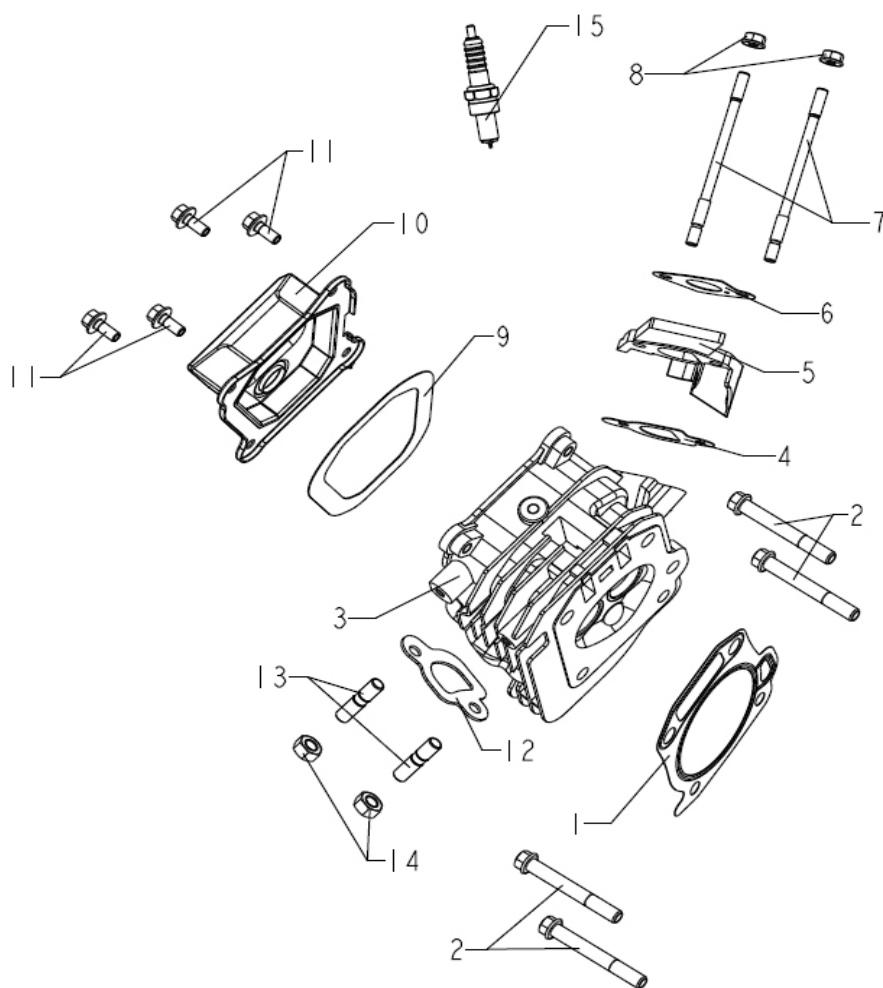
2012-10-23

En-Fig 1 CRANKCASE ASSY



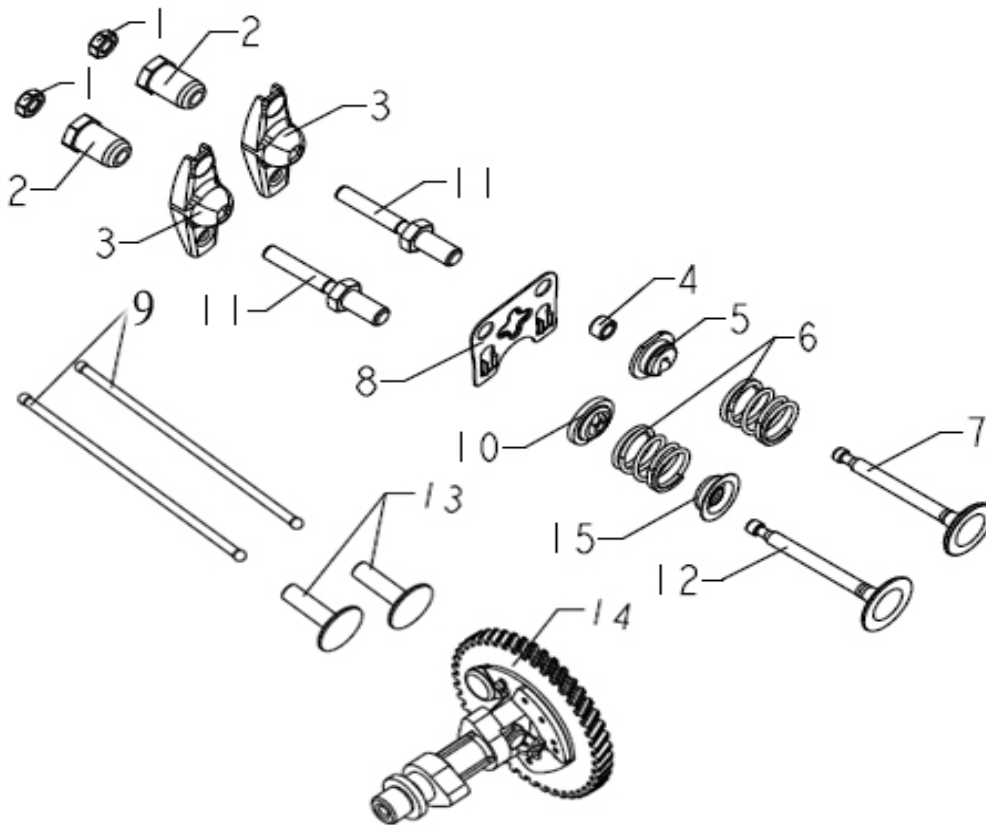
NO.	CODE	DESCRIPTION	QTY:
1	GB/T5787-1986	Bolt M8x30	6
2	QJ168QDJ.01-01	Crankcase cover	1
3	JF142F.8-5	Washer Seal	2
4	QJ168QDJ.01-04	Gauge Engine Oil	2
5	QJ168QDJ.01-03	Cover Supply Oil Mouth	1
6	157.3-8	Dowel Pin (8x14)	2
7	QJ168QDJ.01-02	Crankcase Spacer	1
8	QJ168QDJ.01.01	Oil Seal 25x41.25x6	2
9	GB/T276-1994	Bearing6025/P53	2
10	QJ166QDK.01-07	Drain Plug Spacer	2
11	QJ166QDK.01-06	Drain Plug	2
12	QJ168QDL.01.01	Crankcase ASSY.	1
13	GB/T5789-1986	Bolt M6x30	1
14	157.4-6	Dowel Pin (10x14)	2

EN-FIG 2 CYLINDER HEAD ASSY



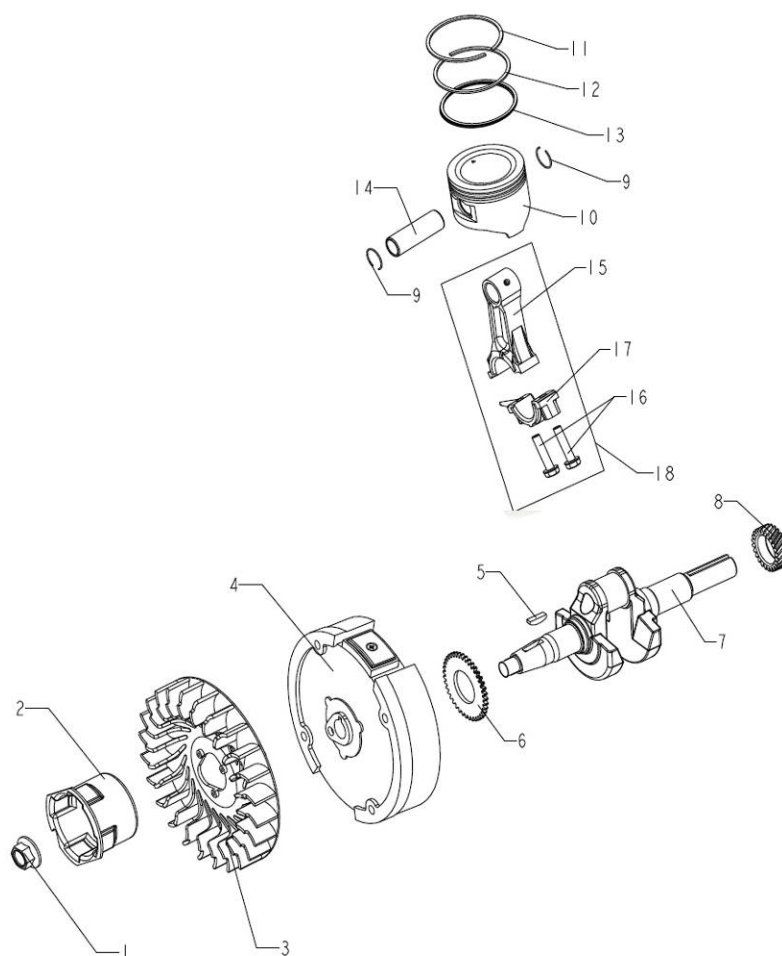
NO.	PART NO.	DESCRIPTION	QTY:
1	QJ168QDL.02-01	Cylinder Head Spacer	1
2	GB/T5787-1986	M8x60 Cylinder Head Bolt	4
3	QJ168QDL.02.01B (30730M02F0B0)	Cylinder Head	1
4	QJ168QDJ.02-04	Spacer 1	1
5	QJ168QDJ.02-02	Carburetor Heat Shield	1
6	QJ168QDJ.02-05	Spacer 2	1
7	QJ168QDJ.02-03	Intake Pipe Bolt	2
8	GB/T6177-2000	Nut M6	2
9	QJ168QDJ.02-06	Seal Spacer	1
10	JF168FJH-15.02.01	Clipboard	1
11	GB/T5789-1986	Bolt M6x14	4
12	QJ168QDJ.02-01	Exhaust Pipe Spacer	1
13	QJ168QDJ.02-07	Exhaust Pipe Bolt	2
14	GB/T6170-2000	Nut M8	2
15	QJ1E50FMG.1.2	Spark Plug (F7RTC)	1

EN-FIG 3 INTAKE EXHAUST MECHANISM ASSY



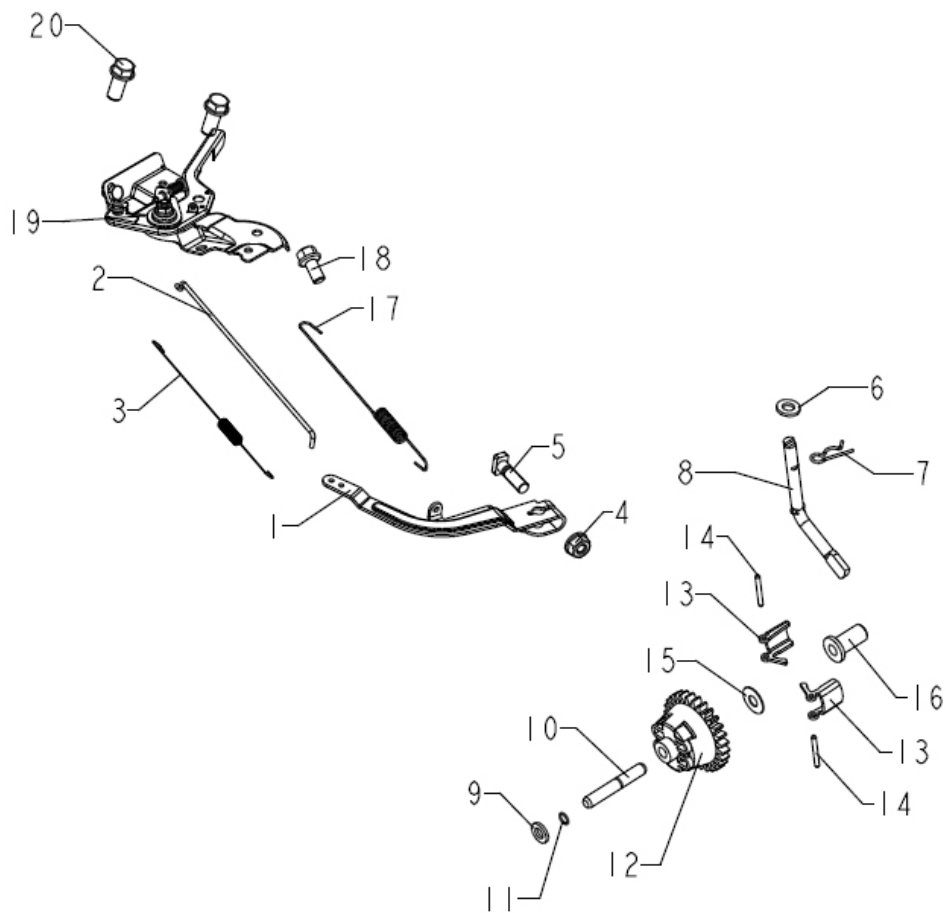
NO.	PART NO.	DESCRIPTION	QTY:
1	QJ166QDK.03-11	Valve Clearance Adjusting Nut	2
2	QJ182QDP.03-07	Arm Round Head	2
3	QJ168QDJ.03-09	Arm	2
4	J168QDJ.03-02	Exhaust Door Rod Cap	1
5	QJ168QDJ.03-10	Exhaust Door Spring Upper Seat	1
6	QJ168QDJ.03-07	Valve Spring	2
7	QJ168QDJ.03-05B	Exhaust Valve	1
8	QJ168QDJ.03.04	Connecting Stud Guide Plate	1
9	QJ168QDJ.03.02	Connecting Rod	2
10	QJ168QDJ.03-08	Intake Door Spring Upper Seat	1
11	QJ182QDP.03-04	Valve Clearance Adjusting Stud	2
12	QJ168QDJ.03-06B	Intake Valve	1
13	QJ168QDL.03-01	Connecting Stud	2
14	QJ168QDL.03.01	Camshaft	1
15	QJ168QDJ.03.03	Valve Oil Seal	1

EN-FIG 4 BRANCE FLYING WHEEL



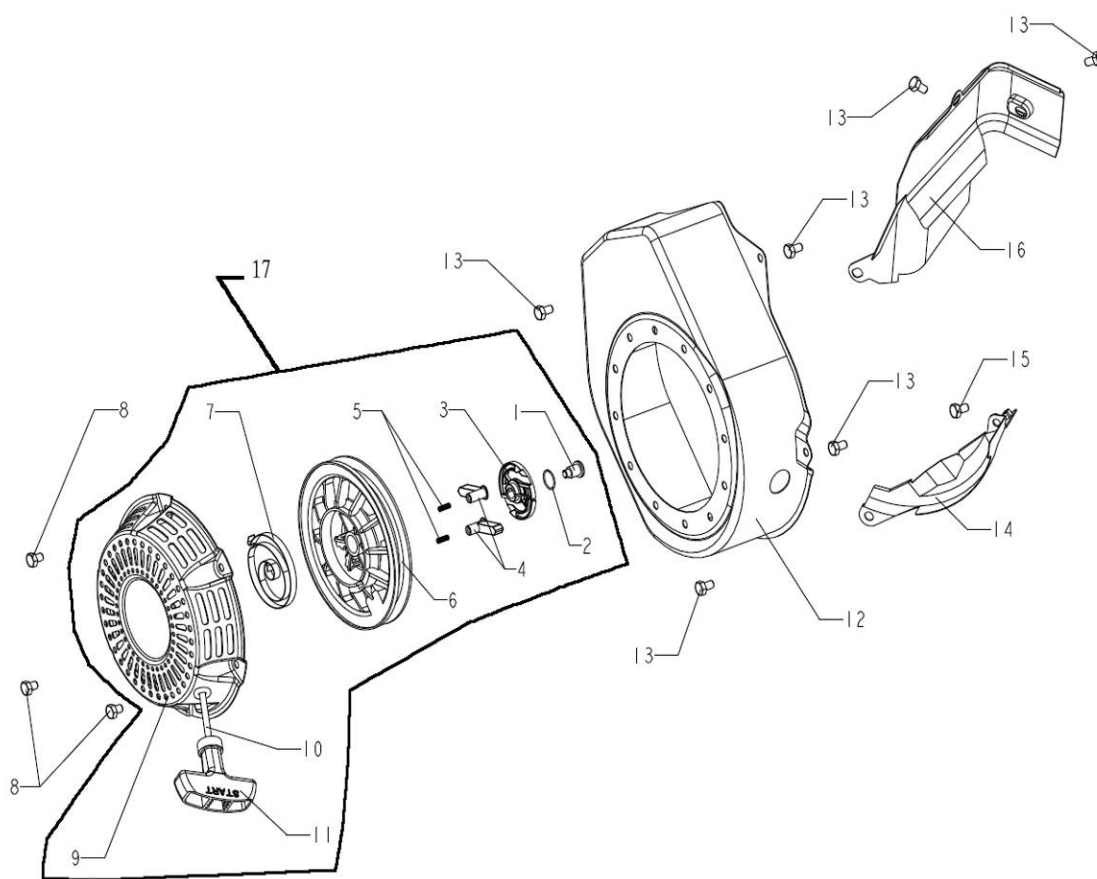
NO.	PART NO.	DESCRIPTION	QTY:
1	QJ168QDJ.04-06	Clamp Nut	1
2	QJ168QDJ.04-10	Ratchet Wheel	1
3	QJ168QDJ.04-11	Fan	1
4	JF168FJH-5.02.01.01	Flying Wheel	1
5	QJ182QDP.04-03	Key	1
6	QJ168QDJ.04-09	Adjusting Driven Gear	1
7	JF168FLH-8B.04-01	Crankshaft	1
8	QJ168QDJ.04-08	Timing Gear	1
9	QJ168QDJ.04-05	Piston Pin Circlip	2
10	QJ168QDL.04-01	Piston	1
11	QJ168QDJ.04-02	First Ring	1
12	QJ168QDJ.04-03	Second Ring	1
13	QJ168QDJ.04.01	Oil Ring ASSY.	1
14	QJ168QDJ.04-04	Piston Pin	1
15	QJ168QDJ.04.02-01	Connecting Rod	1
16	QJ166QDK.05.02-03	Connecting Rod Bolt	2
17	QJ168QDJ.04.02-02	Connecting Rod Cover	1
18	QJ168QDJ.04.02	Connecting Rod ASSY	1

En-Fig 5 CENTRIFUGAL ADJUSTMENT ASSY



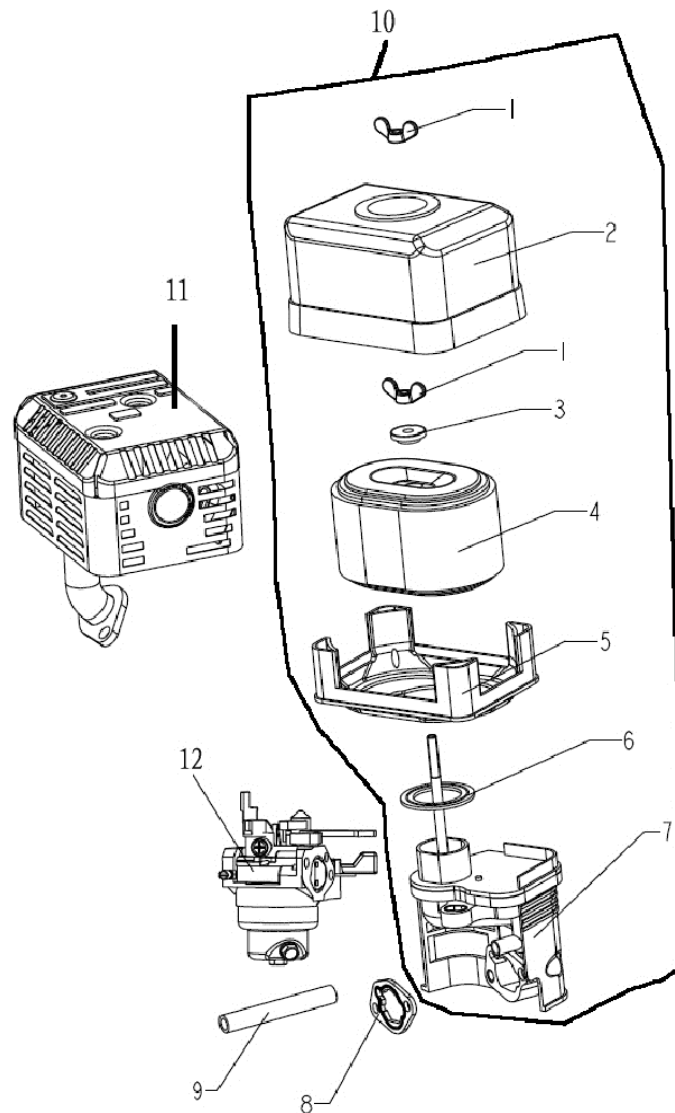
NO.	PART NO.	DESCRIPTION	QTY:
1	QJ168QDJ.05-01	Arm	1
2	QJ168QDJ.05-07	Rod Tension	1
3	QJ168QDJ.05-06	Tension Spring 2	1
4	GB/T6177-2000	Nut	1
5	QJ182QDP.06-03	Square-head Bolt	1
6	QJ168QDJ.05-09	Spacer 2	1
7	QJ182QDP.06-02	Circlip	1
8	QJ168QDJ.05-03	Fork	1
9	QJ166QDK.06-03	Spacer 1	1
10	QJ168QDJ.05-04	Pin	1
11	QJ166QDK.01-02	Circlip	1
12	QJ168QDJ.05.02-01	Centrifugal Adjustment	1
13	QJ168QDJ.05.02-03	Centrifugal Block	2
14	QJ168QDJ.05.02-02	Pin	2
15	QJ168QDJ.05-08	Spacer 3	1
16	QJ168QDJ.05-02	Push Rod Cover	1
17	JF168FJH-7.03-01	Tension Spring 1	1
18	GB/T5789-1986	Bolt	2
19	JF168FJH-7.03.01	Handle ASSY	1
20	GB/T5789-1986	Bolt	1

En-Fig 6 STARTING SET



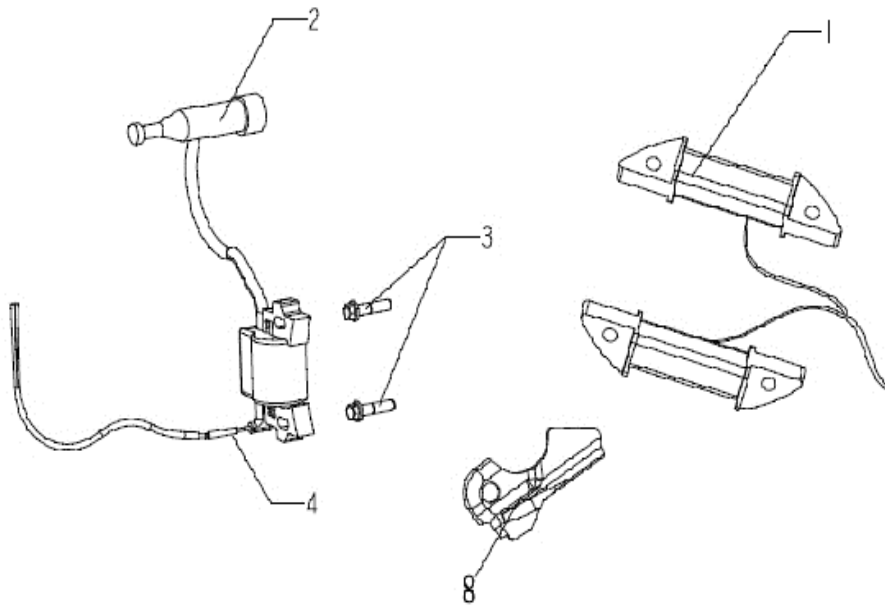
NO.	PART NO.	DESCRIPTION	QTY:
1	QJ168QDJ.06-05	Screw	1
2	QJ168QDJ.06-06	Circlip	1
3	QJ168QDJ.06-04	Plate Guide	1
4	QJ168QDJ.06-01	Block Clutch	2
5	QJ168QDJ.06-02	Pressure Spring	2
6	QJ168QDJ.06-03	Rotary Table	1
7	QJ168QDJ.06-07	Spiral Spring	1
8	GB/T5789-1986	Bolt	3
9	QJ168QDJ.06.01	Starting Cover	1
10	QJ168QDJ.06-08	Starting Rope	1
11	QJ168QDJ.06-09	Handle	1
12	JF168FJH-5.03.02.01	Cowling	1
13	GB/T5789-1986	Bolt	6
14	JF168FJH-5.03.01.01	Plate 1	1
15	GB/T5789-1986	Bolt	1
16	QJ168QDJ.06.02-01	Plate 2	1
17	JF168FLH-M.06	Start pulling plate sets	1

En-Fig 7 AIR CLEANER ASSY



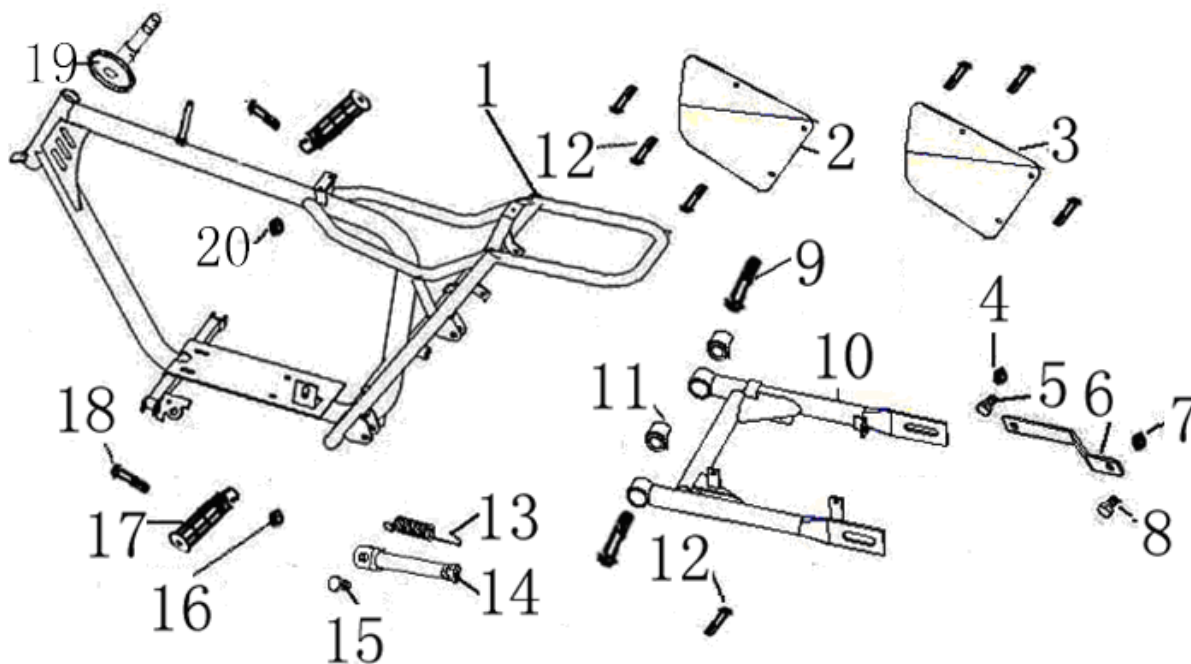
NO.	PART NO.	DESCRIPTION	QTY:
1	GB62-88	Nut	2
2	QJ168QDJ.07-04B	Filtering Cover	1
3	ZJ168FJH.07.01.01-02	Seal	1
4	ZJ168FJH.07.01.01	Filtering Core	1
5	ZJ168FJH.07.01-02	Filtering Bracket	1
6	ZJ168FJH.07.01-03	Seal	1
7	QJ168QDJ.07.01	Upper Body Cover	1
8	QJ168QDJ.07.03	Air Cleaner Seal	1
9	QJ168QDJ.07-01	Colloid Pipe	1
10	QJ168QDJ.07B	Air Cleaner ASSY.	1
11	QJ168QDL.05	Muffler ASSY.	1
12	JF168QDL.06B (32500M02FB00)	Carburetor ASSY.	1

En-Fig 8 IGNITION SWITCH ASSY.



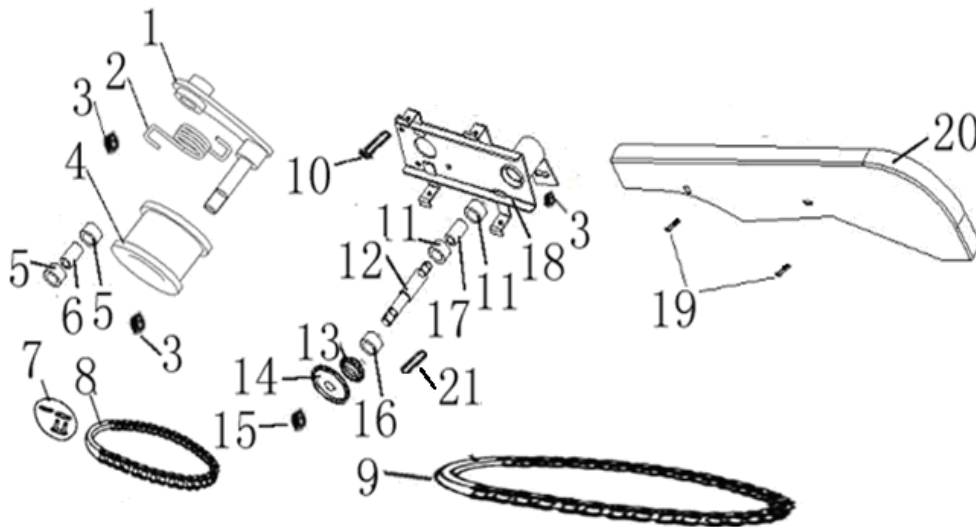
NO.	PART NO.	DESCRIPTION	QTY:
1	JF168FLH-8B.06.01	Stator COMP.	1
2	QJ168QDJ.11.03C	Ignition Coil ASSY.	1
3	GB/T5789-1986	Bolt M6x25	2
4	JF168FJH-8B.06.02	Connecting Wire ASSY.	1
8	JF168FJH-5.01-01	Wire Fixed Board	1

FIG. 1 FRAME GROUP



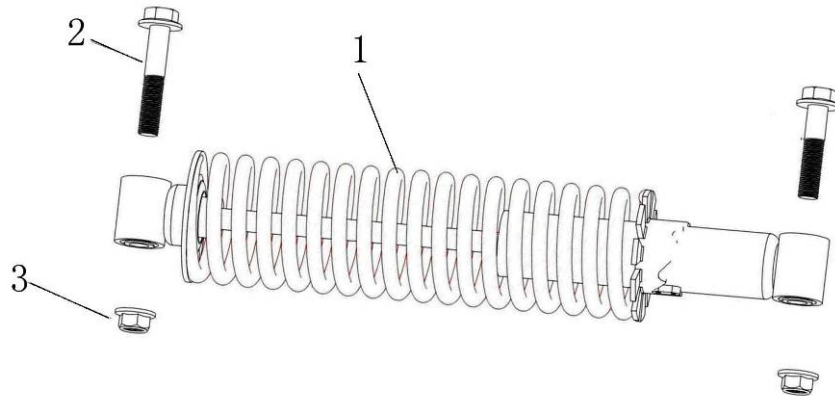
NO.	CODE	DESCRIPTION	QTY.
1	57100-PL	FRAME BODY COMP.	1
2	58001-PL	DUMMY PLATE. L	1
3	58002-PL	DUMMY PLATE. R	1
4	618710000125	LOCKING NUT M10x1.25	3
5	578910020125	FLANGE BOLT M10x1.25x20	1
6	58004-L	RR. BRAKE CONNECTING ROD	1
7	618708000125	LOCKING NUT M8x1.25	1
8	58007-L	STEPS BLOT M8 (RR. BRAKE CONNECTING ROD)	1
9	578910060125	FLANGE BOLT M10x1.25x60	2
10	58210-PL	REAR SWING ARM	1
11	7.020.077	SHOCK ABSORBING BUSHING φ10xφ30x30/35	2
12	578906016125	FLANGE BOLT M8x1.25x16	6
13	58401-L	SIDE STAND SPRING	1
14	58410--PL	SIDE STAND	1
15	58402-L	SIDE STAND BOLT	1
16	618706000000	LOCKING NUT M6	2
17	58510-L	PEDAL	2
18	578906035100	FLANGE BOLT M6x35	2
19	58310-PL	DUMMY FUEL TANK BRACKET	1
20	617008000125	NUT M8	1

FIG. 2 DRIVING ASSY



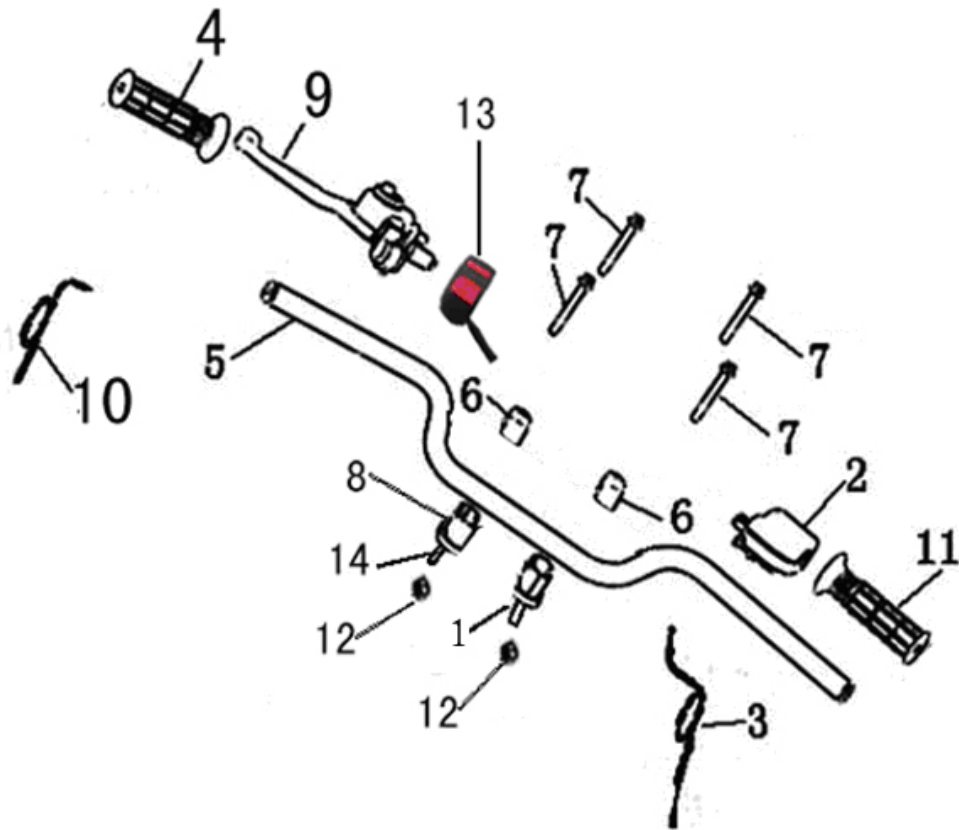
NO.	CODE	DESCRIPTION	QTY.
1	58210-L	TIGHT WHEEL BRACKET	1
2	58214-L	TENSION SPRING	1
3	618708020125	LOCKING NUT M8	4
4	58006-XL	TIGHT WHEEL	1
5	608RZ	BEARING 608RZ	2
6	58005-1	BUSHING 14x9-10.5	1
7	420-10	420 CHAIN MASTER LINK	2
8	420-42	DRIVE CHAIN 420-42	1
9	420-100	DRIVE CHAIN 420-100	1
10	578908016125	FLANGE BOLT M8x1.25x16	5
11	6003-2RS	BEARING 6003-2RS	2
12	10101-L	TRANSITIONAL SHAFT	1
13	10103-L-420	OUTPUT GEAR-10T-420	1
14	10102-L	OUTPUT GEAR-20T-420	1
15	618716000150	LOCKING NUT M16x1.5	1
16	58209-ZL	BUSHING 25x17.2-12	1
17	58202-L	TRANSITIONAL SHAFT BEARING BUSHING 22x17.2-43	1
18	58200-L	TRANSITIONAL SHAFT BRACKET	1
19	578906012100	FLANGE BOLT M6x12	2
20	58003-PL	CHAIN COVER	1
21	58209-PL	KEY 5x5-25	1

FIG.3 REAR SHOCK ASSY.



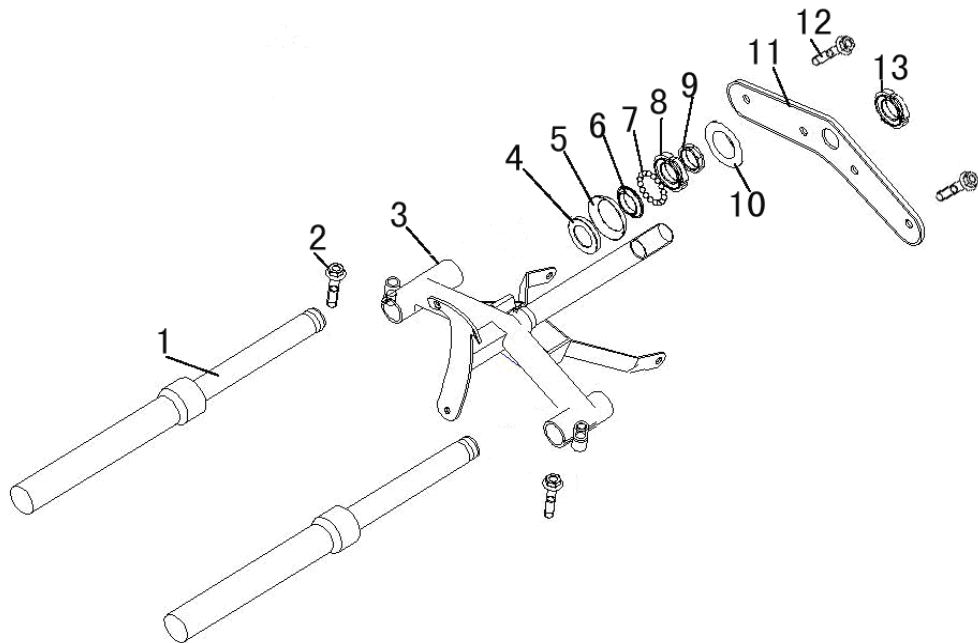
NO.	CODE	DESCRIPTION	QTY.
1	63100-PL	SHOCK ABSORBER ASSY. RR	2
2	578710040125	FLANGE BOLT M10x1.25x40	4
3	618710000125	LOCKING NUT M10x1.25	4

FIG.4 HANDLEBAR ASSY.



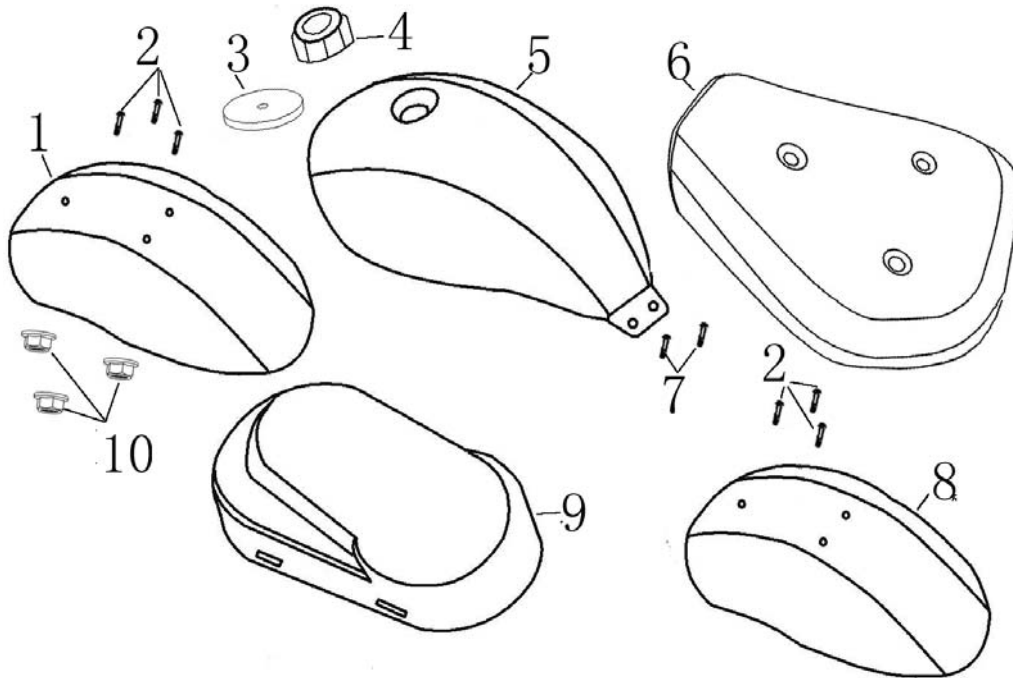
NO.	CODE	DESCRIPTION	QTY.
1	578108030125	BOLT M10x27x1.25	2
2	40510-L	THROTTLE BRAK CET COMP.	1
3	60120-L	THROTTLE CABLE COMP.	1
4	58193-N	GRIP L.	1
5	40101-L	HANDLEBAR	1
6	43014-L	HANDLEBAR UPPER FIXED SEAT	2
7	578708030125	FLANGE BOLT M8x30	4
8	43015-L	HANDLEBAR LOWER FIXED SEAT	2
9	40090-L	BRAKE LEVER	1
10	40270-L	BRAKE CABLE	1
11	40520-L	GRIP R.	1
12	618710000125	LOCKING NUT M10x1.25	2
13	40600-L	ENGINE STOP BUTTON	1

FIG.5 FRONT FORK ASSY



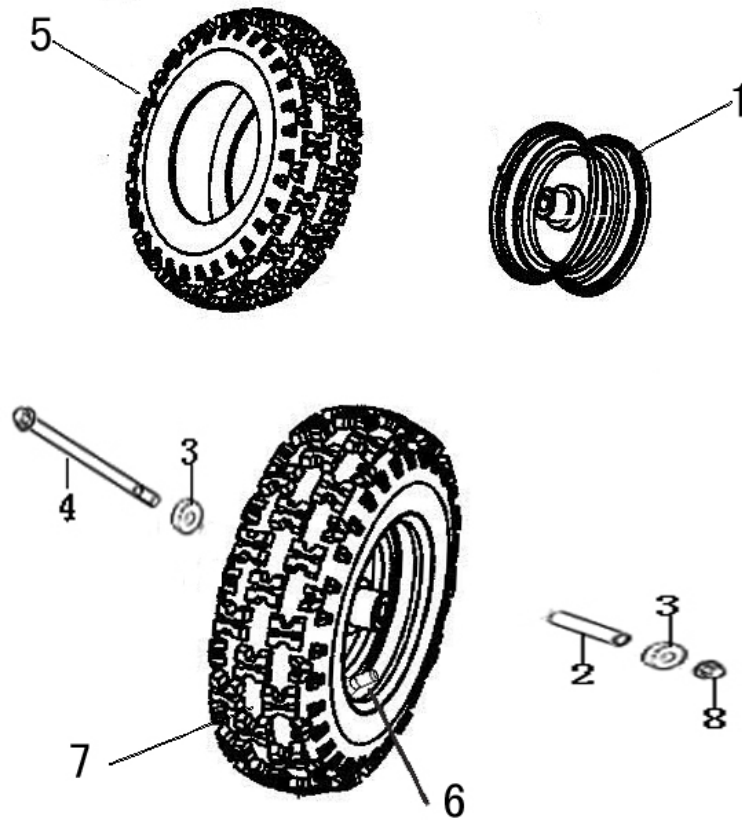
NO.	CODE	DESCRIPTION	QTY.
1	40320-PL	SHOCK ABSORBER ASSY. FR	2
2	578710035125	FLANGE BOLT M10x1.25x35	2
3	43100-PL	FRONT FORK WELDING COMP.	1
4	43004-L	LOWER BEARING STEEL BOWL	1
5	43003-L	LOWER BEARING PROCURED BOWL	1
6	43002-L	UPPER BEARING STEEL BOWL	1
7	43005-L	BALL BEARING	2
8	43001-L	UPPER BEARING PROCURED BOWL	1
9	43008-L	FRONT FORK BOLT M25x1	1
10	58001-L	STEERING SHAFT WASHER	1
11	43102-L	CONNECTING PLATE	4
12	43021-PL	FLANGE BOLT M12x1.25x12	2
13	43008-L	FRONT FORK BOLT M25x1	1

FIG.6 COVER, SEAT



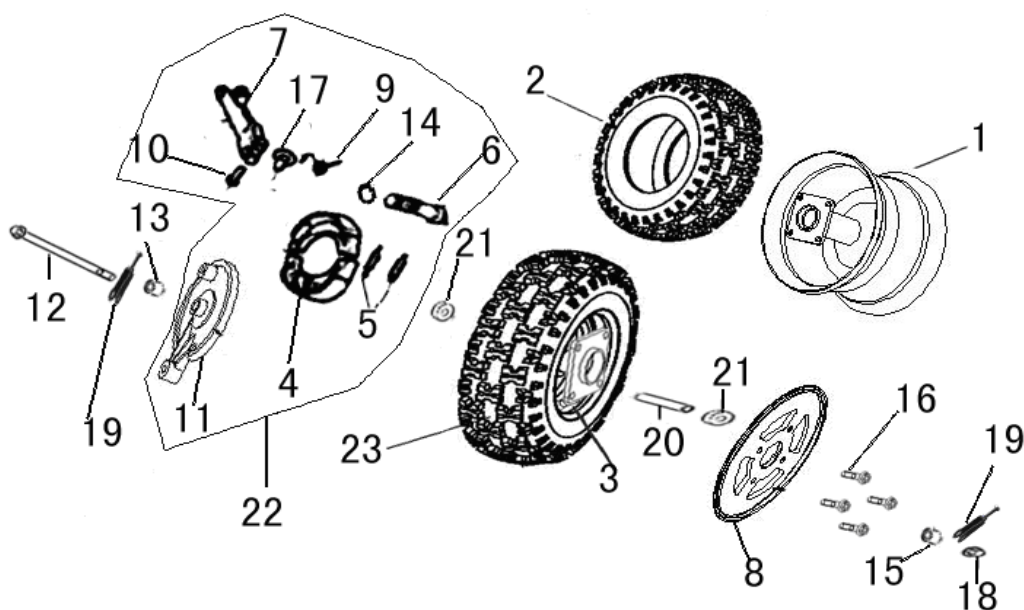
NO.	CODE	DESCRIPTION	QTY.
1	65001-PL	FRONT FENDER (PLASTIC)	1
1	65001-PLA	FRONT FENDER (METAL)	1
2	578906016100	FLANGE BOLT M6x16	6
3	65005-PL	DUMMY FUEL TANK CAP WASHER	1
4	65002-PL	DUMMY FUEL TANK CAP	1
5	65003-PL	DUMMY FUEL TANK	1
6	51000-PL	SEAT COMP.	1
7	578706012100	FLANGE BOLT M6x12	2
8	65001-PL	REAR FENDER (PLASTIC)	1
8	65004-PLA	REAR FENDER (METAL)	1
9	65008-L	CLUTCH COVER	1
10	617706000100	FLANGE NUT M6	7

FIG.7 FRONT WHEEL



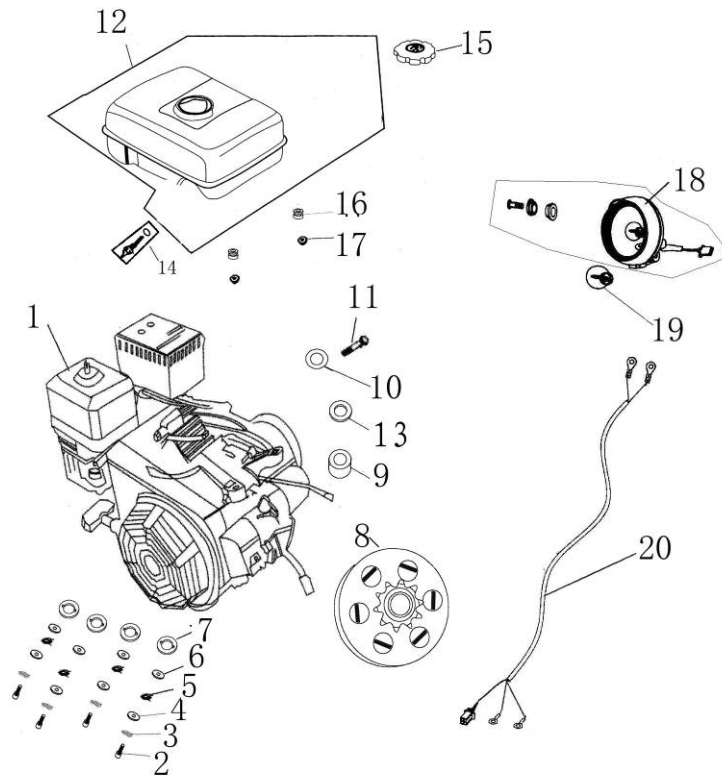
NO.	CODE	DESCRIPTION	QTY.
1	44110-L	FRONT RIM	1
2	44002-L	FRONT SPACER BUSHING	1
3	6202-2RS	BEARING 6202-2RS	2
4	44001-L	FRONT AXLE M14x1.5x310	1
5	44003-L	FRONT TIRE 19x7-8	1
6	44010-L	AIR VALVE	1
7	44100-L	FRONT WHEEL ASSY	1
8	618714000150	LOCKING NUT M14x1.5	1

FIG.8 REAR WHEEL



NO.	CODE	DESCRIPTION	QTY.
1	54110-L	REAR RIM	1
2	44003-L	REAR TIRE 19x7-8	1
3	44010-L	AIR VALVE	1
4	54210-L	BRAKE CALIPER PAD SET	1
5	54002-L	BRAKE CALIPER PAD SET TENSION SPRING	2
6	54003-L	REAR BRAKE CAMSHAFT	1
7	54007-L	REAR BRAKE ARM	1
8	54006-L	GEAR-38T-420	1
9	54008-L	REAR BRAKE RETURN SPRING	1
10	08012-L	REAR BRAKE ARM ERECTION BOLT M6x35	1
11	54220-L	REAR BRAKE HUB CAP	1
12	54001-L	REAR AXLE M14x1.5-330	1
13	54004-PL	REAR WHEEL SPACER BUSHING R Φ 22x Φ 16-47	1
14	54021-L	O-RING	1
15	54006-PL	REAR WHEEL SPACER BUSHING L Φ 22x Φ 16-36	1
16	578908025125	FLANGE BOLT M8x25	4
17	54009-L	REAR BRAKE ARM INDICATOR	1
18	618708000150	LOCKING NUT M14x1.5	1
19	54030-L	CHAIN ADJUSTER COMP.	2
20	54011-L	REAR WHEEL BEARING SPACER BUSHING	1
21	6202-2RS	BEARING 6202-2RS	2
22	54200-L	REAR DRUM BRAKE COMP.	1
23	54100-L	REAR WHEEL ASSY.	1


FIG.9 ENGINE



NO.	CODE	DESCRIPTION	QTY.
1	10000-L	ENGINE COMP. JF168FLH-7D	1
2	578708045125	FLANGE BOLT M8x45	4
3	930008000000	LOCKING WASHER $\phi 8$	4
4	970008000000	FLAT WASHER $\phi 8$	4
5	618708000125	LOCKING NUT M8	4
6	10011-L	ENGINE CUSHION	4
7	8.020.013	GK150 CON'ROD SPACER	4
8	14-1102-00-L	CLUTCH ASSY.	1
9	10011-80	CLUTCH NECK BUSHING $\phi 20 \times \phi 30 \times 12.5$	1
10	960008000000	CLUTCH WASHER $\phi 8$ (GB96)	1
11	578708020125	FLANGE BOLT M8x20	1
12	50100-L	FUEL TANK COMP.	1
13	58002-50A	CLUTCH BUSHING $\phi 20 \times \phi 28 \times 3.5$	1
14	JF168-N-08	FUEL TANK SWITCH	1
15	6.000.145-250	FUEL TANK CAP	1
16	50001-80	FUEL TANK CUSHION $\Phi 10 \times \Phi 22 \times 4$	2
17	617706000100	FLANGE NUT M6	2
18	81100-L	HEADLIGHT COMP	1
19	81101-L	HEADLIGHT BULB	1
20	80025-L	CABLE	1

FIG.10 WARNING STICKERS

Warning Labels


1  **WARNING**

Check the following before operating.

1. Engine oil level.
2. Lubricate and adjust drive chain if necessary.
3. Clean and Lubricate clutch.
4. Insure all Guards are in place.

2  **WARNING**

THIS VEHICLE IS AN OFF-ROAD VEHICLE AND IS NOT INTENDED FOR USE ON PUBLIC ROADS/HIGHWAYS

3  **WARNING**


This Mini Bike can cause serious injury or death if the warnings and instructions in the owner's manual and on warning labels are not followed.

Never Operate this Mini Bike:

- if operator is under the age of 13
- at speeds too fast for your skills or the conditions.
- on public roads, a collision can occur with another vehicle.
- carrying a passenger, a passenger can affect balance and control.
- while under the influence of alcohol or drugs
- with long hair or loose clothing unconstrained. Long hair and loose clothing can get caught in moving parts of the mini bike and cause serious injury or death.
- operate this mini bike in an unsafe manner by attempting stunts, jumps or wheelies. This could lead to severe injury or death.

Always:

- supervise children, ages 13-16.
- wear a DOT certified helmet, eye protection, gloves, over the ankle boots, long sleeve shirt and long pants.
- avoid paved surfaces, paved surfaces can adversely affect handling and control.
- keep hands and feet away from all moving parts.
- Check the throttle to ensure it works properly and "snaps back" prior to starting the mini bike.
- be seated before attempting to start the mini bike.

4  **WARNING**

Check the tires before operating to insure the proper tire pressure. Improperly inflated tires can lead to loss of control which could result in injury or death.

Cold tire pressure:
 Front: 10psi ± .5psi (69 ± 3.5kpa)
 Rear: 10psi ± .5psi (69 ± 3.5kpa)

Maximum weight capacity is 200 lbs. (91 kg)

5  **WARNING**



Keep hands and fingers away from chains and sprockets. Make sure guards are securely in place before operation.

6  **WARNING**



HOT SURFACES
 Allow to cool before refueling

NO.	CODE	DESCRIPTION	QTY.
1	90002-50L	LABEL.WARNING 1	1
2	90007-50L	LABEL.WARNING 2	1
3	90001-50L	LABEL.WARNING 3	1
4	90006-50L	LABEL.WARNING 4	1
5	90004-50L	LABEL.WARNING 5	1
6	90003-50L	LABEL.WARNING 6	1