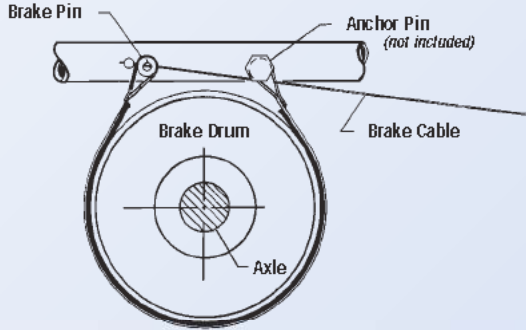


AZUSA 4" & 4-1/2" BAND BRAKES

Our Band Brakes are simple, effective and economical for a variety of light duty small vehicles. They were designed to work with our 4" and 4-1/2" Drums, but will work well with any drum ranging in size from 3-7/8" through 4-5/8" O.D. Brake Pin included.



- Steel Bands*
- 2 Piece Bonded Brake Lining*
- Steel Brake Pin with Cable Hole*
- Welded End/Mounting Brackets*
- Economical*



DESCRIPTION - 4-1/2"	PART
Band Brake for 4-1/2" Drum + Pin - Skin-Packed	2255
Band Brake for 4-1/2" Drum + Pin - Bulk	2255-B
Brake Pin (Replacement)	2254

DESCRIPTION - 4"	PART
Band Brake for 4" Drum + Pin - Skin-Packed	2251
Band Brake for 4" Drum + Pin - Bulk	2251-B
Brake Pin (Replacement)	2254

4-1/2" BRAKE DRUM

Flanged drum has 6 holes on a 5-1/4" bolt circle. All drums have three sets of mounting holes: 3 and 4 hole on a 3.75" bolt circle and a 4 hole on a 3.228" bolt circle.



Machined OD for Band Brake Use

DESCRIPTION	PART
Drum, 4-1/2", Machined OD, No Flange	2211-OD
Drum, 4-1/2", Machined OD, With Flange	2213-OD

4" BRAKE DRUM



- For Use with 4" Band Brake*
- 2.875" Bolt Circle*
- 4 Holes - 5/16" & 3/8"*

DESCRIPTION	PART
Brake Drum, 4", No Flange	2541