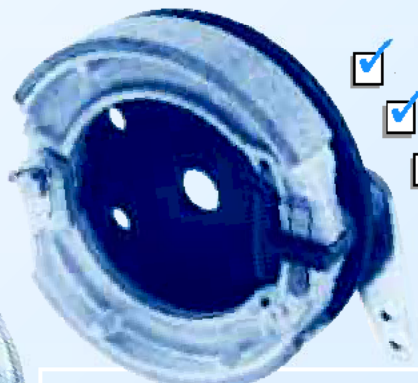


5" & 6" BRAKES and Accessories

5" BRAKE DRUM



5" Brake Drum w/o Flange (3-1/4" Bolt Circle) 2542



Azusa 5" Brake Assembly 2530

5" INTERNAL EXPANDING BRAKE

- Black Anodized Aluminum Backing Plate
- Sturdy Arm Allows For 3 Positions
- Only 16 Ounces Total Weight
- Bonded Brake Shoes

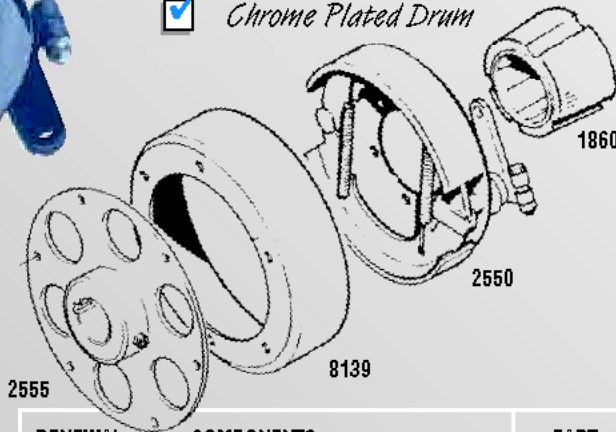
With a 5/8" bore and only 1-3/8" wide, this sturdy, lightweight, economical 5" internal expanding brake may be just the unit for your small vehicle.

5" BRAKE ASSEMBLY COMPONENTS	PART
Backing Plate	2532
Actuating Cam	2533
Brake Arm	2537
Lined Shoes, Pair	2538
Spring	2539
Cotter Pin	8418
Lockwasher 5/16	8302
Locknut 5/16-18	8510

6" INTERNAL EXPANDING BRAKE



- Adjustable Actuator Arm
- Premium Bonded Linings
- Machined Braking Surface
- Chrome Plated Drum



COMPLETE HUB & BRAKE KITS	PART
6" Brake, Plated Drum, Mounted Uni-Hub - 1" ID Bore with 1/4" Keyway	2551
As above plus Spacer & Hardware	2552
KIT COMPONENTS	PART
6" Brake Assembly, Less Drum	2550
Uni-Hub (1" ID with 1/4" Keyway)	2555
Drums - 4-9/16" Bore:	
• Unplated	8138
• Plated	8139
• Unplated with Riveted Uni-Hub	8149
• Plated with Riveted Uni-Hub	8142

RENEWAL COMPONENTS	PART
Brake Shoes with Bonded Lining, Bulk, Pair	8100
Brake Shoes with Bonded Lining, Packaged, Pair	8101
Spring - Short (2 required)	8455
Spring - Long (2 required)	8456
Arm Assembly Kit with Fasteners	8147
Cam Assembly	8148

BONDED SHOES FOR 6" AZUSA BRAKE

- Economical Replacement for Worn Components

DESCRIPTION	PART
Pair, Bulk	8100
Pair, Skin-Packed	8101



SPACER - BRAKE TO HANGER

This die-cast spacer secures the 6" brake accurately to the frame hanger. It is designed to adapt to either the two or three hole flangettes. (Use #8465 Bolts and #8510 Locknuts)



(order Bolts & Locknuts separately)

DESCRIPTION	PART
Spacer - Brake to Hanger (w/o hardware)	1860