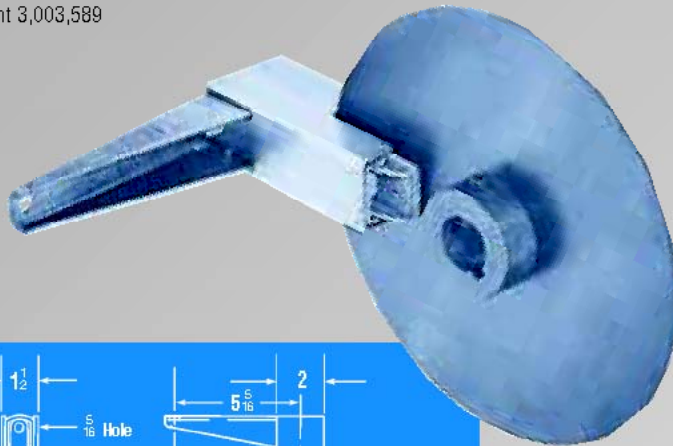


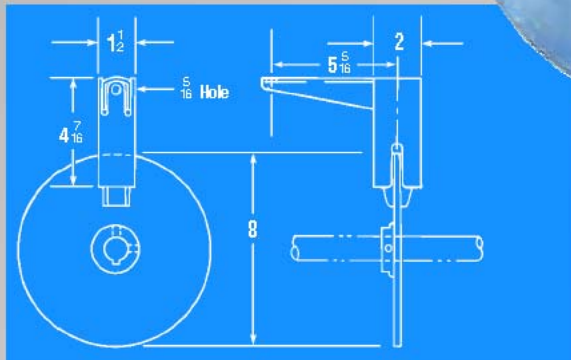


AZUSA "POSI STOP" MECHANICAL DISC BRAKE

U.S. patent 3,003,589



- 1" Axle Bore With 1/4" Keyway
- Dual Pads of Bonded Lining
- Self Aligning to Disc
- All Self-Contained



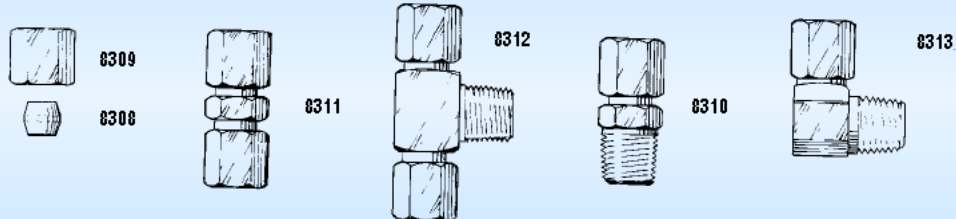
1822



1823

DESCRIPTION	PART
Brake Assembly without Disc	1822
Disc Only, 8" Diameter, 1" Bore	1823
Replacement Shoes with Lining (2 required)	8118

BRASS FITTINGS FOR HYDRAULIC BRAKES



DESCRIPTION	PART
Compression Ferrule, 3/16"	8308
Compression Nut, 3/16"	8309
Connector, 3/16" tube to 1/8" tube N.P.T.	8310

DESCRIPTION	PART
Full Union, 3/16" tube to 3/16" tube N.P.T.	8311
Male Run Tee, 3/16" tube to 1/8" N.P.T.	8312
Male Adapter Elbow, 3/16" tube to 1/8" N.P.T.	8313

BRASS HYDRAULIC FITTINGS KIT

Assortment consisting of the most needed replacement fittings: (4) 3/16 compression ferrules, (2) 3/16 compression nuts, a 90° adaptor elbow and a straight connector. See above for individual part numbers.



Brass Fittings Kit 2253

NYLON HYDRAULIC BRAKE LINE

Super tough, 2,500 psi nylon pressure tubing, resists abrasion like steel. Replaces standard hydraulic line on all recreational vehicles.



It is also great for throttle cable housing, and the price is right! 3/16" O.D. 10 ft. minimum per order.

Pressure Tubing, 3/16 Nylon, per ft. 8307

[Click For Index](#)