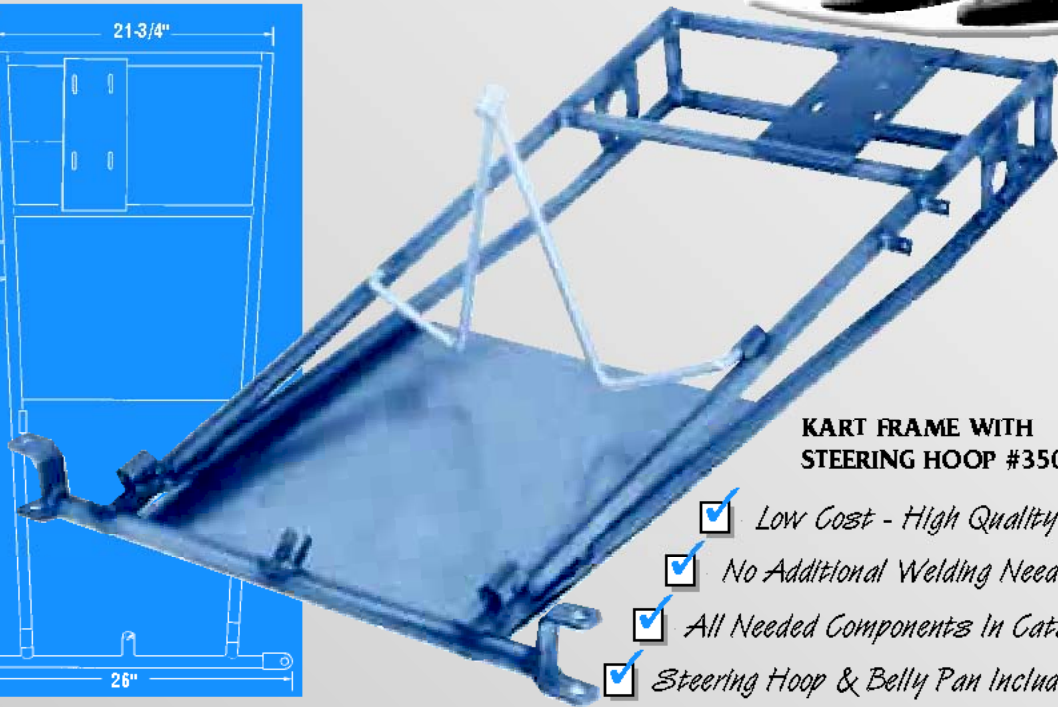
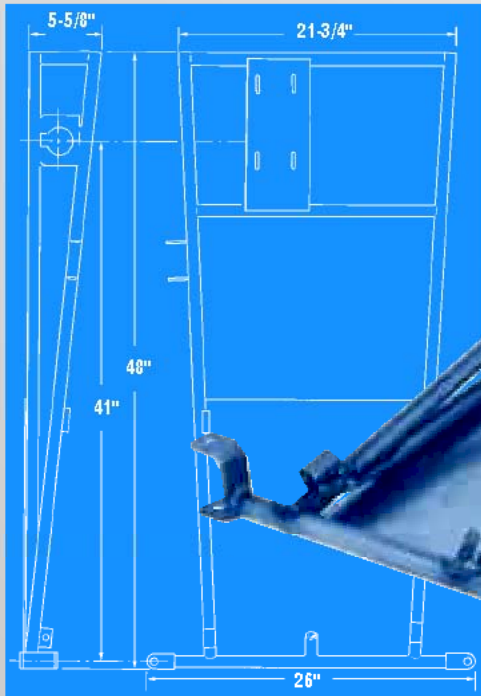




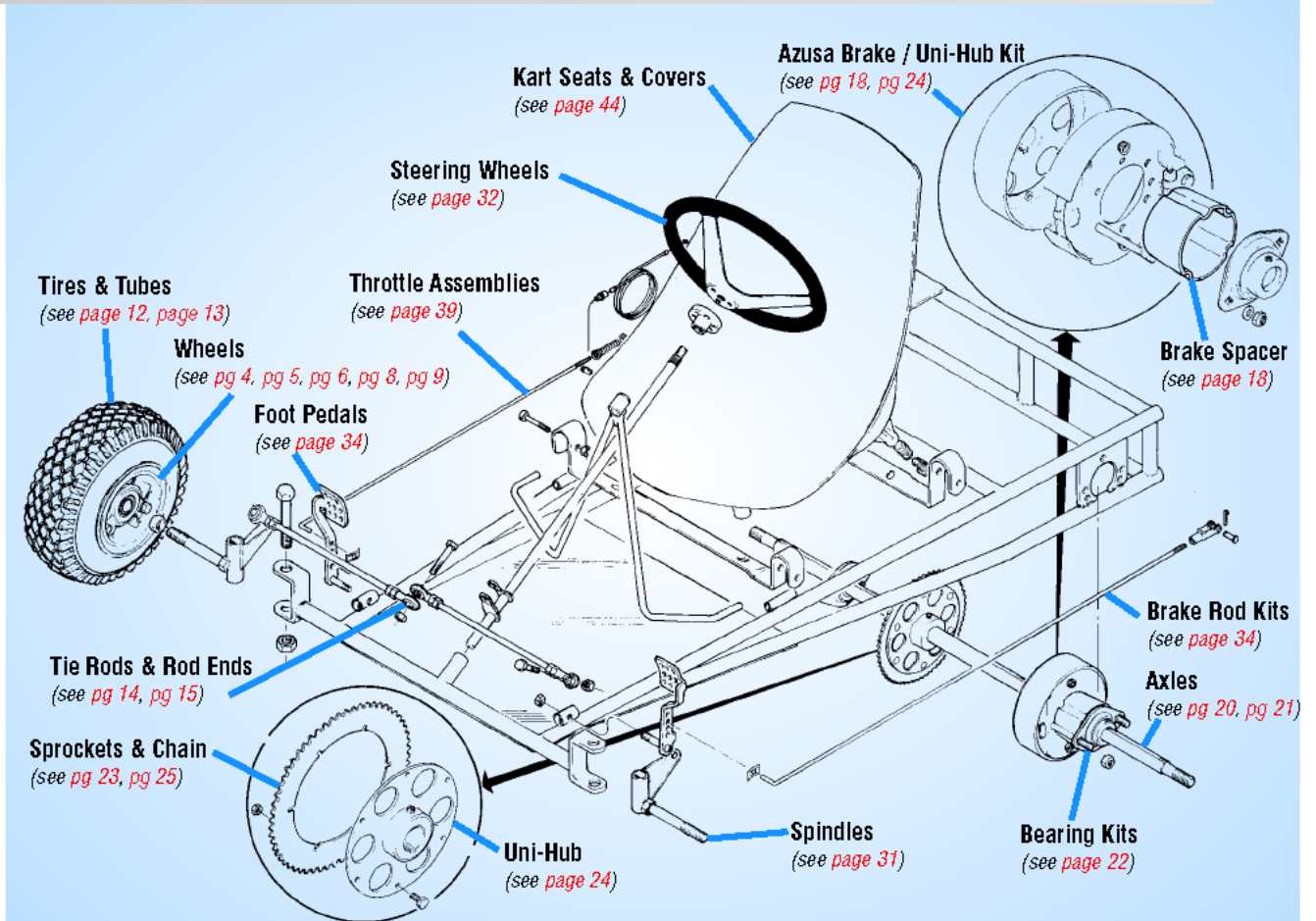
KART FRAME

This sturdy, double tube construction, high quality unit is jig-welded and made of 1" OD x .083" wall steel tubing. Comes complete with steering hoop assembly, engine mounting plate, spindle brackets, steering shaft bushing, pedal bushings, live-axle bearing hangers and control rod anchors. Well designed and rugged, the frame weighs just 31 lbs.



KART FRAME WITH STEERING HOOP #3502

- Low Cost - High Quality
- No Additional Welding Needed
- All Needed Components In Catalog
- Steering Hoop & Belly Pan Included



ILLUSTRATED KART PARTS LOCATOR

[Click For Index](#)