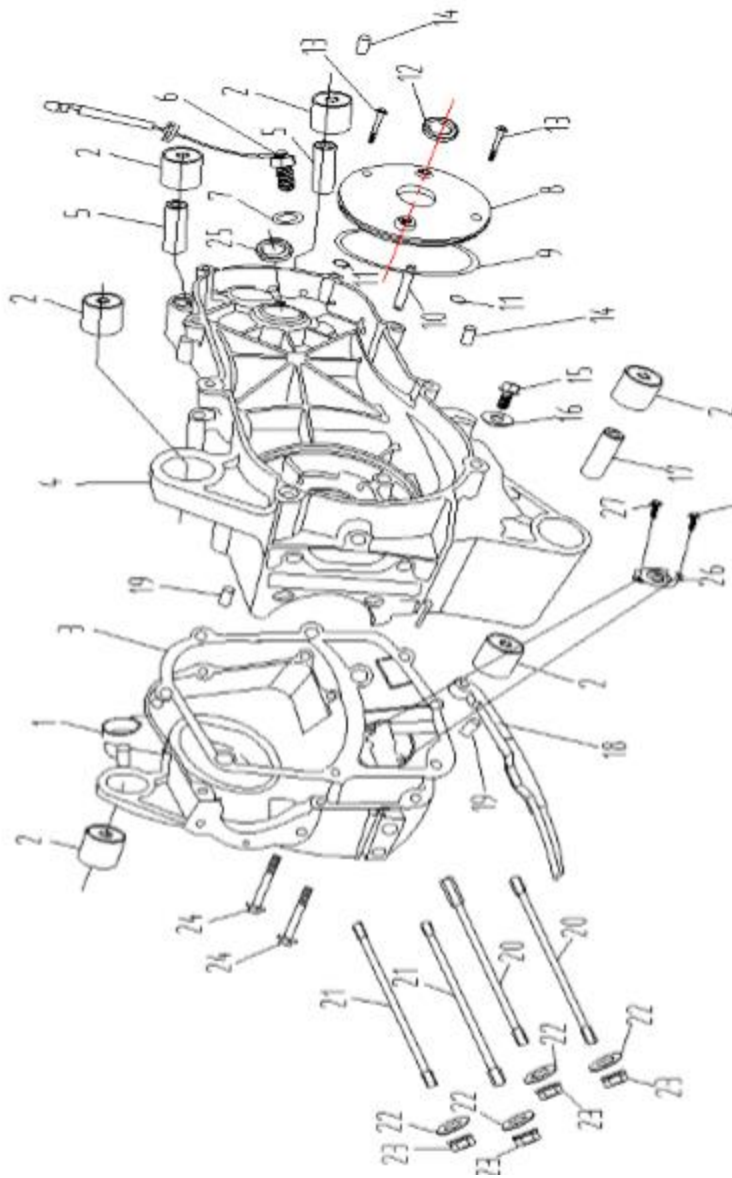


# GY6 150 ENGINE

Shop Manual | Parts

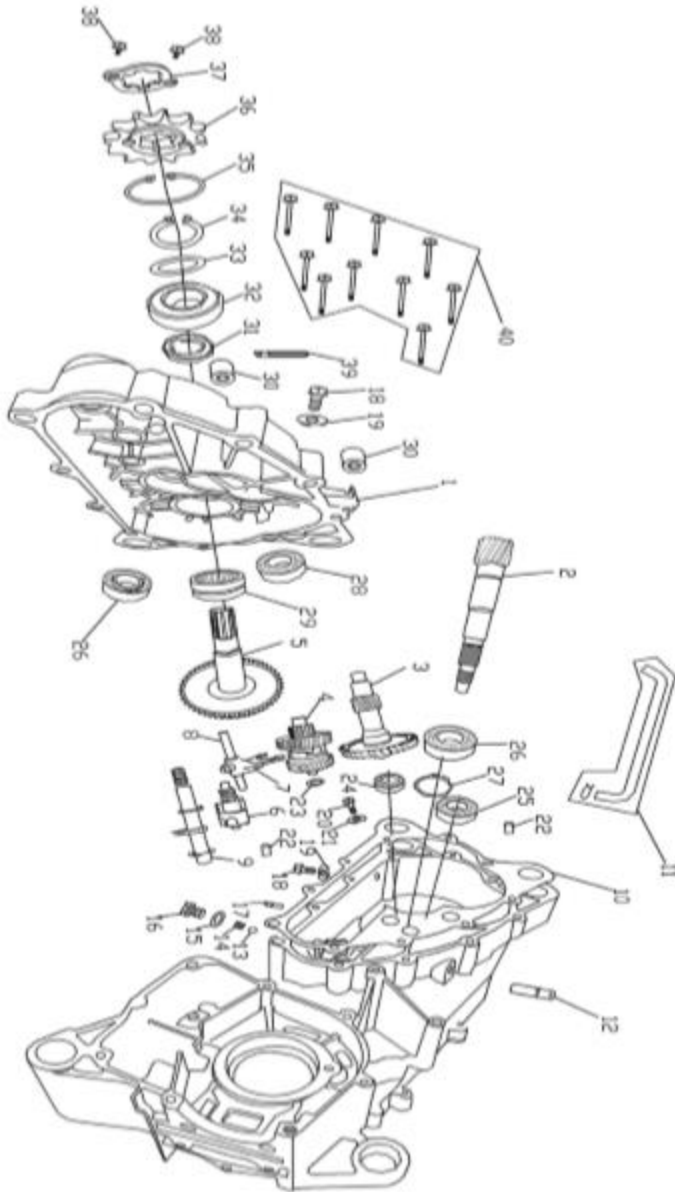


**FIG1. ENGINE CASE . COMP**



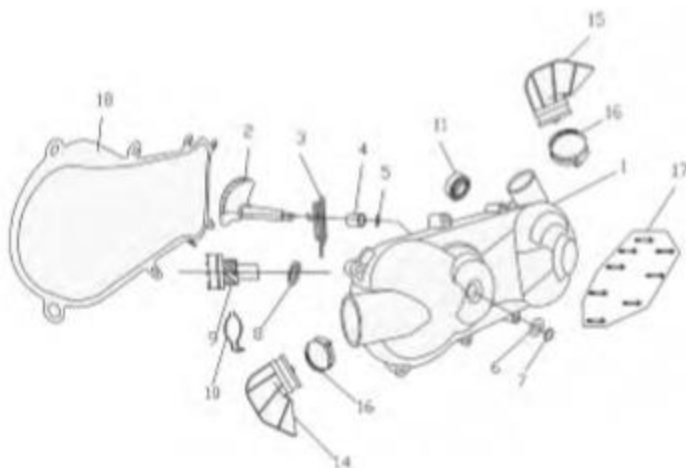
ENGINE CASE COMP.			
REF NO.	PART NO.	DESCRIPTION	QTY
1-1	157.03.002	RIGHT CASE BODY	1
1-2	157F.12.114	DAMPING BUSHING	4
1-3	152.12.301	CRANKCASE GASKET	1
1-4	157F.03.001	LEFT CRANKCASE BODY	1
1-5	157F.11.522	COLLAR	2
1-6	157F.10.470	NEUTRAL POSITION LAMP ASSY.	1
1-7	157F.11.405	WASHER 10.2X18X1.3	1
1-8	157F.03.006	SMALL LEFT COVER	1
1-9	157F.12.107	O-RING 108X2	1
1-10	157F.02.603	PIN	1
1-11	157F.12.115	O-RING 6X1.8	2
1-12	152.12.101	OIL SEAL 19.8X30X5	1
1-13	GB/T16674 M6X18	BOLT M6X18	12
1-14	157F.11.517	DOWEL PIN 10X14	2
1-15	152.11.205	DRAIN PLUG M12X1.5	1
1-16	GB97.1 12	WASHER 12	1
1-17	157F.11.521	COLLAR	1
1-18	152.02.601	CHAIN PULL ROD	1
1-19	152.11.515	DOWEL PIN 8X14	2
1-20	152.11.204	DOUBLE-END BOLT M8X195.5	2
1-21	152.11.203	DOUBLE-END BOLT M8X187.5	2
1-22	GB97.2 8	WASHER 8	4
1-23	GB6177 M8	NUT M8	4
1-24	GB/T16674 M6X50	BOLT M6X50	2
1-25	152.12.102	OIL SEAL 20X32X6	1
1-26	152.09.001	ENGINE OIL CLAPBOARD	1
1-27	GB/T16674 M6X12	BOLT M6X12	2

**FIG. 2 DRIVING GEAR COMP.**



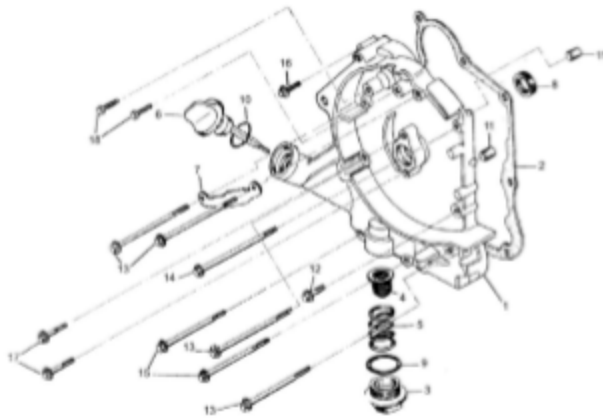
DRIVING GEAR COMP.			
REF NO.	PART NO.	DESCRIPTION	QTY
2-1	157F.03.005	GEAR BOX COVER	1
2-2	157F.10.401	DRIVE SHAFT	1
2-3	157F.10.411	REVERSE SHAFT ASSY.	1
2-4	157F.10.420-SSA	SHIFTING SHAFT ASSY.	1
2-5	157F.10.402	OUTPUT SHAFT	1
2-6	157F.10.420-SDA	SHIFTING DRUM ASSY.	1
2-7	157F.10.403	SHIFTING FORK	1
2-8	157F.10.404	DECLUTCH SHIFT SHAFT	1
2-9	157F.10.440	CLUTCH SHIFT SHAFT ASSY.	1
2-10	157F.12.305	GEAR BOX COVER GASKET	1
2-11	157F.12.113	GEAR BOX AIR PIPE	1
2-12	157F.11.523	GEAR BOX AIR NOZZLE	1
2-13	GB/T308 Φ9.5	STEEL BALL Φ9.5	1
2-14	157F.10.410	SHIFTING DRUM POSITIONING SPRING	1
2-15	157F.11.407	WASHER 14.2X22X1.3	1
2-16	157F.10.409	SHIFTING DRUM POSITIONING BOLT	1
2-17	157F.11.524	CASE DRAIN NOZZLE	1
2-18	152.11.205	DRAIN PLUG M12X1.5	2
2-19	GB97.1 12	WASHER 12	2
2-20	GB/T16674 M6X12	BOLT M6X12	1
2-21	157F.11.408	WASHER 6	1
2-22	157F.11.517	DOWEL PIN 10X14	2
2-23	157F.10.427	ADJUST WASHER 15	1
2-24	GB/T276 6202	BEARING 6202	1
2-25	GB/T276 6203	BEARING 6203	1
2-26	GB/T276 6204	BEARING 6204	2
2-27	GB/T894.1 Φ20	SNAP RING Φ20	1
2-28	GB/T276 6302	BEARING 6302	1
2-29	GB/T5801 RNA4905	NEEDLE ROLLER BEARING RNA4905	1
2-30	157F.12.114	DAMPING BUSHING	2
2-31	157F.12.103	OIL SEAL 30X40X6	1
2-32	GB/T276 6205-2RZ	BEARING 6205-2RZ	1
2-33	157F.10.437	ADJUST WASHER 25	1
2-34	GB/T894.1 Φ25	SNAP RING Φ25	1
2-35	GB/T893.1 Φ52	SNAP RING Φ52	1
2-36	157F.10.480	DRIVE SPROCKET	1
2-37	157F.10.481	SPROCKET LOCKING PLATE	1
2-38	GB/T16674 M6X12	BOLT M6X12	2
2-39	157F.11.503	CABLE CLAMP	1
2-40	GB5789 M6X40	BOLT M6X40	10

**FIG . 3 SIDE COVER COMP.**



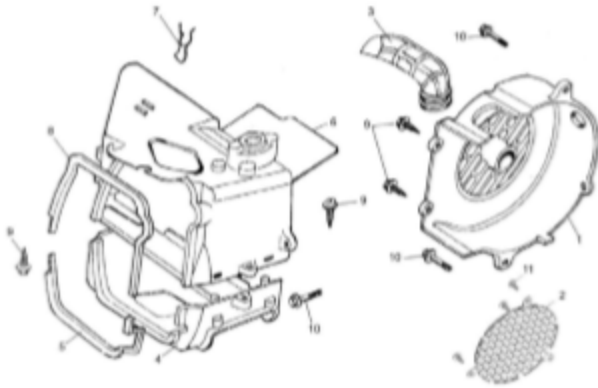
SIDE COVER COMP.			
REF NO.	PART NO.	DESCRIPTION	QTY
3-1	157F.03.003	LEFT CRANKCASE COVER	1
3-2	157F.06.300	STARTING SHAFT ASSY.	1
3-3	139.06.101	STARTING RETURN SPRING	1
3-4	157F.06.002	STARTING SHAFT BUSHING	1
3-5	157F.12.117	O-RING 13.8X2.3	1
3-6	139.11.403	WASHER	1
3-7	GB/T894.1 Φ14	SNAP RING Φ14	1
3-8	139.11.404	WASHER Φ10	1
3-9	157F.06.400	STARTING DRIVEN GEAR ASSY.	1
3-10	139.06.103	FRICTION SPRING	1
3-11	GB/T276 6200-2RZ	BEARING 6200-2RZ	1
3-14	157F.12.121	ASPIRATION CHANNEL A	1
3-15	157F.12.122	ASPIRATION CHANNEL B	1
3-16	157F.11.601	ASPIRATION CHANNEL CLIP	2
3-17	GB/T16674 M6X40	BOLT M6X40	8
3-18	157F.12.302	LEFT CRANKCASE COVER GASKET	1

**FIG . 4 RIGHT COVER . COMP**



RIGHT COVER COMP.			
REF NO.	PART NO.	DESCRIPTION	QTY
4-1	157F.03.004	RIGHT CASE COVER	1
4-2	152.12.303	RIGHT CASE COVER GASKET	1
4-3	152.09.002	OIL SCREEN SCREW PLUG	1
4-4	152.09.003-OS	OIL SCREEN	1
4-5	152.09.004	OIL SCREEN SPRING	1
4-6	152.12.201	OIL GAGE	1
4-7	152.11.508	MAGNETO WIRE CLIP	1
4-8	152.12.101	OIL SEAL 19.8X30X5	1
4-9	152.12.110	O-RING 30.8	1
4-10	152.12.108	O-RING 18X3	1
4-11	152.11.515	DOWEL PIN 8X14	2
4-12	GB/T16674 M6X28	BOLT M6X28	1
4-13	GB/T16674 M6X95	BOLT M6X95	4
4-14	GB/T16674 M6X100	BOLT M6X100	1
4-15	GB/T16674 M6X110	BOLT M6X110	2
4-16	GB/T16674 M6X35	BOLT M6X35	1
4-17	GB/T16674 M6X25	BOLT M6X25	2
4-18	GB5783 M5X12	BOLT M5X12	2

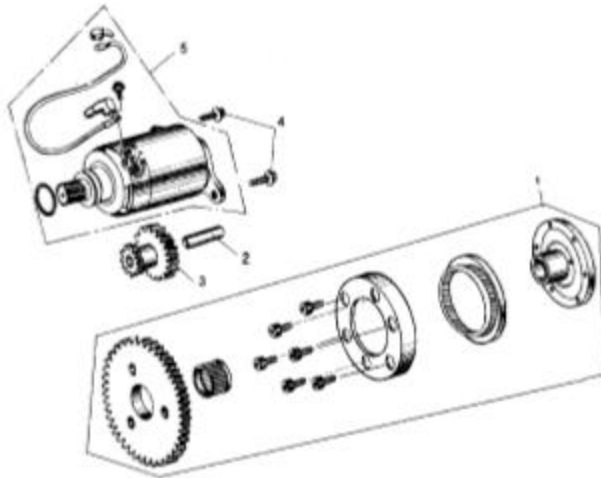
**FIG. 5 FAN/WIND GUIDE COVER**



FAN / WIND GUIDE COVER			
REF NO.	PART NO.	DESCRIPTION	QTY
5-1	152.05.002	FAN VOLUTE ASSY.	1
5-2	157A.12.305	FAN COVER CLAPBOARD	1
5-3	152.12.118	COOLING PIPE	1
5-4	152.05.004	WIND GUIDE COVER ASSY. LOWER	1
5-5	152.12.117	WIND GUIDE COVER ASSY. LOWER SEAL	1
5-6	152.05.003	WIND GUIDE COVER ASSY. UPPER	1
5-7	152.12.203	HIGH-VOLTAGE CABLE CLIP	1
5-8	152.12.116	WIND GUIDE COVER ASSY. UPPER SEAL	1
5-9	GB/T16824.2 ST4.8X16	TAPPING SCREW ST4.8X16	4
5-10	GB/T16674 M6X25	BOLT M6X25	3
5-11	GB845 ST3.8X11	TAPPING SCREW ST3.8X11	3

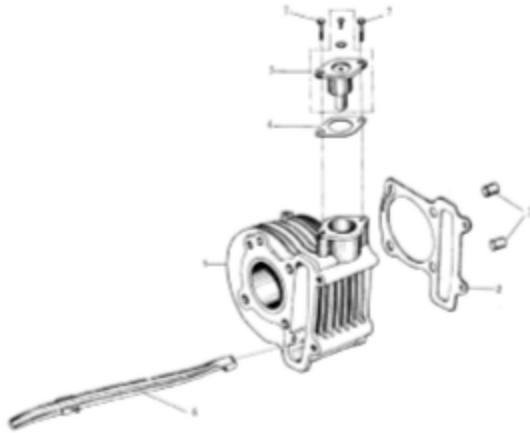


**FIG . 6 ELECTRIC START SYSTEM**



<b>ELECTRIC START SYSTEM</b>			
<b>REF NO.</b>	<b>PART NO.</b>	<b>DESCRIPTION</b>	<b>QTY</b>
6-1	152.06.100	OVERRUN CLUTCH	1
6-2	152.06.003	ELECTRIC STARTING GEAR SHAFT	1
6-3	152.06.002	STARTING GEAR	1
6-4	GB/T16674 M6X16	BOLT M6X16	2
6-5	152.07.500	STARTING MOTOR	1

**FIG. 7 CYLINDER COMP.**

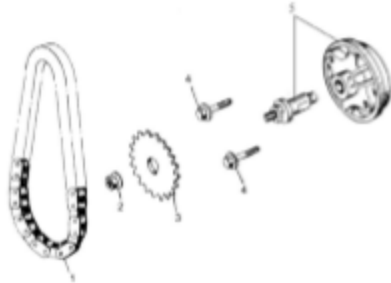


CYLINDER COMP.			
REF NO.	PART NO.	DESCRIPTION	QTY
7-1	157.04.100	CYLINDER	1
7-2	152.12.304	CYLINDER GASKET	1
7-3	152.11.516	DOWEL PIN 10X16	2
7-4	152.09.003-CAS	CHAIN ADJUSTER SPACER	1
7-5	152.02.400	CHAIN ADJUSTER ASSY.	1
7-6	152.02.602	CHAIN GUILDER	1
7-7	GB/T16674 M6X20	BOLT M6X20	1



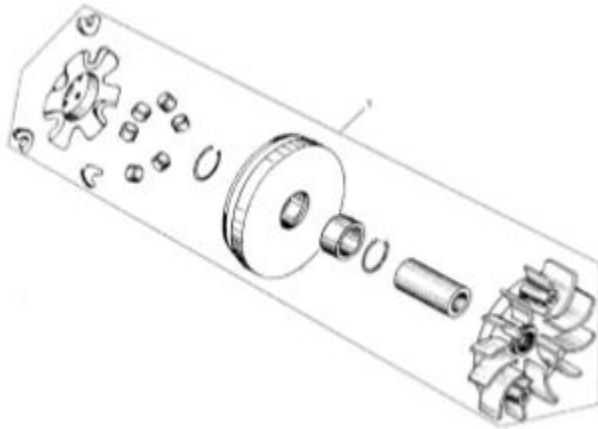
<b>CYLINDER HEAD COMP.</b>			
<b>REF NO.</b>	<b>PART NO.</b>	<b>DESCRIPTION</b>	<b>QTY</b>
8 -1	157.04.200	CYLINDER HEAD	1
8 -2	152.07.200	SPARK PLUG (C7HSA NGK)	1
8 -3	157.04.401	CYLINDER HEAD GASKET	1
8 -4	152.12.307	INSULATOR SPACER	1
8 -5	152.08.201	CARBURETOR INSULATOR	1
8 -6	152.08.200	INTAKE TUBE ASSY.	1
8 -7	152.08.210	INTAKE TUBE CLAMP COMP.	1
8 -8	152.12.111	CYLINDER HEAD COVER RUBBER GASKET	1
8 -9	152.12.109	O-RING 27X2	1
8 -10	152.12.112	CYLINDER HEAD BREATHER PIPE	1
8 -11	152.11.201	DOUBLE-END BOLT M6X32	2
8 -12	152.11.202	DOUBLE-END BOLT M6X63	2
8 -13	GB/T16674 M6X25	BOLT M6X25	4
8 -14	GB6177 M6	NUT M6	2
8 -15	152.04.301	CYLINDER HEAD COVER	1
8 -16	152.11.516	DOWEL PIN 10X16	2
8 -17	GB/T16674 M6X100	BOLT M6X100	2
8 -18	157.02.301	INTAKE VALVE	1
8 -19	152.12.104	VALVE OIL SEAL	2
8 -20	152.02.306	VALVE SPRING SEAT	2
8 -21	152.02.303-304	VALVE SPRING	2
8 -22	152.02.305	VALVE SPRING RETAINER	2
8 -23	152.02.307	VALVE LOCKING CLAMP	4
8 -24	157.02.302	EXHAUST VALVE	1

**FIG. 9 ENGINE OIL PUMP**



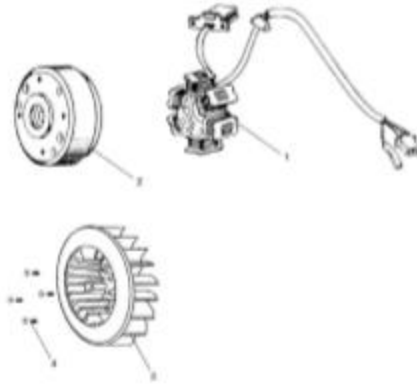
ENGINE OIL PUMP			
REF NO.	PART NO.	DESCRIPTION	QTY
9 -1	152.09.200	OIL PUMP CHAIN	1
9 -2	GB6177 M6	NUT M6	1
9 -3	152.09.005	OIL PUMP SPROCKET	1
9 -4	GB/T16674 M6X25	BOLT M6X25	2
9 -5	152.09.100	OIL PUMP ASSY.	1

**FIG. 10 DRIVING WHEEL COMP.**



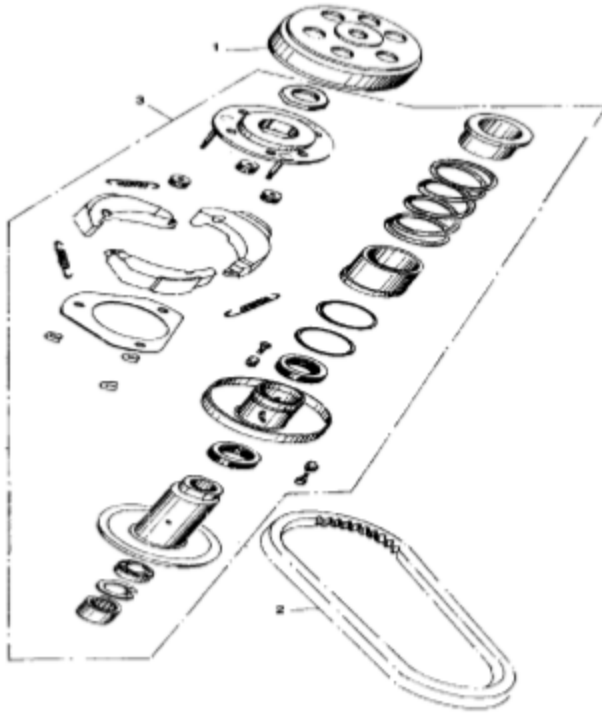
DRIVING WHEEL COMP.			
REF NO.	PART NO.	DESCRIPTION	QTY
10-1	157F.10.100	DRIVING WHEEL COMP.	1

**FIG . 11 MAGNETOR**



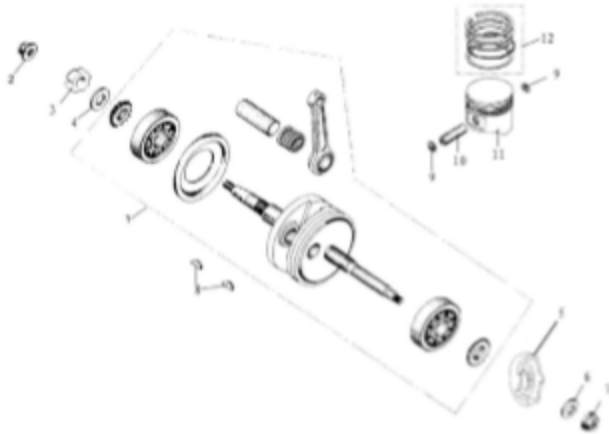
<b>MAGNETOR</b>			
<b>REF NO.</b>	<b>PART NO.</b>	<b>DESCRIPTION</b>	<b>QTY</b>
11-1	152.07.102	MAGNETO STATOR ASSY.	1
11-2	152.07.101	MAGNETO FLYING WHEEL ASSY.	1
11-3	152.05.001	FAN IMPELLER	1
11-4	GB/T16674 M6X18	BOLT M6X18	4

**FIG. 12 DRIVEN WHEEL COMP**



DRIVEN WHEEL COMP.			
REF NO.	PART NO.	DESCRIPTION	QTY
12-1	152.10.210	CLUTCH COAT ASSY.	1
12-2	152.10.300	BELT	1
12-3	152.10.200	DRIVEN WHEEL COMP.	1

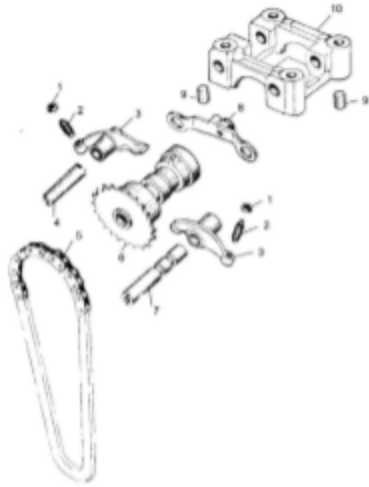
**FIG. 13 CRANK SHAFT / PISTON COMP.**



CRANKSHAFT / PISTON COMP.			
REF NO.	PART NO.	DESCRIPTION	QTY
13-1	157F.01.100	CRANKSHAFT	1
13-2	GB6187 M12X1.25	SELF-LOCKING NUT M12X1.25	1
13-3	152.11.301	LOCKING NUT M22X1	1
13-4	152.11.402	WASHER 22X31X2.5	1
13-5	157F.06.001	RATCHET WHEEL	1
13-6	157F.11.403	WASHER 15.2X25X2.3	1
13-7	GB6177 M12X1.25X11	NUT M12X1.25X11	1
13-8	152.11.101	WOODRUFF KEY 4X14	2
13-9	152.01.307	PISTON PIN SNAP RING	2
13-10	157.01.306	PISTON PIN	1
13-11	157.01.301	PISTON	1
13-12	157.01.302-305	PISTON RING	1



**FIG. 14 TIMING SYSTEM**



TIMING SYSTEM			
REF NO.	PART NO.	DESCRIPTION	QTY
14-1	152.02.106	VALVE ADJUSTING NUT	2
14-2	152.02.105	VALVE LASH ADJUSTING SCREW	2
14-3	152.02.102	VALVE ROCKET	2
14-4	152.02.104	EXHAUST VALVE ROCKER SHAFT	1
14-5	152.02.500	CAMSHAFT DRIVING CHAIN	1
14-6	152.02.200	CAMSHAFT COMP.	1
14-7	152.02.103	INTAKE VALVE ROCKER SHAFT	1
14-8	152.02.107	STOPPING PLATE	1
14-9	152.11.516	DOWEL PIN 10X16	2
14-10	152.02.101	CAMSHAFT FIXING BRACKET	1